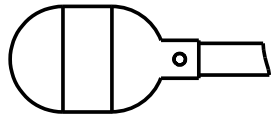
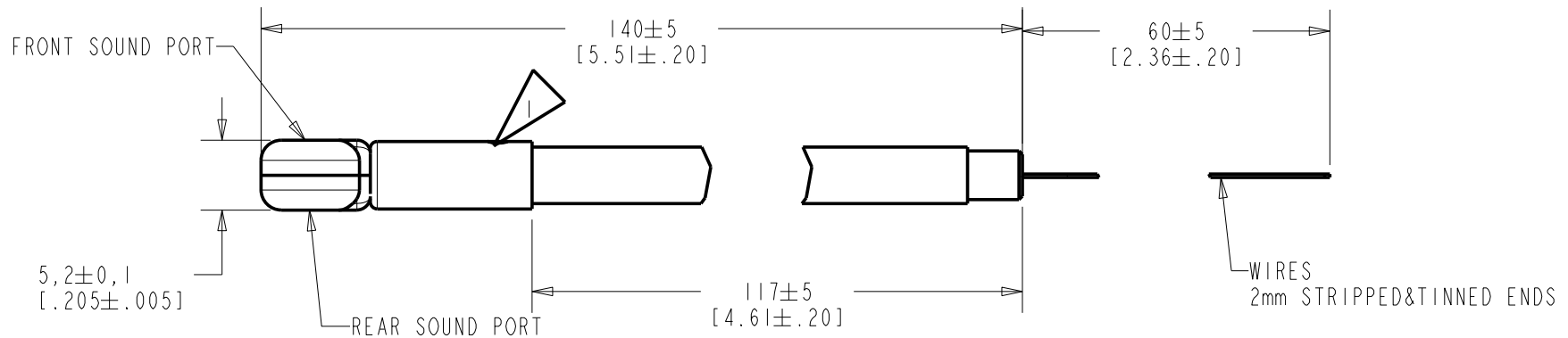
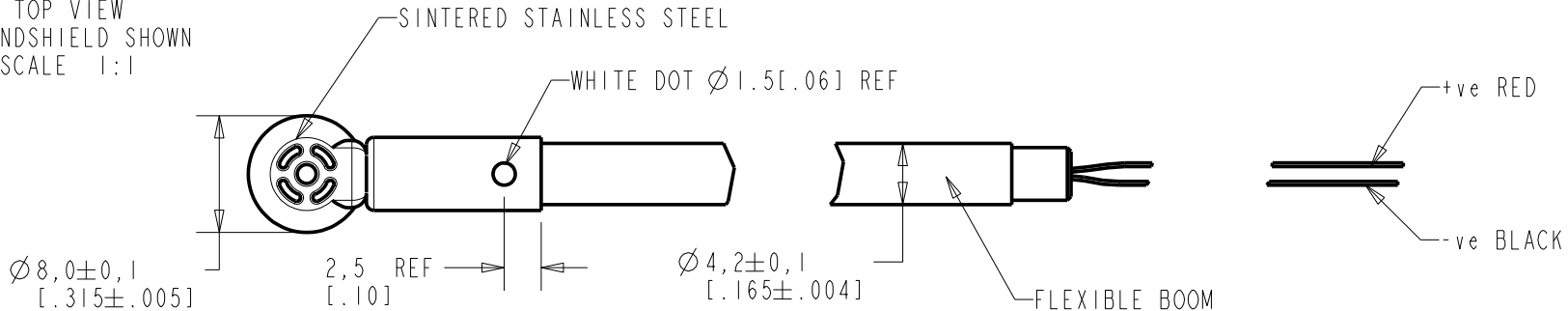


FB-DE-30291-000
SHT 1.1

THE FRONT SOUND PORT IS ADJACENT TO THE MODEL NUMBER IDENTIFICATION.



TOP VIEW
W/WINDSHIELD SHOWN
SCALE 1:1



WIRE COLOR			WEIGHT GRAMS
+ve	OUTPUT	-ve	
RED	-	BLACK	t.b.d.

DIMENSIONS IN MILLIMETERS [INCHES]

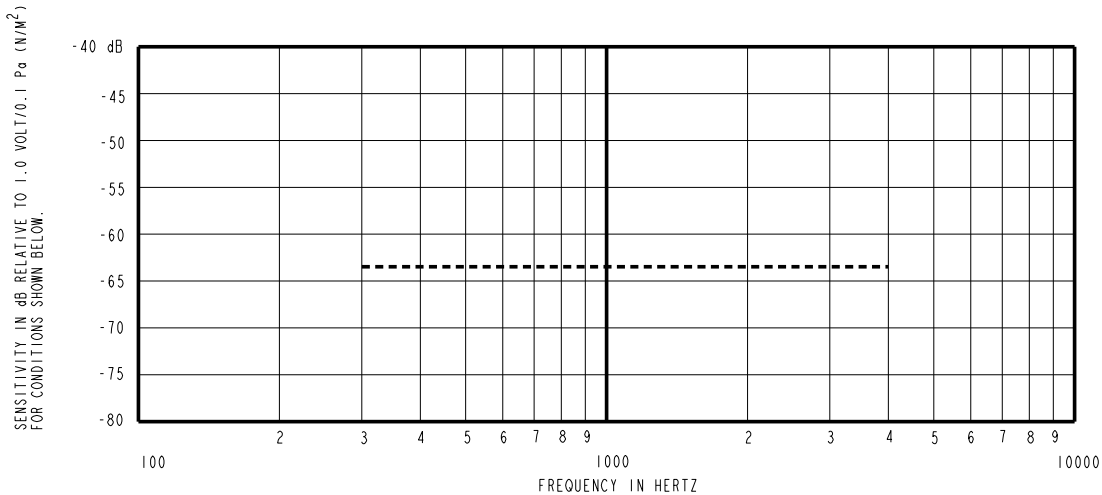
Revision	C.O. #	Implementation Date	RELEASE LEVEL	REVISION
B	CI0107745	8-1-08	Active	B
A	CI0107378	6-3-08		

SCALE: 2:1	DR. BY TT	DATE 6-3-08
DO NOT SCALE DRAWING	CK. BY GJP	DATE 6-30-08
TITLE: BOOM MICROPHONE	APP. BY GJP	DATE 6-30-08
OUTLINE DRAWING		Rev: B

KNOWLES ELECTRONICS
ITASCA, ILLINOIS U.S.A.

FB-DE-30291-000

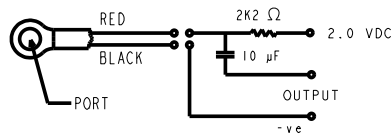
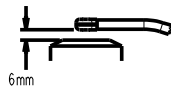
SHT 1.1



FREQUENCY	SENSITIVITY			DEVICE CONFORMITY	
	MIN.	NOM.	MAX.	RANGE OF DEVIATION FROM 1KHz	
300	---	-63.5	---	-3.0	+3.0
1000	-66.5	-63.5	-60.5	-0.0	+0.0
4000	---	-63.5	---	-3.0	+3.0

NOTES:

- MICROPHONE TO BE FUNCTIONAL WITH 10 VDC SUPPLY.
- SENSITIVITY VALUES INDICATED ON THIS SPECIFICATION ARE VALID AT 50% HUMIDITY.
- TEST CONDITIONS:
HEAD OF BOOM EXPOSED TO 74 dB SPL SWEPT
SOUND FIELD AT 6mm FROM VOICE APERTURE.
ARTIFICIAL VOICE:
B & K 4227 MOUTH SIMULATOR.
- FOR MICROPHONE CAPSULE SPEC. SEE MB6022ASC-1.



LEAD IDENTIFICATION
& TEST CIRCUIT

Revision	C.O. #	Implementation Date	RELEASE LEVEL	REVISION
B	C10107745	8-1-08	Active	B
A	C10107378	6-3-08		

KNOWLES ELECTRONICS
ITASCA, ILLINOIS U.S.A.

WHEN TEST LIMITS ARE USED TO ESTABLISH INCOMING INSPECTION ACCEPTANCE/REJECTION CRITERIA, CORRELATION OF TEST EQUIPMENT WITH KNOWLES IS ALSO REQUIRED FOR ELIMINATION OF EQUIPMENT AND TEST METHOD VARIATION

TITLE: **BOOM MICROPHONE** **FB-DE-30291-000**
PERFORMANCE SPECIFICATION **SHT 2.1**

DR. BY	DATE
TT	6-3-08
CK. BY	DATE
GJP	6-30-08
APP. BY	DATE
GJP	6-30-08