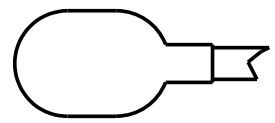
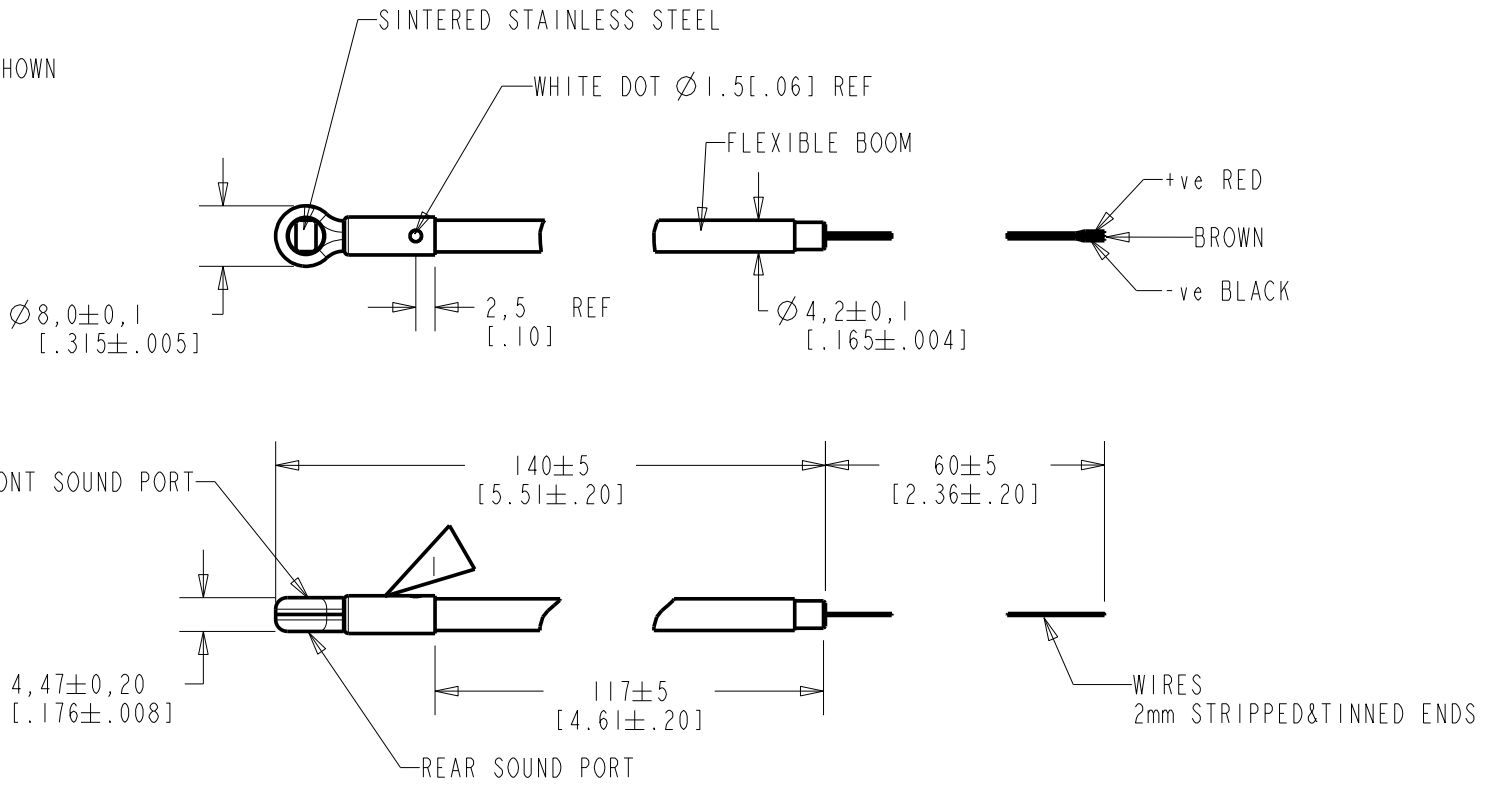


FB-DW-30295-000
SHT 1.1

THE FRONT SOUND PORT IS ADJACENT TO THE MODEL NUMBER IDENTIFICATION.



TOP VIEW
W/WINDSHIELD SHOWN
SCALE 1:1

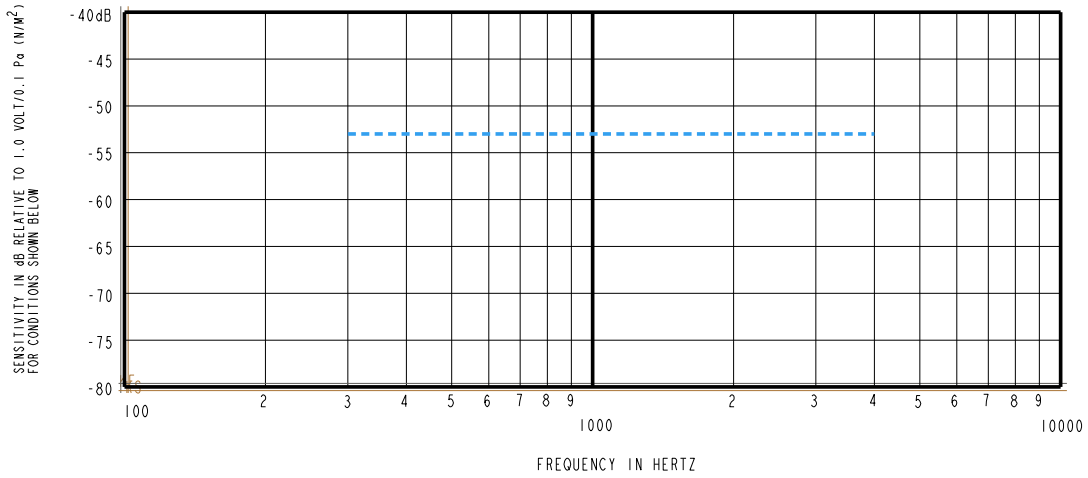


| WIRE COLOR | | | WEIGHT GRAMS |
|------------|--------|-------|--------------|
| +ve | OUTPUT | -ve | |
| RED | BROWN | BLACK | 13.1 |

DIMENSIONS IN MILLIMETERS [INCHES]

| Revision | C.O. # | Implementation Date | RELEASE LEVEL | REVISION |
|---|-----------|----------------------|--------------------------|-----------------------|
| B | C10107745 | 8-4-08 | Active | B |
| A | C10107109 | 3-17-08 | | |
| SCALE: 1:1 | | DO NOT SCALE DRAWING | | DR. BY TT DATE 3-4-08 |
| TITLE: BOOM MICROPHONE FB-DW-30295-000 | | | APP. BY GJP DATE 3-27-08 | |
| OUTLINE DRAWING | | | SHT 1.1 | GJP DATE 3-27-08 |

KNOWLES ELECTRONICS
ITASCA, ILLINOIS U.S.A.

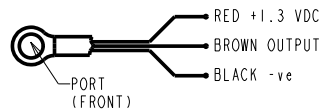
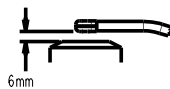


NOTES:

1. MICROPHONE TO BE FUNCTIONAL WITH 10 VDC SUPPLY.
2. SENSITIVITY VALUES INDICATED ON THIS SPECIFICATION ARE VALID AT 50% HUMIDITY.
3.

| SENSITIVITY | | | |
|-------------|-------|-------|-------|
| FREQUENCY | MIN | NOM | MAX |
| 300 | --- | -53.0 | --- |
| 1000 | -56.0 | -53.0 | -50.0 |
| 4000 | --- | -53.0 | --- |

| DEVICE CONFORMITY | |
|------------------------------|------|
| RANGE OF DEVIATION FROM 1KHz | |
| -4.0 | +4.0 |
| -0.0 | +0.0 |
| -4.0 | +4.0 |
4. TEST CONDITIONS:
 HEAD OF BOOM EXPOSED TO 74 dB SPL SWEPT SOUND FIELD AT 6mm FROM VOICE APERTURE.
 ARTIFICIAL VOICE: B & K 4227 MOUTH SIMULATOR.
5. FOR MICROPHONE CAPSULE SPEC. SEE NR-25994-000 SHEET 2.1



LEAD IDENTIFICATION

KNOWLES ELECTRONICS
 ITASCA, ILLINOIS U.S.A.

| Revision | C.O. # | Implementation Date | RELEASE LEVEL | REVISION |
|---|-----------|---------------------|--|---|
| B | C10107745 | 8-4-08 | Active | B |
| A | C10107109 | 3-17-08 | | |
| <small>WHEN TEST LIMITS ARE USED TO ESTABLISH INCOMING INSPECTION ACCEPTANCE/REJECTION CRITERIA, CORRELATION OF TEST EQUIPMENT WITH KNOWLES IS ALSO REQUIRED FOR ELIMINATION OF EQUIPMENT AND TEST METHOD VARIATION</small> | | | | DR. BY: TT DATE: 3-4-08 CK. BY: GJP DATE: 3-27-08 APP. BY: GJP DATE: 3-27-08 |
| TITLE: BOOM MICROPHONE PERFORMANCE SPECIFICATION | | | FB-DW-30295-000 SHT 2.1 | |