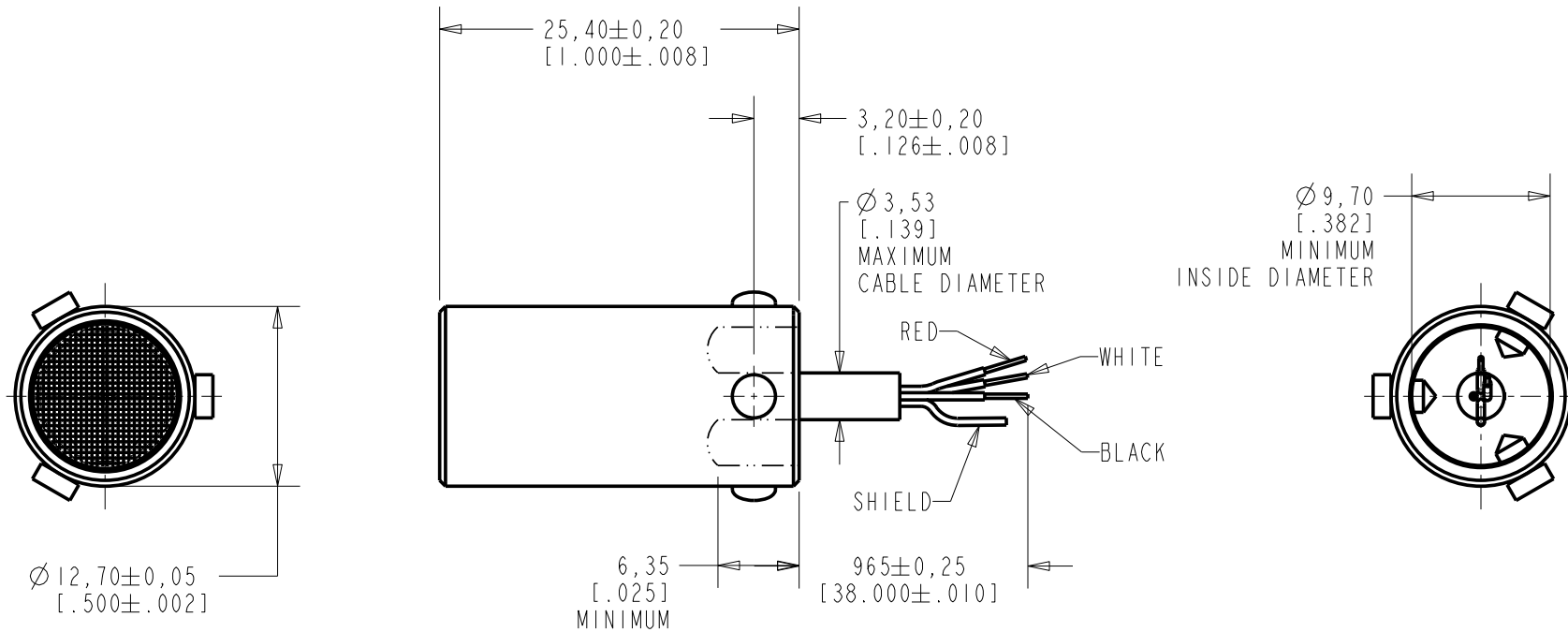


BL-21994-000  
SHT 1.1



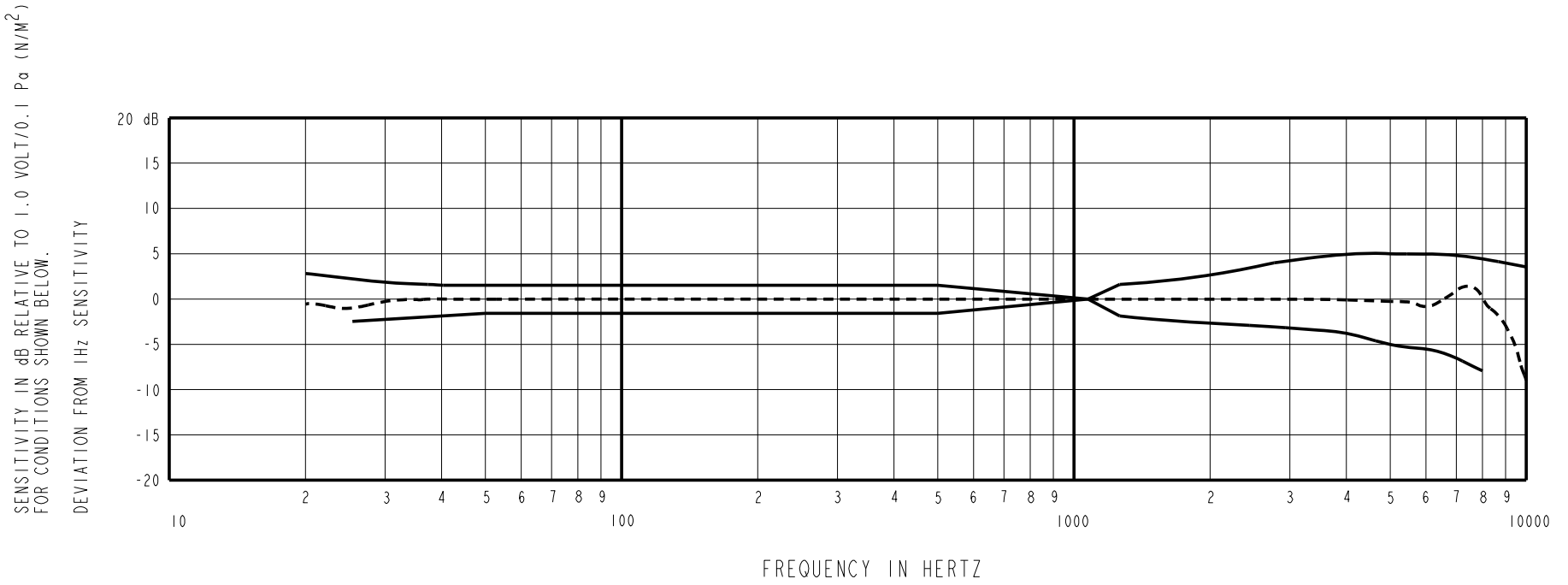
NOMINAL WEIGHT  
27.0 GRAMS

DIMENSIONS IN MILLIMETERS [INCHES]

| Revision | C.O. #    | Implementation Date | RELEASE LEVEL | REVISION |
|----------|-----------|---------------------|---------------|----------|
| C        | MI0103141 | 11-09-09            | Active        | C        |
| B        | MI0103202 | 10-16-09            |               |          |
| A        | MI0101208 | 10-30-06            |               |          |

|                      |            |              |         |          |
|----------------------|------------|--------------|---------|----------|
| SCALE:               | 1:1        |              | DR. BY  | DATE     |
| DO NOT SCALE DRAWING |            |              | MMM     | 10-30-06 |
| TITLE:               | MICROPHONE | BL-21994-000 | CK. BY  | DATE     |
| OUTLINE DRAWING      |            | SHT 1.1      | GJP     | 11-6-06  |
|                      |            |              | APP. BY | DATE     |
|                      |            |              | GJP     | 11-6-06  |

**KNOWLES ELECTRONICS**  
ITASCA, ILLINOIS U.S.A.



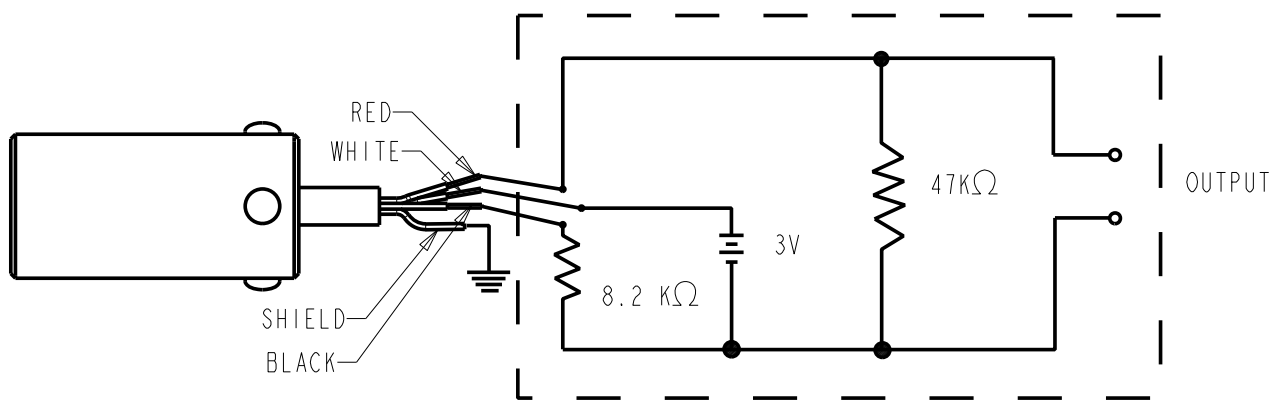
| FREQUENCY | SENSITIVITY |       |       | DEVICE CONFORMITY             |      |
|-----------|-------------|-------|-------|-------------------------------|------|
|           | MIN.        | NOM.  | MAX.  | RANGE OF DEVIATION FROM 1 kHz |      |
| 20        | ---         | ---   | ---   | ---                           | +3.0 |
| 25        | ---         | ---   | ---   | -2.5                          | +2.0 |
| 31.5      | ---         | ---   | ---   | -2.0                          | +1.5 |
| 40        | ---         | ---   | ---   | -1.5                          | +1.0 |
| 50        | ---         | ---   | ---   | -1.0                          | +1.0 |
| 800       | ---         | ---   | ---   | -1.0                          | +1.0 |
| 1000      | -72.0       | -69.0 | -66.0 | 0.0                           | 0.0  |
| 1250      | ---         | ---   | ---   | -1.5                          | +1.5 |
| 1600      | ---         | ---   | ---   | -2.0                          | +2.0 |
| 2000      | ---         | ---   | ---   | -2.5                          | +2.5 |
| 2500      | ---         | ---   | ---   | -3.0                          | +3.5 |
| 3150      | ---         | ---   | ---   | -3.5                          | +4.5 |
| 4000      | ---         | ---   | ---   | -4.0                          | +5.0 |
| 5000      | ---         | ---   | ---   | -5.0                          | +5.0 |
| 6300      | ---         | ---   | ---   | -6.0                          | +5.0 |
| 8000      | ---         | ---   | ---   | -7.5                          | +4.5 |
| 10000     | ---         | ---   | ---   | ---                           | +3.5 |

NOTES:

- CASE CONNECTED TO NEGATIVE TERMINAL.

| DC SUPPLY | BATTERY CURRENT DRAIN | "A" WEIGHTED NOISE<br>(1 kHz EQUIV. SPL)<br>IN 3 WIRE MODEL | OUTPUT IMPEDANCE OHMS |      |      | OUTER HOUSING TO SHIELD |              |
|-----------|-----------------------|---|-----------------------|------|------|-------------------------|--------------|
|           |                       |   | MIN.                  | NOM. | MAX. | MIN.                    | MAX.         |
| 3.0 V     | 160 $\mu$ A MAX.      | 34 dB MAX.  | ---                   | 4000 | ---  | ---                     | 3.0 $\Omega$ |

TEST CONDITIONS



| Revision | C.O. #    | Implementation Date | RELEASE LEVEL | REVISION |
|----------|-----------|---------------------|---------------|----------|
| C        | M10103141 | 11-09-09            | Active        | C        |
| B        | M10103202 | 10-16-09            |               |          |
| A        | M10101208 | 10-30-06            |               |          |

**KNOWLES ELECTRONICS**  
ITASCA, ILLINOIS U.S.A.

WHEN TEST LIMITS ARE USED TO ESTABLISH INCOMING INSPECTION ACCEPTANCE/REJECTION CRITERIA, CORRELATION OF TEST EQUIPMENT WITH KNOWLES IS ALSO REQUIRED FOR ELIMINATION OF EQUIPMENT AND TEST METHOD VARIATION

TITLE: **MICROPHONE**  
PERFORMANCE SPECIFICATION

**BL-21994-000**  
SHT 2.1

| DR. BY  | DATE     |
|---------|----------|
| MMM     | 10-30-06 |
| CK. BY  | DATE     |
| GJP     | 11-6-06  |
| APP. BY | DATE     |
| GJP     | 11-6-06  |