
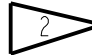
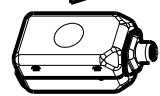
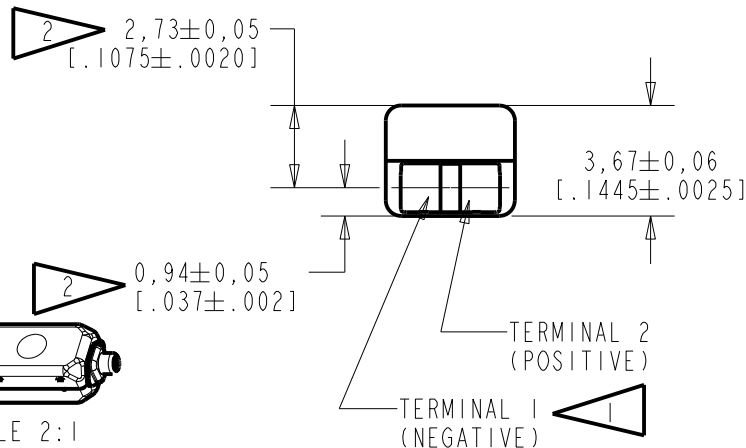
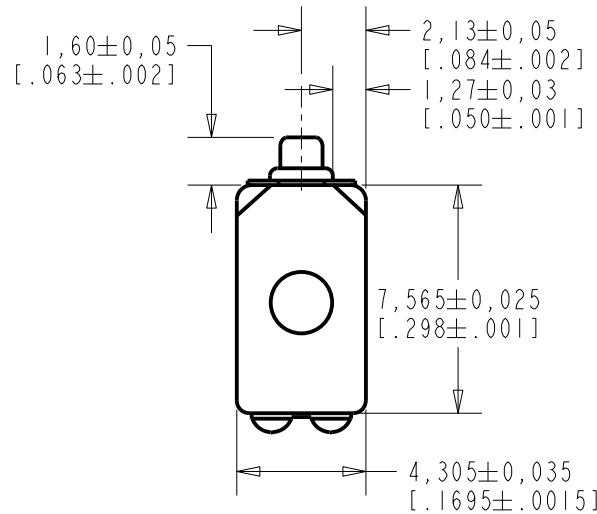


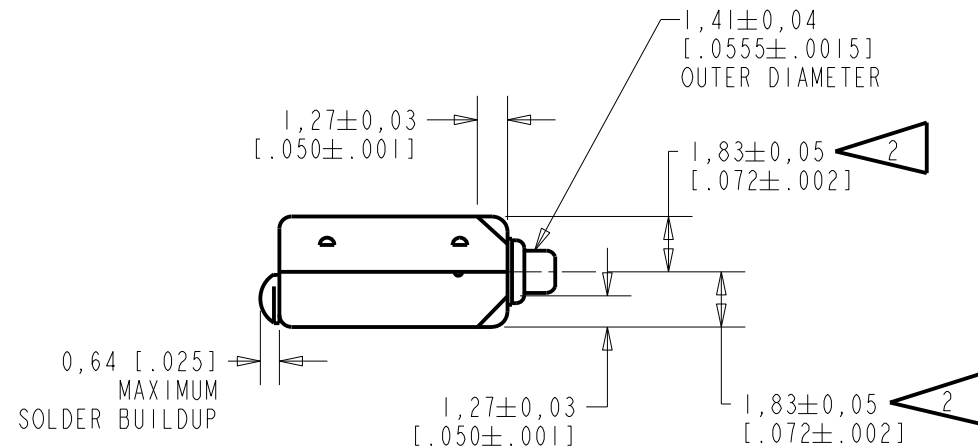
NOTE:

-  A POSITIVE GOING VOLTAGE AT TERMINAL 2, RELATIVE TO TERMINAL 1, CAUSES A DECREASE IN PRESSURE AT THE SOUND OUTLET.
-  LOCATED FROM TWO SURFACES FOR CUSTOMER CONVENIENCE. ONLY APPLICABLE FROM ONE SURFACE, NOT TO BE USED TOGETHER.



SCALE 2:1
NOMINAL WEIGHT
.42 GRAMS

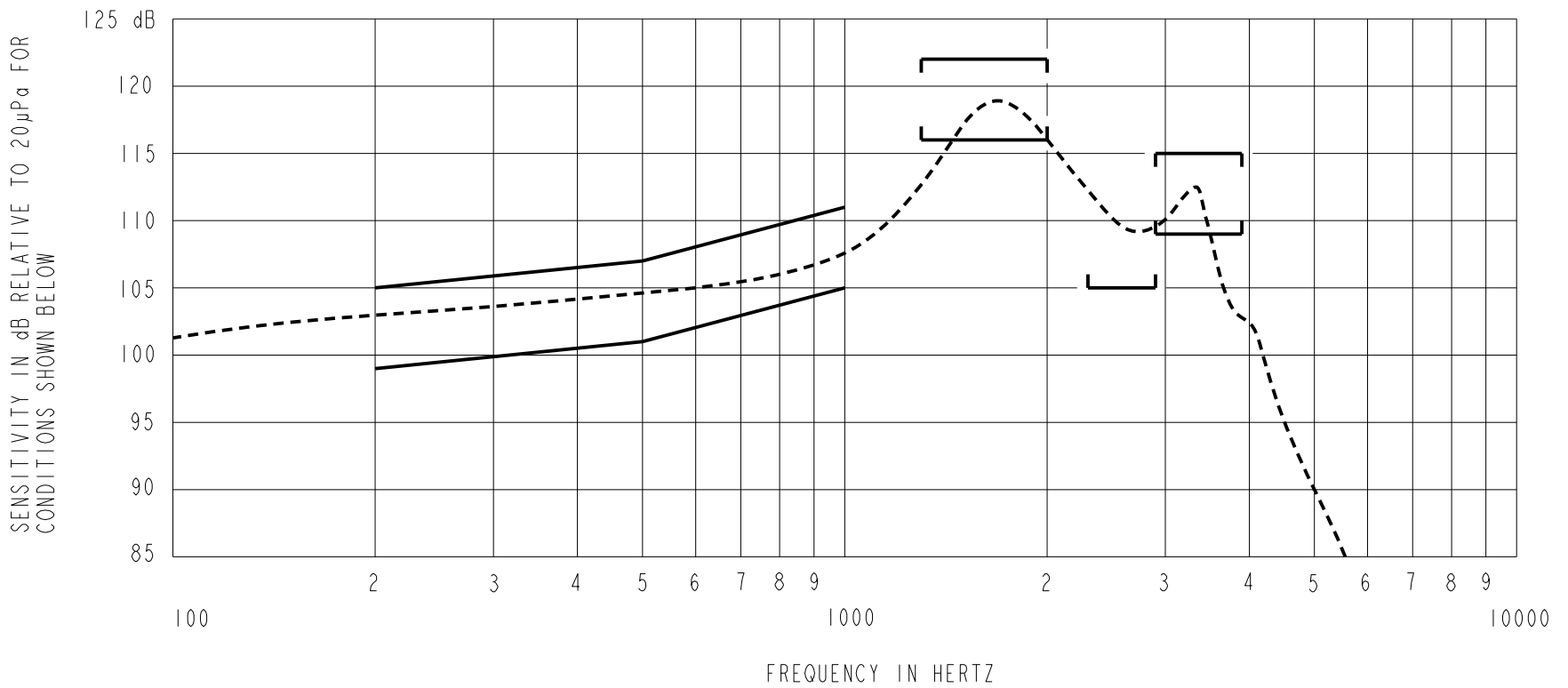
DIMENSIONS IN MILLIMETERS [INCHES]



Revision	C.O. #	Implementation Date	RELEASE LEVEL	REVISION
C	CI0115009	8-1-13	Active	C
B	CI0106330	9-3-07		
A	CI0103430	11-18-05		

SCALE: 4:1		DR. BY	DATE
DO NOT SCALE DRAWING		CRG	11-18-05
TITLE: RECEIVER		CK. BY	DATE
OUTLINE DRAWING		GJP	11-22-05
EC-26368-000		APP. BY	DATE
SHT 1.1		GJP	11-22-05

KNOWLES ELECTRONICS
ITASCA, ILLINOIS U.S.A.



NOTES:

1. MEASUREMENTS MADE USING 10mm (.394") OF 1mm (.039") ID TUBE CONNECTED TO A SIMULATED ANSI S3.7 TYPE HA-3 COUPLER . (IEC 60318-5).

2. SENSITIVITY

FREQUENCY	MIN.	MAX.
200	99.0	105.0
500	101.0	107.0
1000	105.0	111.0
1300-2000	116.0	122.0
2300-2900	105.0	---
2900-3900	109.0	115.0

- 3. RESPONSE, IMPEDANCE, AND DISTORTION MEASUREMENTS MADE USING THE ELECTRICAL TEST CONDITIONS SHOWN BELOW.
- 4. ELECTRICAL SOURCE IMPEDANCE MUST BE GREATER THAN 20 TIMES 1KHz IMPEDANCE FOR TEST CONDITIONS SHOWN BELOW.
- 5. INDIVIDUAL SPECIFICATIONS:

PORT LOCATION	IMPEDANCE OHMS ±15%		DCR @20°C OHMS ±10%	DISTORTION		ELECTRICAL TEST CONDITIONS	
	1KHz	500Hz		MAX. %	FREQ Hz	AC mA RMS	DC mA
12S	100	54	26.3	10	800	2.19	0

Revision	C.O. #	Implementation Date	RELEASE LEVEL	REVISION
C	C10115009	8-1-13	Active	C
B	C10106330	9-3-07		
A	C10103430	11-18-05		

KNOWLES ELECTRONICS
ITASCA, ILLINOIS U.S.A.

WHEN TEST LIMITS ARE USED TO ESTABLISH INCOMING INSPECTION ACCEPTANCE/REJECTION CRITERIA, CORRELATION OF TEST EQUIPMENT WITH KNOWLES IS ALSO REQUIRED FOR ELIMINATION OF EQUIPMENT AND TEST METHOD VARIATION

TITLE: **RECEIVER** **EC-26368-000**
PERFORMANCE SPECIFICATION **SHT 2.1**

DR. BY	DATE
CRG	11-18-05
CK. BY	DATE
GJP	11-22-05
APP. BY	DATE
GJP	11-22-05