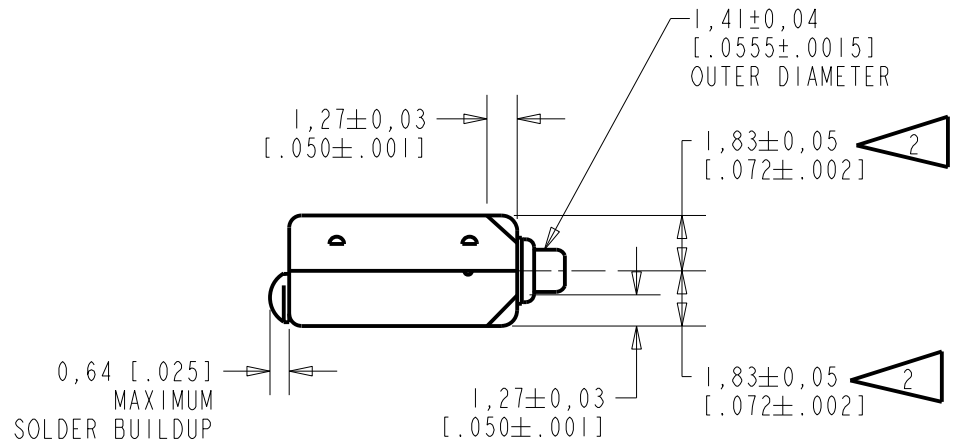
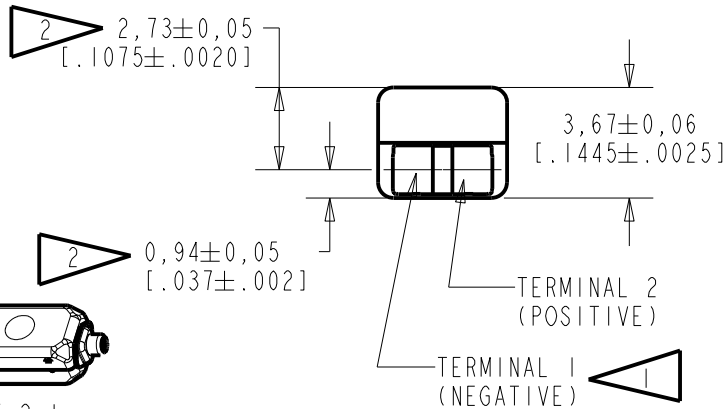
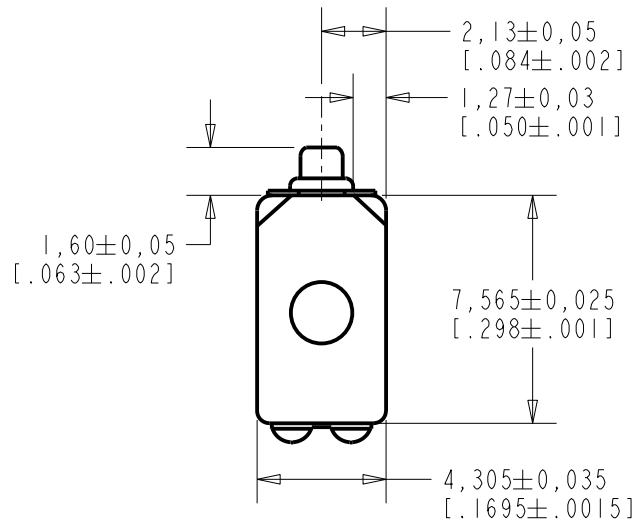


EC-27817-000

SHT 1.1

NOTE:

- 1 A POSITIVE GOING VOLTAGE AT TERMINAL 2, RELATIVE TO TERMINAL 1, CAUSES A DECREASE IN PRESSURE AT THE SOUND OUTLET.
- 2 LOCATED FROM TWO SURFACES FOR CUSTOMER CONVENIENCE. ONLY APPLICABLE FROM ONE SURFACE, NOT TO BE USED TOGETHER.



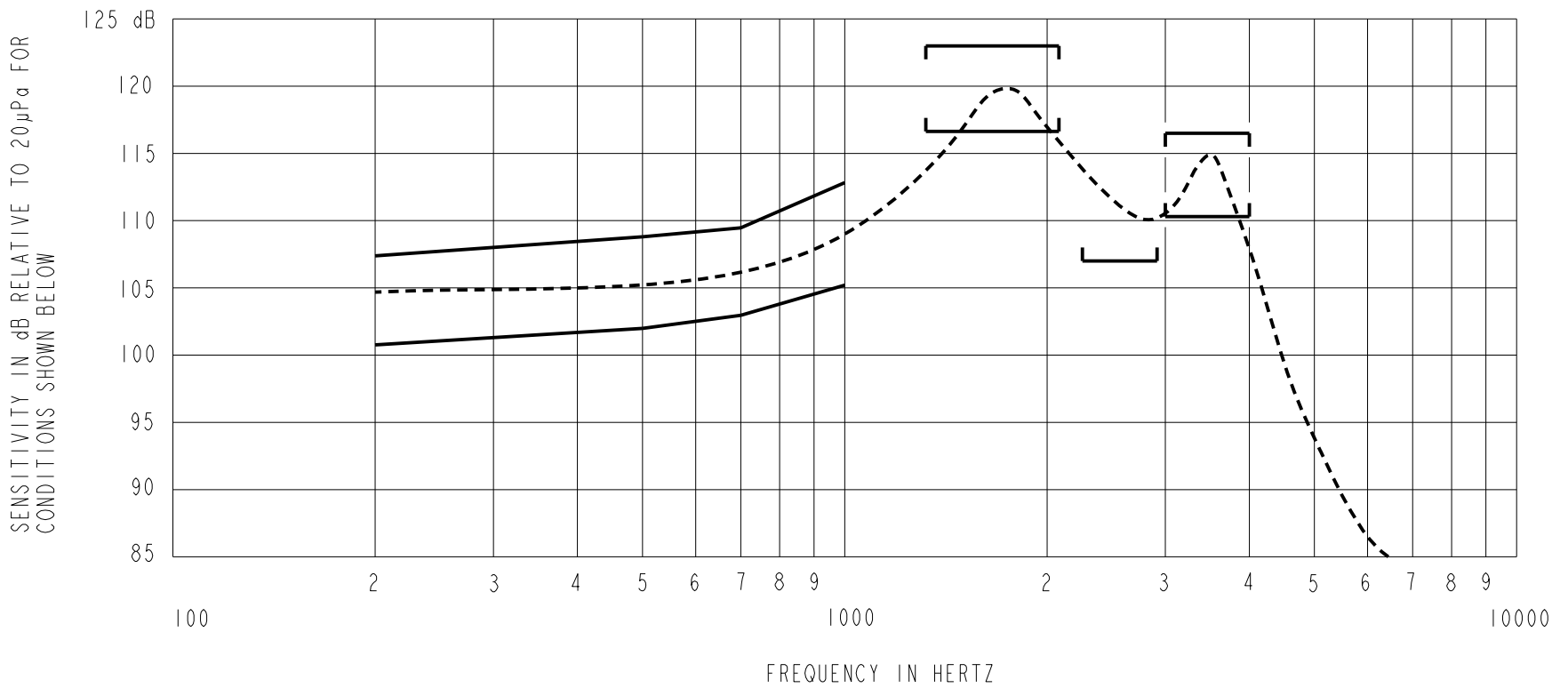
SCALE 2:1
NOMINAL WEIGHT
.42 GRAMS

DIMENSIONS IN MILLIMETERS [INCHES]

KNOWLES ELECTRONICS
ITASCA, ILLINOIS U.S.A.

Revision	C.O. #	Implementation Date	RELEASE LEVEL	REVISION
			Active	D
D	CI0115009	8-2-13		

SCALE: 4:1		DR. BY	DATE
DO NOT SCALE DRAWING		CRG	11-23-05
TITLE: RECEIVER		CK. BY	DATE
OUTLINE DRAWING		GJP	11-22-05
EC-27817-000		APP. BY	DATE
SHT 1.1		GJP	11-22-05



NOTES:

1. MEASUREMENTS MADE USING 10mm (.394") OF 1mm (.039") ID TUBE CONNECTED TO A SIMULATED ANSI S3.7 TYPE HA-3 (IEC 60318-5)

2. SENSITIVITY

FREQUENCY	MIN.	MAX.
200	101.0	107.0
500	102.0	108.0
1000	105.0	111.0
1400-2100	117.0	123.0
2300-2900	107.0	---
3000-4000	111.0	117.0

- 3. RESPONSE, IMPEDANCE, AND DISTORTION MEASUREMENTS MADE USING THE ELECTRICAL TEST CONDITIONS SHOWN BELOW.
- 4. ELECTRICAL SOURCE IMPEDANCE MUST BE GREATER THAN 20 TIMES 1KHz IMPEDANCE FOR TEST CONDITIONS SHOWN BELOW.
- 5. INDIVIDUAL SPECIFICATIONS:

PORT LOCATION	IMPEDANCE OHMS ±15%		DCR @20°C OHMS ±10%	DISTORTION		ELECTRICAL TEST CONDITIONS	
	1KHz	500Hz		MAX. %	FREQ Hz	AC mA RMS	DC mA
12S	154	78.6	40.5	10	800	1.76	0.0

Revision	C.O. #	Implementation Date	RELEASE LEVEL	REVISION
			Active	D
D	C10115009	8-2-13		

WHEN TEST LIMITS ARE USED TO ESTABLISH INCOMING INSPECTION ACCEPTANCE/REJECTION CRITERIA, CORRELATION OF TEST EQUIPMENT WITH KNOWLES IS ALSO REQUIRED FOR ELIMINATION OF EQUIPMENT AND TEST METHOD VARIATION		DR. BY	DATE
TITLE: RECEIVER PERFORMANCE SPECIFICATION		CRG	11-23-05
		CK. BY	DATE
EC-27817-000 SHT 2.1		GJP	11-22-05
		APP. BY	DATE
		GJP	11-22-05

KNOWLES ELECTRONICS
ITASCA, ILLINOIS U.S.A.