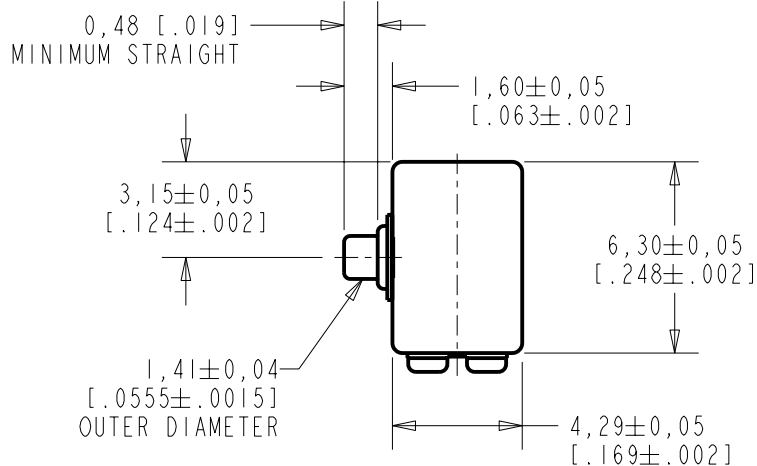


ED-21975-A21

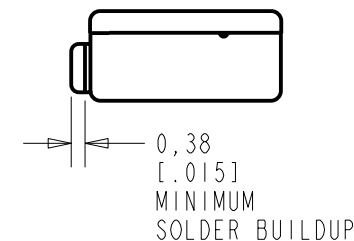
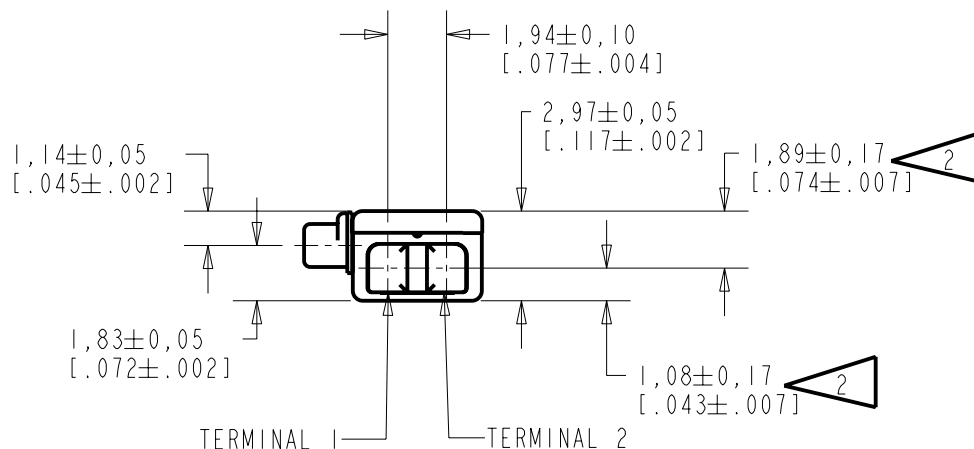
SHT 1.1



NOTE:

1 A POSITIVE GOING VOLTAGE AT TERMINAL 2, RELATIVE TO TERMINAL 1, CAUSES A DECREASE IN PRESSURE AT THE SOUND OUTLET.

2 LOCATED FROM TWO SURFACES FOR CUSTOMER CONVENIENCE. ONLY APPLICABLE FROM ONE SURFACE, NOT TO BE USED TOGETHER. HORIZONTAL LOCATION FOR TERMINAL CENTERED TO ±0,17 [ .007 ].

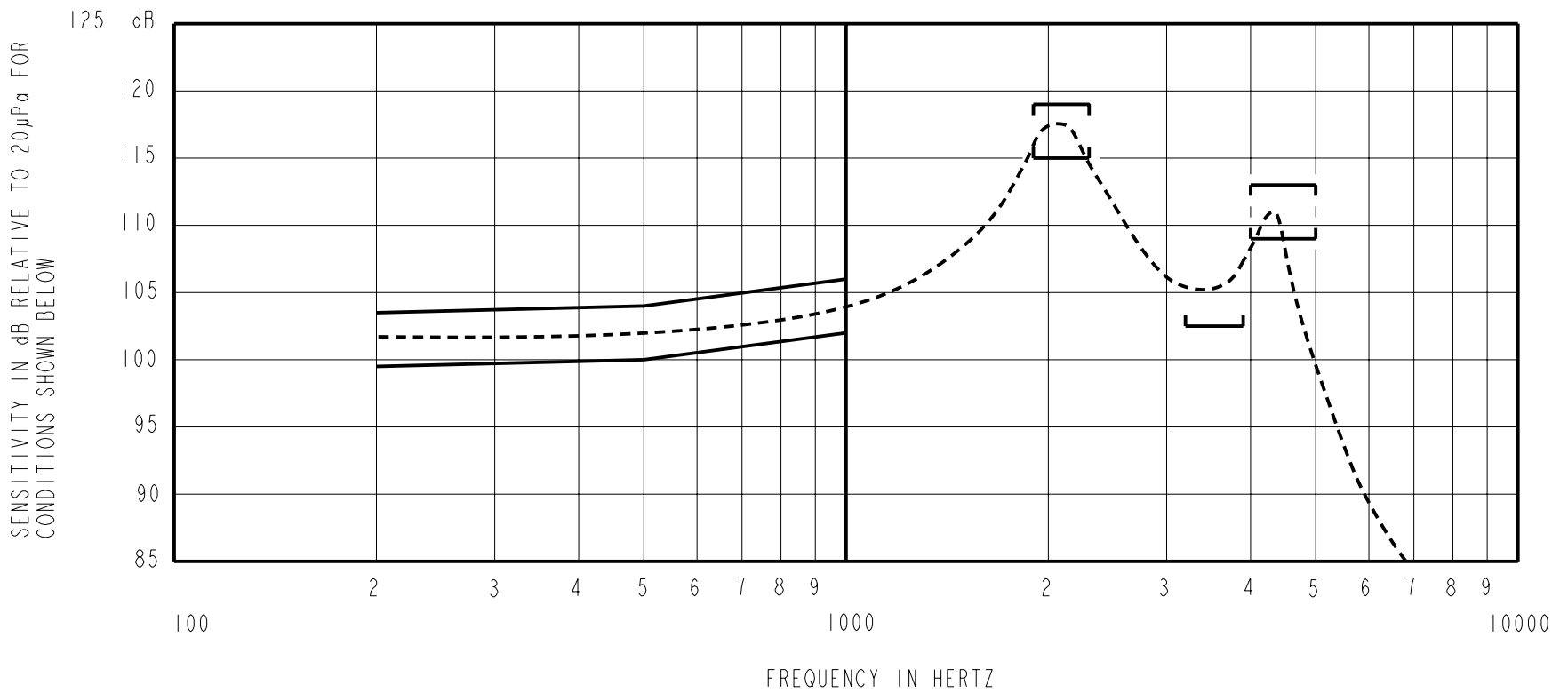


NOMINAL WEIGHT  
.31 GRAM

DIMENSIONS IN MILLIMETERS [ INCHES ]

**KNOWLES ELECTRONICS**  
ITASCA, ILLINOIS U.S.A.

Revision	C.O. #	Implementation Date	RELEASE LEVEL	REVISION
A	CI0105948	7-3-07	Released	A
SCALE: 4:1			DR. BY	DATE
DO NOT SCALE DRAWING			LSY	7-3-07
TITLE: RECEIVER			CK. BY	DATE
OUTLINE DRAWING			GJP	7-9-07
ED-21975-A21			APP. BY	DATE
SHT 1.1			GJP	7-9-07



NOTES:

1. MEASUREMENTS MADE USING 10mm (.394") X 1mm (.039") ID TUBE CONNECTED TO A SIMULATED ANSI S3.7-1973 TYPE HA-3 COUPLER. (IEC 126).

2. SENSITIVITY

FREQUENCY	MIN.	MAX.
200	99.5	103.5
500	100.0	104.0
1000	102.0	106.0
1900-2300	115.0	119.0
3200-3900	102.5	---
4000-5000	109.0	113.0

- 3. RESPONSE, IMPEDANCE, AND DISTORTION MEASUREMENTS MADE USING THE ELECTRICAL TEST CONDITIONS SHOWN BELOW.
- 4. ELECTRICAL SOURCE IMPEDANCE MUST BE GREATER THAN 20 TIMES 1KHz IMPEDANCE FOR TEST CONDITIONS SHOWN BELOW.
- 5. INDIVIDUAL SPECIFICATIONS.

PORT LOCATION	IMPEDANCE OHMS ±15%		DCR @20°C OHMS ±10%	DISTORTION		ELECTRICAL TEST CONDITIONS	
	1KHz	500Hz		MAX. %	FREQ Hz	AC mA RMS	DC mA
9C	1450	780	376	5	800	0.50	0.70

6. SUFFIX DESCRIPTIONS:

- 1) ADD SOLDER TO TERMINALS TO MEET A .015" MINIMUM HEIGHT SPEC.
- 2) APPLY ADDITIONAL CEMENT TO THE PERIMETER OF EH TERMINALS AT COVER WELD.

Revision	C.O. #	Implementation Date	RELEASE LEVEL	REVISION
			Released	A
A	C10105948	7-3-07		
WHEN TEST LIMITS ARE USED TO ESTABLISH INCOMING INSPECTION ACCEPTANCE/REJECTION CRITERIA, CORRELATION OF TEST EQUIPMENT WITH KNOWLES IS ALSO REQUIRED FOR ELIMINATION OF EQUIPMENT AND TEST METHOD VARIATION			DR. BY	DATE
TITLE: RECEIVER PERFORMANCE SPECIFICATION			ED-21975-A21	LSY 7-3-07
			SHT 2.1	GJP 7-9-07
			APP. BY	DATE
			GJP	7-9-07

**KNOWLES ELECTRONICS**  
ITASCA, ILLINOIS U.S.A.