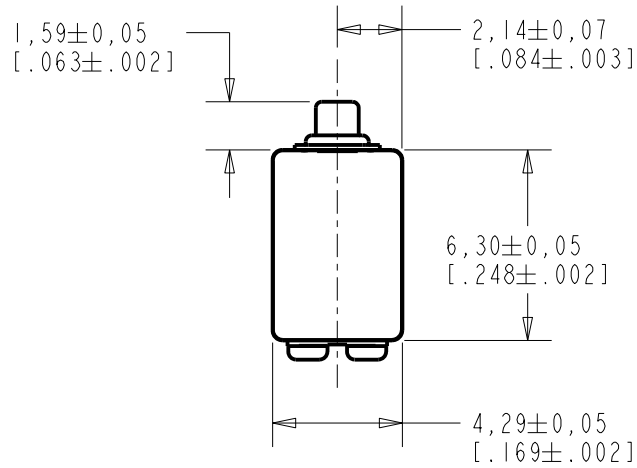
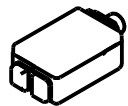
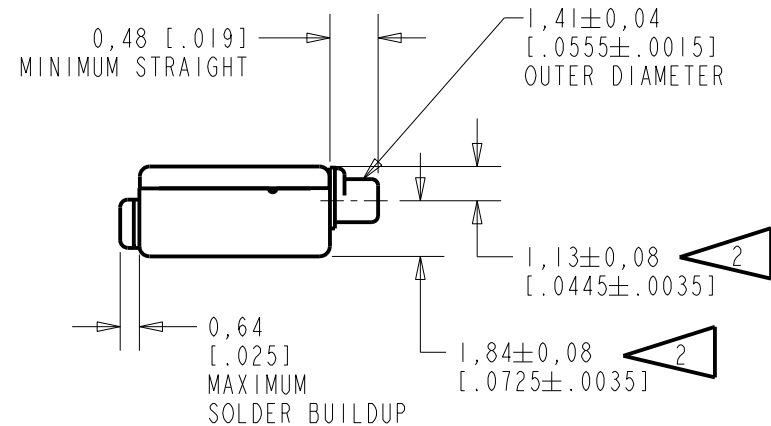
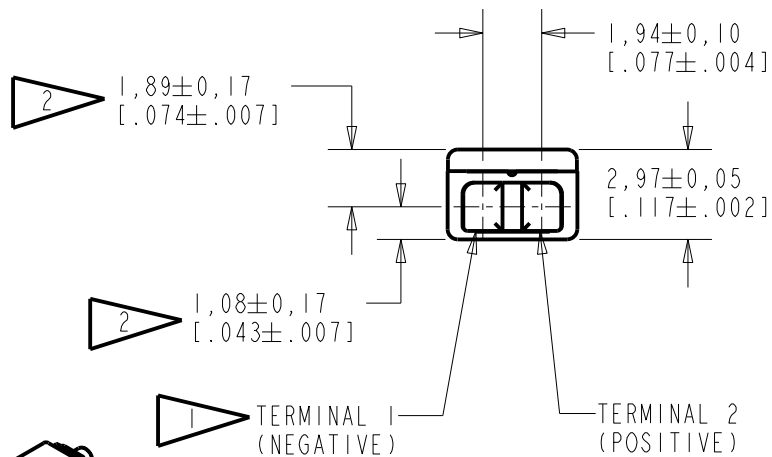


ED-23994-000
SHT 1.1



NOTE:

- 1 A POSITIVE GOING VOLTAGE AT TERMINAL 2, RELATIVE TO TERMINAL 1, CAUSES A DECREASE IN PRESSURE AT THE SOUND OUTLET.
- 2 LOCATED FROM TWO SURFACES FOR CUSTOMER CONVENIENCE. ONLY APPLICABLE FROM ONE SURFACE, NOT TO BE USED TOGETHER. HORIZONTAL LOCATION FOR TERMINAL CENTERED TO ±0,17 [.007].



SCALE 2:1

NOMINAL WEIGHT
.31 GRAM

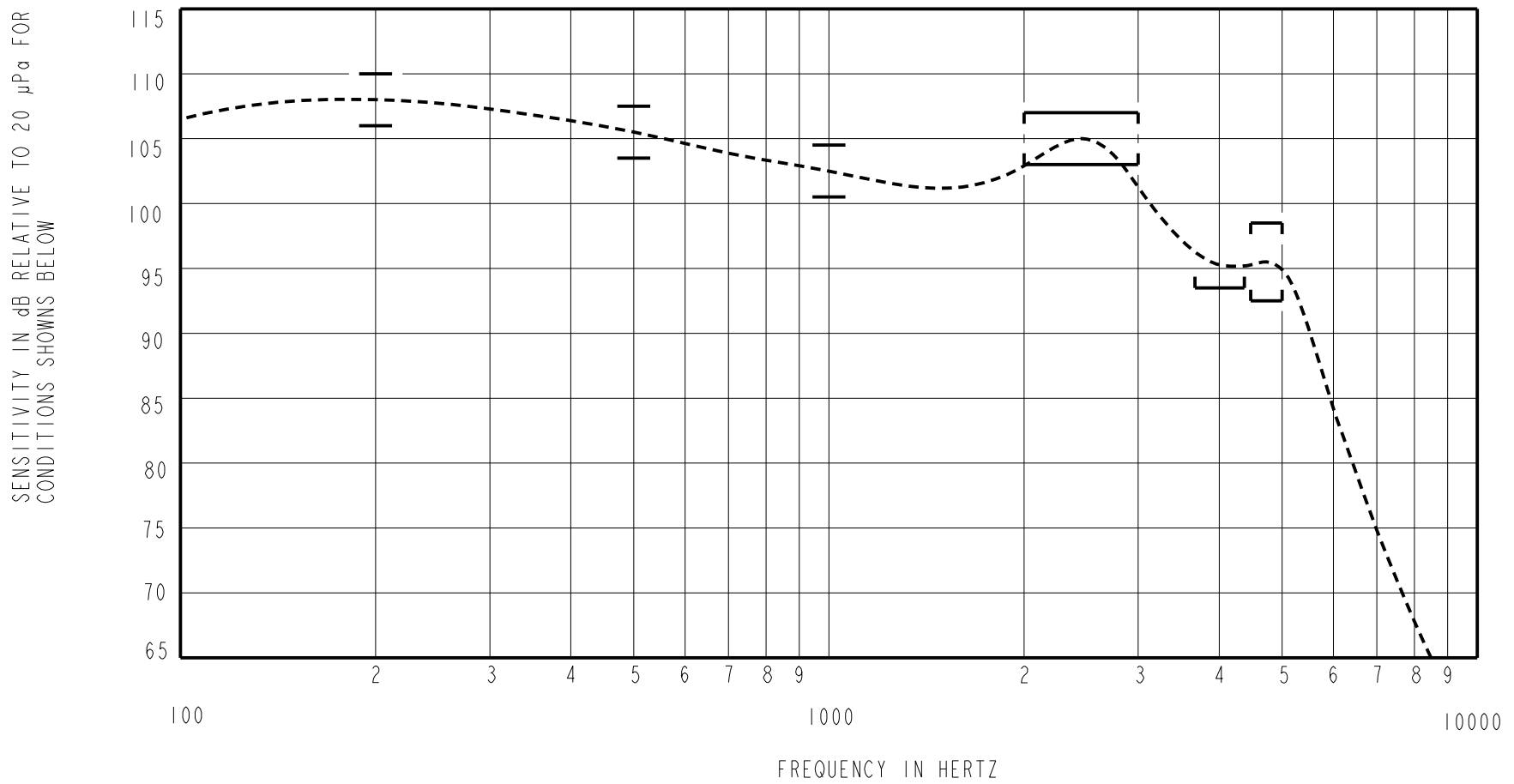
DIMENSIONS IN MILLIMETERS [INCHES]

Revision	C.O. #	Implementation Date	RELEASE LEVEL	REVISION
C	C10113486	5-17-12	Active	C
B	C10107990	8-20-08		
A	C10103825	1-24-06		

SCALE: 2:1		DR. BY	DATE
DO NOT SCALE DRAWING		CRG	1-24-06
TITLE: RECEIVER		ED-23994-000	CK. BY
OUTLINE DRAWING		SHT 1.1	GJP
		APP. BY	DATE
		GJP	1-25-06

KNOWLES ELECTRONICS
ITASCA, ILLINOIS U.S.A.

CONSTANT VOLTAGE DRIVE CONDITIONS



ACOUSTICAL

SENSITIVITY
DEVICE WILL PRODUCE THE SPL LISTED BELOW UNDER TEST CONDITIONS DESCRIBED IN TABLE 3.
NOMINAL SENSITIVITY AT 1kHz IS dB RELATIVE TO 20µPa. ALL OTHER VALUES
IN dB RELATIVE TO THE SENSITIVITY AT 1kHz.

FREQUENCY (Hz)	MINIMUM	NOMINAL	MAXIMUM
200	+3.5	+5.5	+7.5
500	+1.0	+3.0	+5.0
1000	-2.0	102.5	+2.0
2000-3000	+0.5	+2.5	+4.5
3700-4400	-9.0	---	-1
4500-5000	-10.0	-7.0	-4.0

TABLE 1

TOTAL HARMONIC DISTORTION
DEVICE WILL NOT EXCEED TOTAL HARMONIC DISTORTION LEVELS LISTED BELOW.

FREQUENCY (Hz)	AC DRIVE (V rms)	DC BIAS (mA)	LIMIT (%)
500	0.571	0	10
780	0.204	0	5
1175	0.204	0	5

TABLE 2

TEST CONDITIONS

NOMINAL SOURCE VOLTAGE	0.204 V rms, 0mA DC BIAS
SOURCE IMPEDANCE	<1 Ohm
TUBING	10mm [.394"] LONG, 1mm [.039"] I.D.
COUPLER CAVITY	2 CM ³ , SIMULATED ANSI S3.7 TYPE HA-3 (IEC 60318-5)

TABLE 3

ELECTRICAL

DC RESISTANCE	43 OHMS ± 10%
IMPEDANCE @ 500 Hz	80 OHMS ± 15%
IMPEDANCE @ 1 kHz	138 OHMS ± 15%

TABLE 4

ISOLATION: CASE WILL BE ELECTRICALLY ISOLATED FROM THE COIL CIRCUIT.

PORT LOCATION: 12C

SOLDER TYPE: SAC305
TEMPERATURE

OPERATING: SENSITIVITY WILL NOT VARY
MORE THAN +1/-3 dB FROM
-17°C TO 63°C

STORAGE: -40°C TO 63°C

Revision	C.O. #	Implementation Date	RELEASE LEVEL	REVISION
C	C10113486	5-17-12	Active	C
B	C10107990	8-20-08		
A	C10103825	1-24-06		

WHEN TEST LIMITS ARE USED TO ESTABLISH INCOMING INSPECTION ACCEPTANCE/REJECTION CRITERIA, CORRELATION OF TEST EQUIPMENT WITH KNOWLES IS ALSO REQUIRED FOR ELIMINATION OF EQUIPMENT AND TEST METHOD VARIATION

TITLE: **RECEIVER**
PERFORMANCE SPECIFICATION

ED-23994-000
SHT 2.1

DR. BY	DATE
CRG	1-24-06
CK. BY	DATE
GJP	1-25-06
APP. BY	DATE
GJP	1-25-06

KNOWLES ELECTRONICS
ITASCA, ILLINOIS U.S.A.