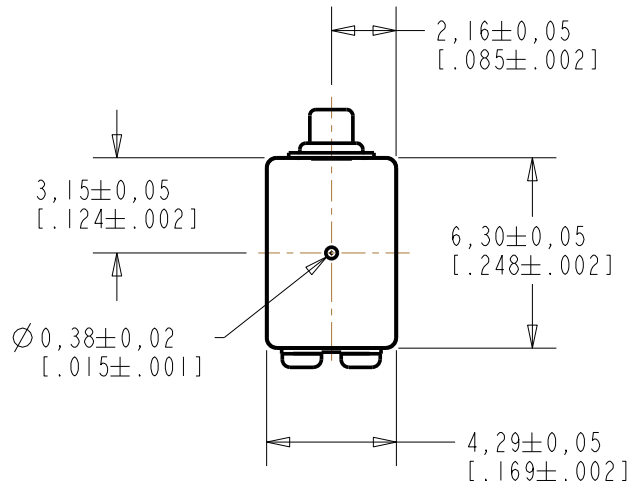
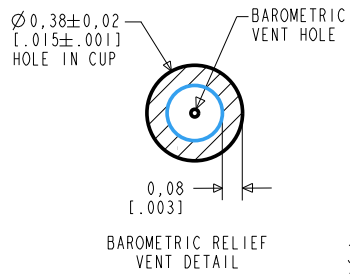


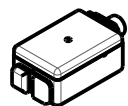
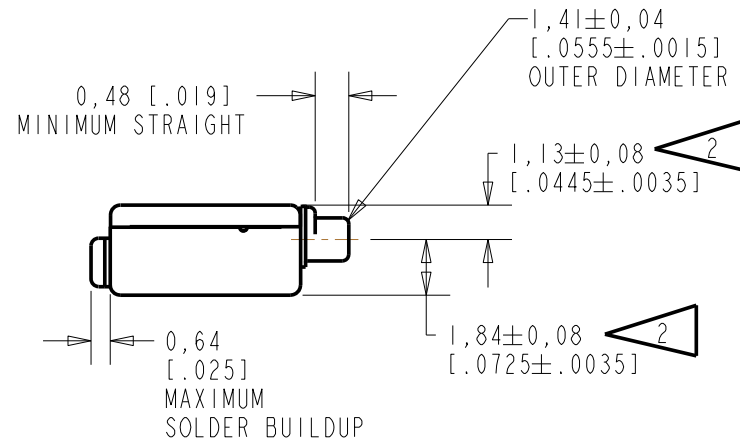
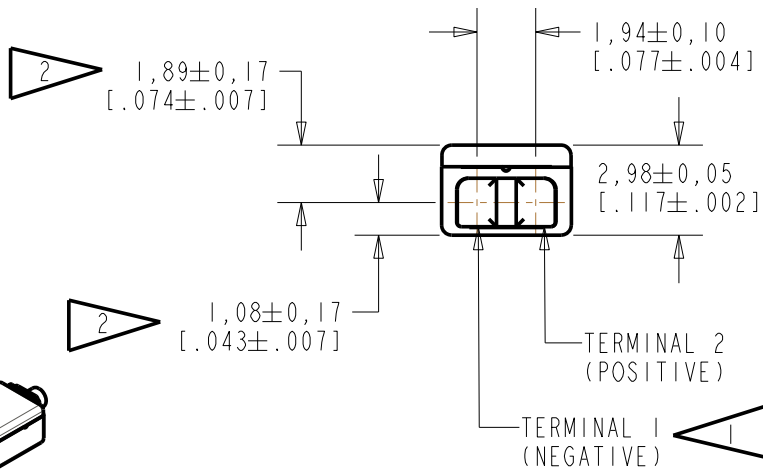
FED-26861-106

SHT 1.1



NOTE:

- 1 A POSITIVE GOING VOLTAGE AT TERMINAL 2, RELATIVE TO TERMINAL 1, CAUSES A DECREASE IN PRESSURE AT THE SOUND OUTLET.
- 2 LOCATED FROM TWO SURFACES FOR CUSTOMER CONVENIENCE. ONLY APPLICABLE FROM ONE SURFACE, NOT TO BE USED TOGETHER. HORIZONTAL LOCATION FOR TERMINAL CENTERED TO  $\pm 0,17$  [0.007].



SCALE 2:1

NOMINAL WEIGHT  
.31 GRAMS

DIMENSIONS IN MILLIMETERS [INCHES]

Revision	C.O. #	Implementation Date	RELEASE LEVEL	REVISION
			Active	D
D	C10107990	11-13-08		

SCALE:

4:1

DO NOT SCALE DRAWING

TITLE:

RECEIVER

FED-26861-106

OUTLINE DRAWING

SHT 1.1

DR. BY	DATE
CRG	1-13-06
CK. BY	DATE
GJP	1-13-06
APP. BY	DATE
GJP	1-13-06

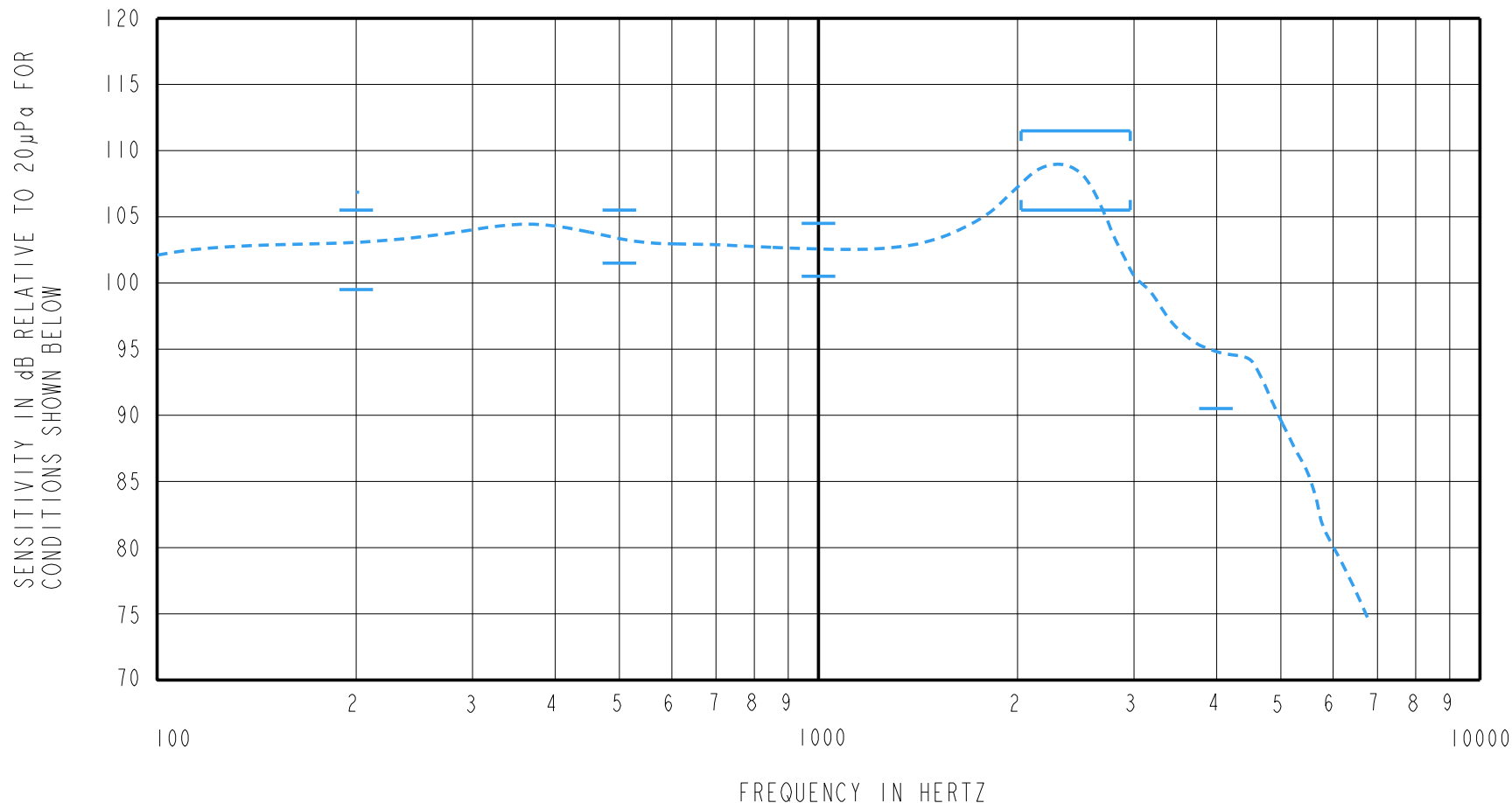
**KNOWLES ELECTRONICS**  
ITASCA, ILLINOIS U.S.A.

THE FED-26861-106 IS A FERROFLUID AND TYPE III DAMPED FED-7304-106 RECEIVER WITH EXTERNAL VENT AND A PEAK OF 6dB RELATIVE TO THE SENSITIVITY AT 1kHz UNDER CONSTANT VOLTAGE DRIVE CONDITIONS. THIS MODEL HAS INCREASED DCR/IMPEDANCE RATIO.

FERROFLUID AND  
TYPE III DAMPING

FED-26861-106  
SHEET 2.1

CONSTANT VOLTAGE DRIVE CONDITIONS



ACOUSTICAL

SENSITIVITY  
DEVICE WILL PRODUCE THE SPL LISTED BELOW UNDER TEST CONDITIONS DESCRIBED IN TABLE 3.  
NOMINAL SENSITIVITY AT 1kHz IS dB RELATIVE TO 20µPa. ALL OTHER VALUES  
IN dB RELATIVE TO THE SENSITIVITY AT 1kHz.

FREQUENCY (Hz)	MINIMUM	NOMINAL	MAXIMUM
200	-3.0	0.0	+3.0
500	-1.0	+1.0	+3.0
1000	-2.0	102.5	+2.0
2000 - 3000	+3.0	+6.0	+9.0
4000	-12.0	---	---

PORT LOCATION: 12C

TABLE 1

TOTAL HARMONIC DISTORTION  
DEVICE WILL NOT EXCEED TOTAL HARMONIC DISTORTION LEVELS LISTED BELOW.

FREQUENCY (Hz)	AC DRIVE (V rms)	DC BIAS (mA)	LIMIT (%)
500	1.02	0	10
830	0.362	0	5
1250	0.362	0	5

TABLE 2

TEST CONDITIONS

NOMINAL SOURCE VOLTAGE	0.362 V rms, 0mA DC BIAS
SOURCE IMPEDANCE	<1 Ohm
TUBING	10mm [.394"] LONG, 1mm [.039"] I.D.
COUPLER CAVITY	2 CM <sup>3</sup> , SIMULATED ANSI S3.7 TYPE HA-3 (IEC 126)

TABLE 3

ELECTRICAL

DC RESISTANCE	201 OHMS ± 10%
IMPEDANCE @ 500 Hz	280 OHMS ± 15%
IMPEDANCE @ 1 kHz	408 OHMS ± 15%

TABLE 4

ISOLATION: CASE WILL BE ELECTRICALLY ISOLATED FROM THE COIL CIRCUIT.  
BAROMETRIC RELIEF: THE AIR FLOW THROUGH THE BAROMETRIC RELIEF VENT TO BE 1.0 TO 2.5 CC/MIN WHEN AIR PRESSURE OF 15 INCHES WATER (3736 Pa) IS APPLIED TO THE PORT APERTURE.

TEMPERATURE: OPERATING RANGE FROM 0°C TO 63°C (SENSITIVITY WILL NOT VARY BY MORE THAN ±3 dB WITHIN RANGE)  
SENSITIVITY AT 0°C IS 2dB LOWER THAN THE SENSITIVITY AT ROOM TEMPERATURE.  
DELTA PEAK IS 1dB HIGHER AT BODY TEMPERATURE (37°C)  
STORAGE RANGE FROM -40°C TO 63°C.

Revision	C.O. #	Implementation Date	RELEASE LEVEL	REVISION
			Active	D
D	C10107990	11-13-08		
WHEN TEST LIMITS ARE USED TO ESTABLISH INCOMING INSPECTION ACCEPTANCE/REJECTION CRITERIA, CORRELATION OF TEST EQUIPMENT WITH KNOWLES IS ALSO REQUIRED FOR ELIMINATION OF EQUIPMENT AND TEST METHOD VARIATION				
TITLE: RECEIVER		FED-26861-106		DR. BY DATE
PERFORMANCE SPECIFICATION		SHT 2.1		CRG 1-13-06
				CK. BY DATE
				GJP 1-13-06
				APP. BY DATE
				GJP 1-13-06

KNOWLES ELECTRONICS  
ITASCA, ILLINOIS U.S.A.