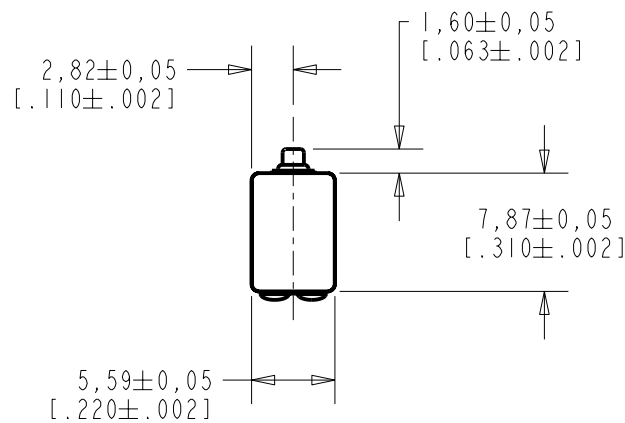


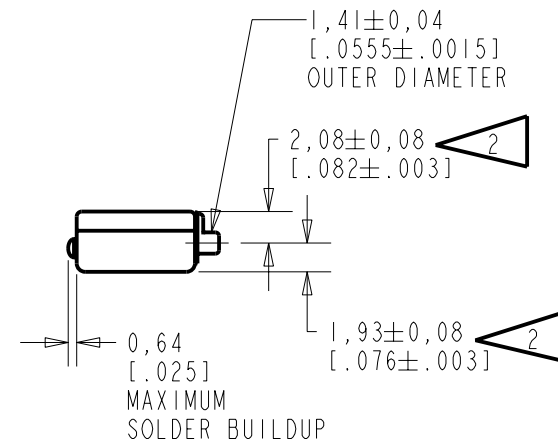
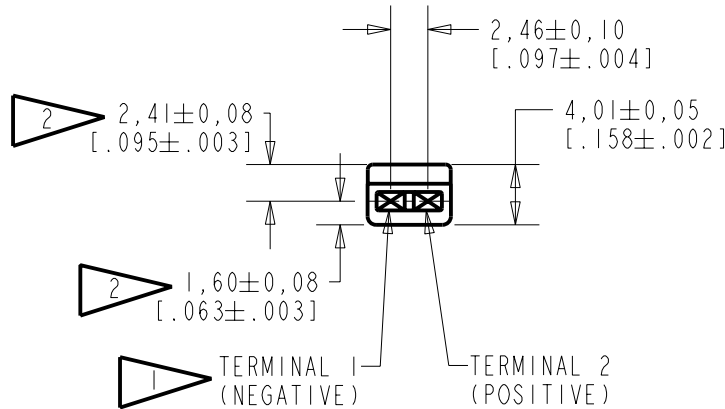
EF-23168-000

SHT 1.1



NOTES:

- 1 A POSITIVE GOING VOLTAGE AT TERMINAL 2, RELATIVE TO TERMINAL 1, CAUSES A DECREASE IN PRESSURE AT THE SOUND OUTLET.
- 2 LOCATED FROM TWO SURFACES FOR CUSTOMER CONVENIENCE. ONLY APPLICABLE FROM ONE SURFACE, NOT TO BE USED TOGETHER. HORIZONTAL LOCATION FOR TERMINAL CENTERED TO $\pm 0,17$ [.007].

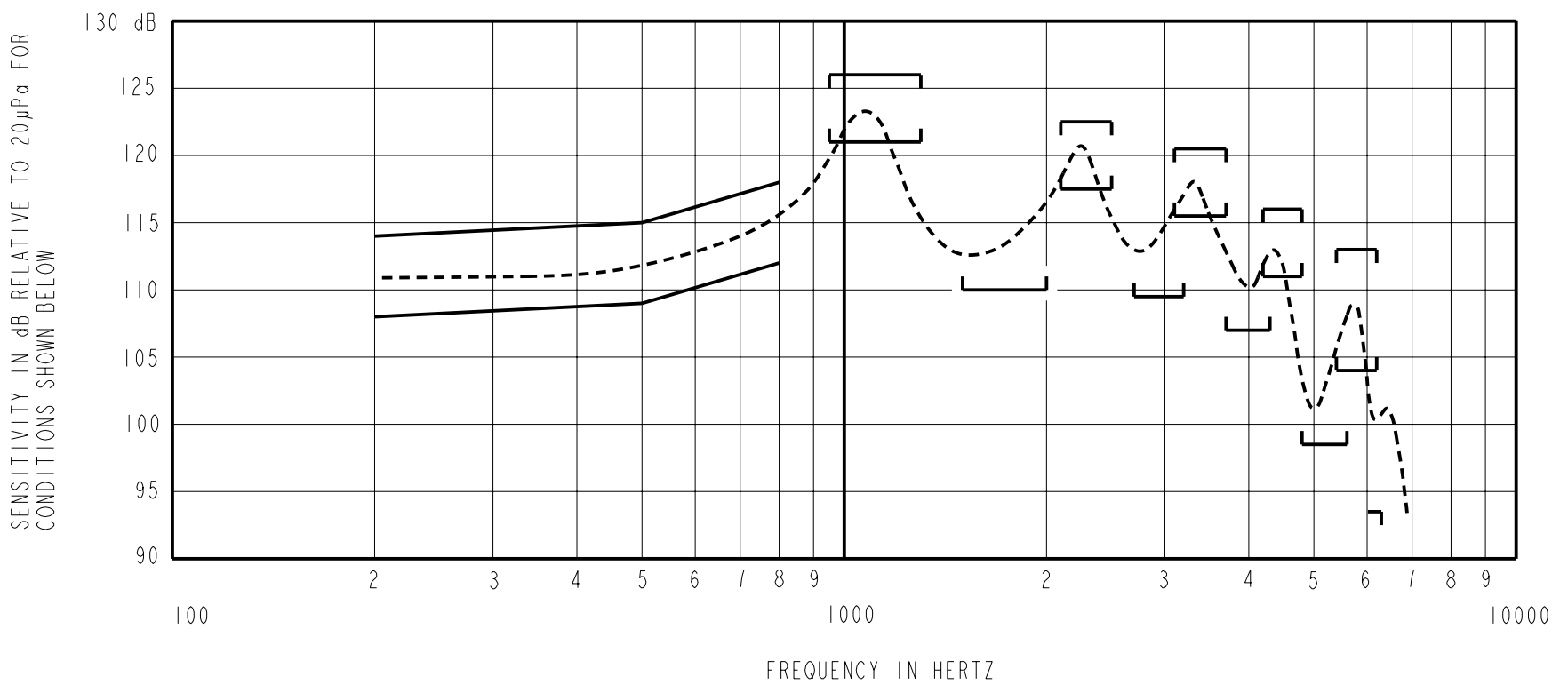


NOMINAL WEIGHT
.66 GRAM

DIMENSIONS IN MILLIMETERS [INCHES]

KNOWLES ELECTRONICS
ITASCA, ILLINOIS U.S.A.

Revision	C.O. #	Implementation Date	RELEASE LEVEL	REVISION
A	CI0103490	11-29-05	Released	A
SCALE: 2:1			DR. BY: MMM	DATE: 11-29-05
DO NOT SCALE DRAWING			CK. BY: GJP	DATE: 12-1-05
TITLE: RECEIVER		EF-23168-000	APP. BY: GJP	DATE: 12-1-05
OUTLINE DRAWING		SHT 1.1		



NOTES:

1. MEASUREMENTS MADE USING 8mm (.315") X 1mm (.039") ID + 28mm (1.10") X 1.5mm (.059") ID EAR HOOK SIMULATOR INTO 25mm (.984") OF 2mm (.079") ID TUBE + 18mm (.709") OF 3mm (.118") ID TUBE + 2cm³ CAVITY (AS IEC126). (T-2607 AND B & K DB0138).

2. SENSITIVITY

FREQUENCY	MIN.	MAX.
200	108.0	114.0
500	109.0	115.0
800	112.0	118.0
900-1300	121.0	126.0
1500-2000	110.0	---
2100-2500	117.5	122.5
2700-3200	109.5	---
3100-3700	115.5	120.5
3700-4300	107.0	---
4200-4800	111.0	116.0
4800-5600	98.5	---
5400-6200	104.0	113.0
<6300	93.5	---

3. RESPONSE, IMPEDANCE, AND DISTORTION MEASUREMENTS MADE USING THE ELECTRICAL TEST CONDITIONS SHOWN BELOW.

4. NOMINAL AND HIGH DRIVE SPECIFICATIONS.

PORT LOCATION	IMPEDANCE OHMS ±15%		DCR @20°C OHMS ±10%	DISTORTION		ELECTRICAL TEST CONDITIONS		SOURCE IMPEDANCE OHMS
	1KHz	500Hz		MAX. %	FREQ Hz	AC V RMS	DC mA	
12S	160	62	46.5	5	500	0.33	0.00	30

Revision	C.O. #	Implementation Date	RELEASE LEVEL	REVISION
A	C10103490	11-29-05	Released	A

WHEN TEST LIMITS ARE USED TO ESTABLISH INCOMING INSPECTION ACCEPTANCE/REJECTION CRITERIA, CORRELATION OF TEST EQUIPMENT WITH KNOWLES IS ALSO REQUIRED FOR ELIMINATION OF EQUIPMENT AND TEST METHOD VARIATION		DR. BY	DATE
TITLE: RECEIVER		MMM	11-29-05
		CK. BY	DATE
PERFORMANCE SPECIFICATION		GJP	12-1-05
		APP. BY	DATE
		GJP	12-1-05

KNOWLES ELECTRONICS
ITASCA, ILLINOIS U.S.A.

EF-23168-000
SHT 2.1