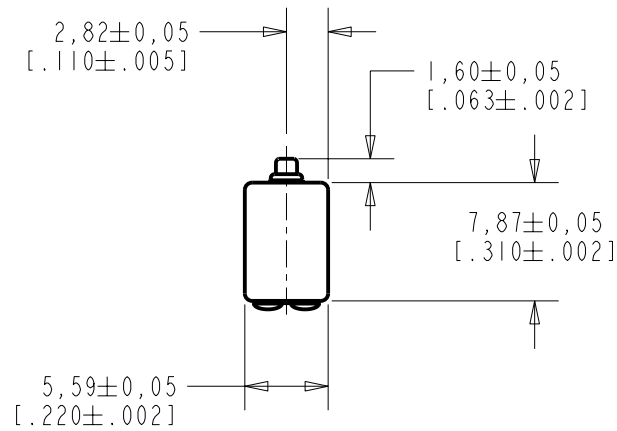
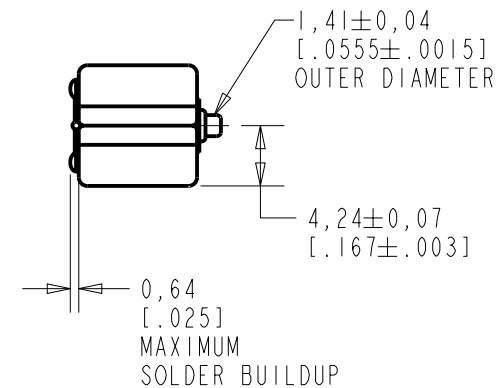
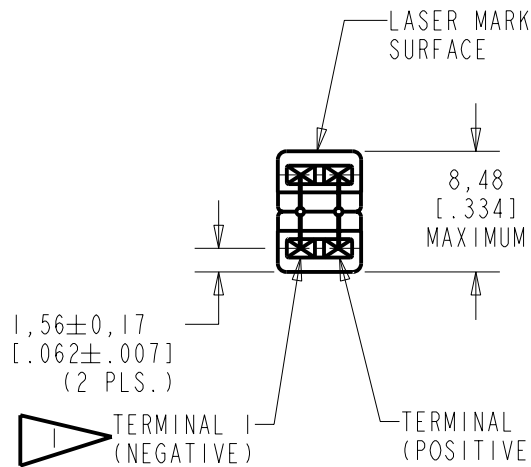


EF-26708-017
SHT 1.1



NOTES:
 1 A POSITIVE GOING VOLTAGE AT TERMINAL 2, RELATIVE TO TERMINAL 1, CAUSES A DECREASE IN PRESSURE AT THE SOUND OUTLET.

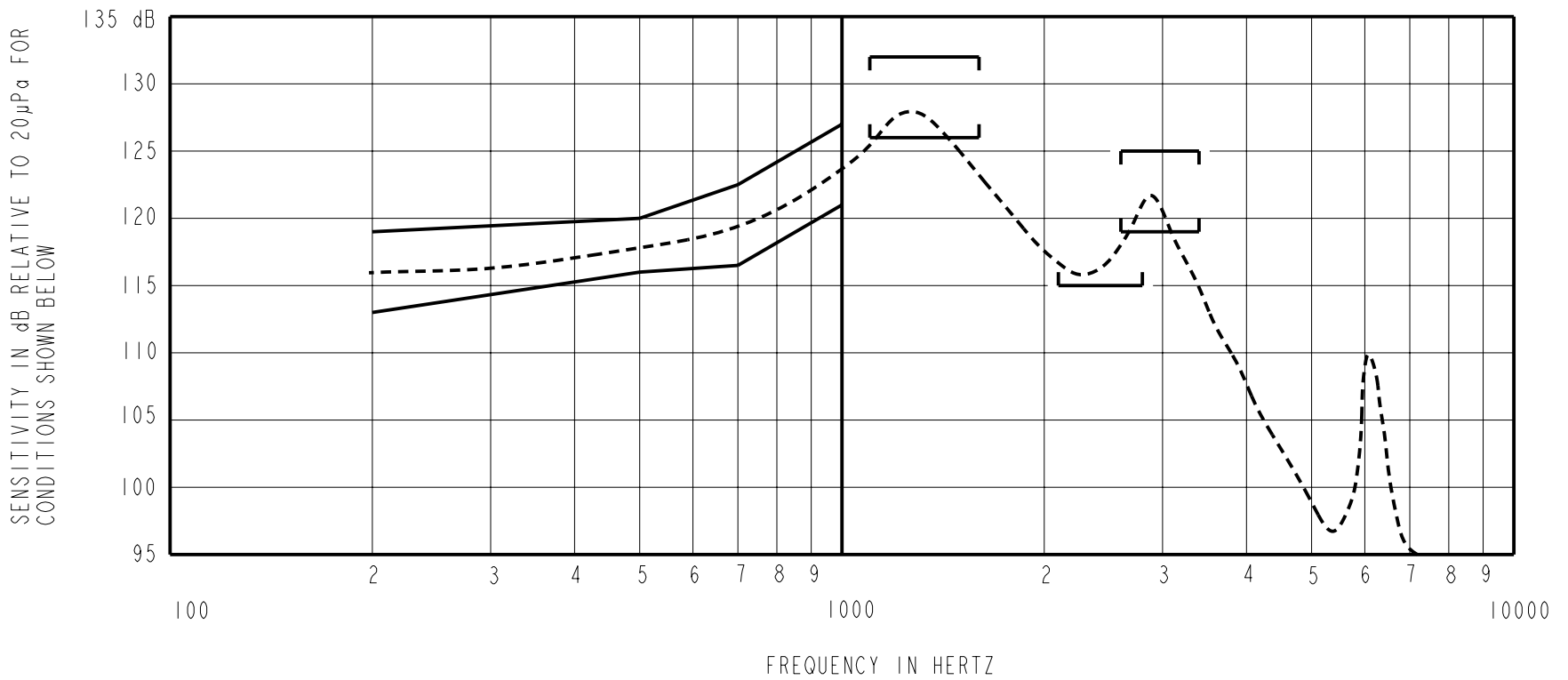


NOMINAL WEIGHT
.66 GRAM

DIMENSIONS IN MILLIMETERS [INCHES]

KNOWLES ELECTRONICS
ITASCA, ILLINOIS U.S.A.

Revision	C.O. #	Implementation Date	RELEASE LEVEL	REVISION
			Released	A
A	CI0103491	12-1-05		
SCALE: 2:1				
TITLE: RECEIVER			DR. BY DATE	
OUTLINE DRAWING			MMM 12-1-05	
EF-26708-017			CK. BY DATE	
SHT 1.1			GJP 12-2-05	
			APP. BY DATE	
			GJP 12-2-05	



NOTES:

1. MEASUREMENTS MADE USING 10mm[.394"] X 1mm[.039"] ID TUBE CONNECTED TO A SIMULATED ANSI S3.7-1973 TYPE HA-3 COUPLER (IEC 126) INTO 2cc (HA-2 COUPLER)

2. SENSITIVITY

FREQUENCY	MIN.	MAX.
200	113.0	119.0
500	116.0	120.0
700	116.5	122.5
1000	121.0	127.0
1100-1600	126.0	132.0
2100-2800	115.0	---
2600-3400	119.0	125.0

- 3. RESPONSE, IMPEDANCE, AND DISTORTION MEASUREMENTS MADE USING THE ELECTRICAL TEST CONDITIONS SHOWN BELOW.
- 4. ELECTRICAL SOURCE IMPEDANCE MUST BE GREATER THAN 20 TIMES 1KHz IMPEDANCE FOR TEST CONDITIONS SHOWN BELOW.
- 5. INDIVIDUAL SPECIFICATIONS.

PORT LOCATION	IMPEDANCE OHMS ±15%		DCR @20°C OHMS ±10%	DISTORTION		ELECTRICAL TEST CONDITIONS	
	1KHz	500Hz		MAX. %	FREQ Hz	AC mA RMS	DC mA
12S	175	70	25	9	500	3.34	0.00

6. SUFFIX DESCRIPTION:

- 1) BUZZ TEST
CONSTANT VOLTAGE DRIVE SET TO 56.6 mV/100 Hz, FREQUENCY BAND IS 3550-6750 Hz, AND THE NOISE LIMIT IS 55 mV.
- 2) TEST GUARD BAND
APPLY GUARD BANDS FOR RESPONSE AND THD AS SPECIFIED ABOVE.
- 3) VISUAL INSPECTION
VISUALLY INSPECT UNITS FOR GOOD WORKMANSHIP eg. TERMINAL PADS, SOLDER, SCRATCHES, ETC.

Revision	C.O. #	Implementation Date	RELEASE LEVEL	REVISION
A	C10103491	12-1-05	Released	A

KNOWLES ELECTRONICS
ITASCA, ILLINOIS U.S.A.

WHEN TEST LIMITS ARE USED TO ESTABLISH INCOMING INSPECTION ACCEPTANCE/REJECTION CRITERIA, CORRELATION OF TEST EQUIPMENT WITH KNOWLES IS ALSO REQUIRED FOR ELIMINATION OF EQUIPMENT AND TEST METHOD VARIATION

TITLE: **RECEIVER**
PERFORMANCE SPECIFICATION

EF-26708-017
SHT 2.1

DR. BY	DATE
MMM	12-1-05
CK. BY	DATE
GJP	12-2-05
APP. BY	DATE
GJP	12-2-05