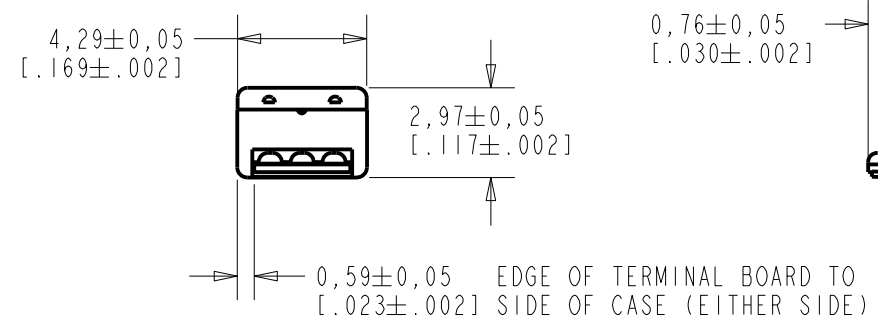
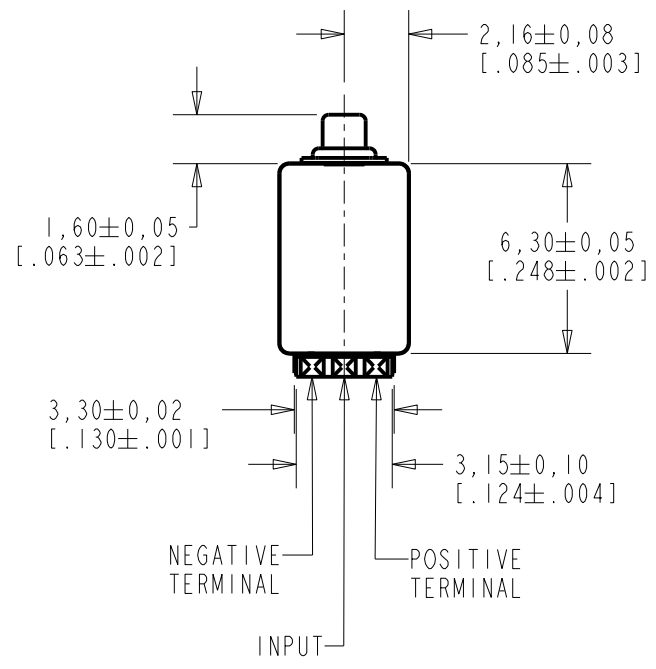
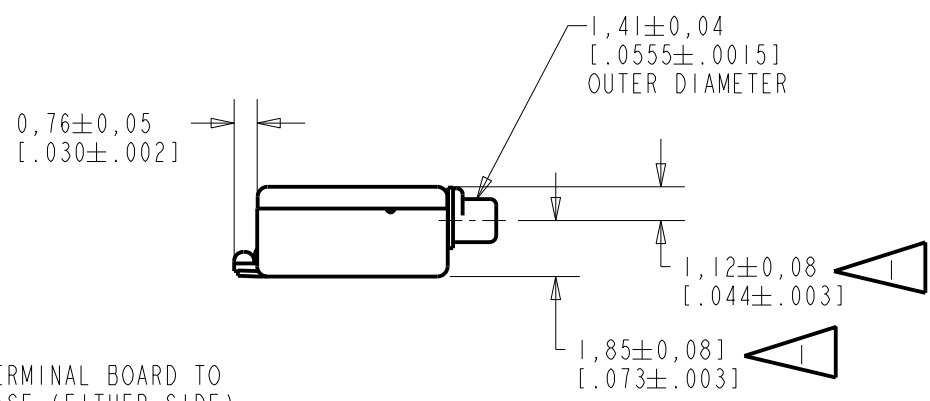


EP-24075-000
SHT 1.1



NOTES:
 [Symbol] LOCATED FROM TWO SURFACES FOR CUSTOMER CONVENIENCE. ONLY APPLICABLE FROM ONE SURFACE, NOT TO BE USED TOGETHER.

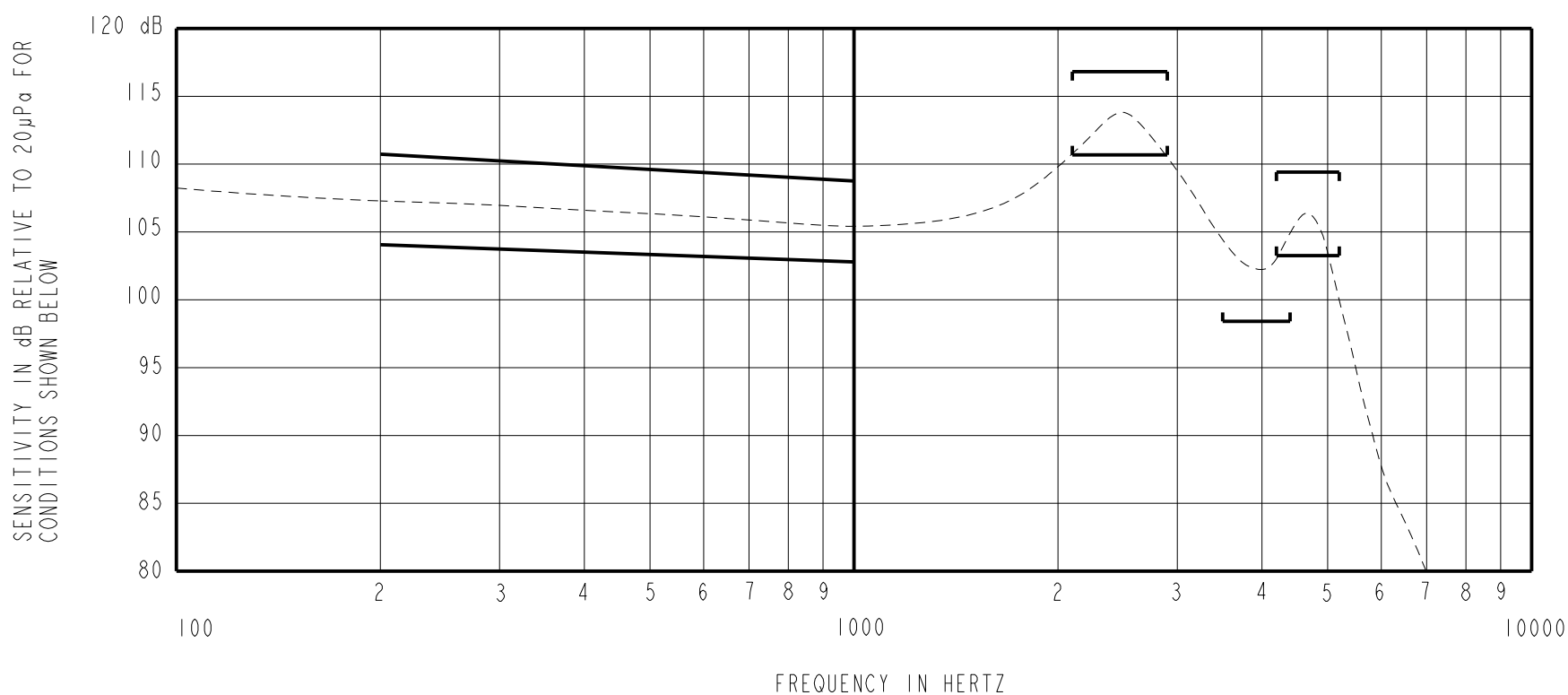


NOMINAL WEIGHT
.31 GRAMS

DIMENSIONS IN MILLIMETERS [INCHES]

Revision	C.O. #	Implementation Date	RELEASE LEVEL	REVISION
B	C10111228	5-28-10	Active	B
A	C10103328	11-14-05		
SCALE: 4:1				
DO NOT SCALE DRAWING			DR. BY	DATE
TITLE: RECEIVER			MMM	11-14-05
			EP-24075-000	
OUTLINE DRAWING			GJP	11-16-05
			SHT 1.1	
			GJP	11-16-05

KNOWLES ELECTRONICS
ITASCA, ILLINOIS U.S.A.



NOTES:

1. MEASUREMENTS MADE USING 10mm (.394") OF 1mm (.039") ID TUBE CONNECTED TO A 2 cm³, SIMULATED ANSI S3.7 TYPE HA-3 COUPLER (IEC 60318-5).
2. ELECTRICAL SIGNAL (SEE #5 BELOW).

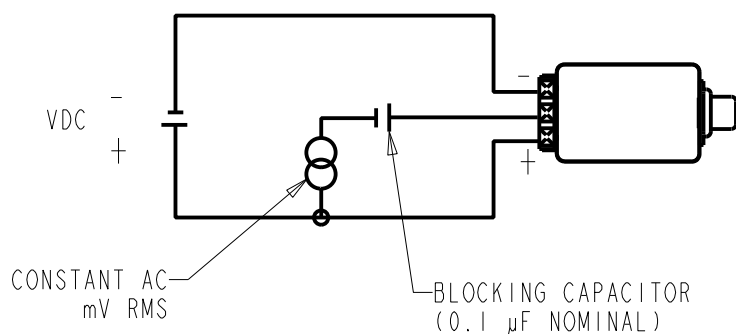
3. SENSITIVITY

FREQUENCY	MIN.	MAX.
200	104.5	110.5
1000	103.0	109.0
2100-2900	111.0	117.0
3500-4400	98.5	---
4200-5200	103.5	109.5

4. RESPONSE AND DISTORTION MEASUREMENTS MADE USING THE ELECTRICAL TEST CONDITIONS SHOWN BELOW.
5. INDIVIDUAL SPECIFICATIONS.

PORT LOCATION	MAX. DC SUPPLY CURRENT mA		DISTORTION		ELECTRICAL TEST CONDITIONS	
	VDC= 1.3±.02	VDC= 1.5±.02	MAX. %	FREQ Hz	CONSTANT AC mV RMS	VDC
12C	0.75	1.50	5	800	32±1	1.3

6. TEST CONDITIONS.



Revision	C.O. #	Implementation Date	RELEASE LEVEL	REVISION
B	C10111228	5-28-10	Active	B
A	C10103328	11-14-05		

KNOWLES ELECTRONICS
ITASCA, ILLINOIS U.S.A.

WHEN TEST LIMITS ARE USED TO ESTABLISH INCOMING INSPECTION ACCEPTANCE/REJECTION CRITERIA, CORRELATION OF TEST EQUIPMENT WITH KNOWLES IS ALSO REQUIRED FOR ELIMINATION OF EQUIPMENT AND TEST METHOD VARIATION

TITLE: **RECEIVER** EP-24075-000
PERFORMANCE SPECIFICATION SHT 2.1

DR. BY	DATE
MMM	11-14-05
CK. BY	DATE
GJP	11-16-05
APP. BY	DATE
GJP	11-16-05