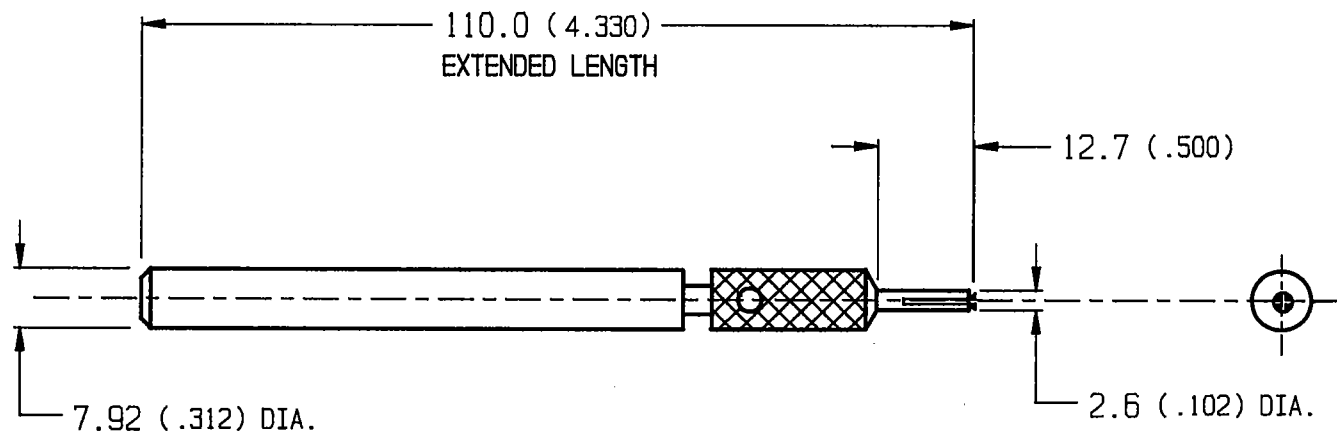


BF-1778



**RED CONTROLLED**

ISSUE

B

APPROX. SCALE: 1:1

DO NOT SCALE DRAWING

I

**RED CONTROLLED**

**KNOWLES ELECTRONICS**

KNOWLES ELECTRONICS, INC., FRANKLIN PARK, ILLINOIS U.S.A.

KNOWLES ELECTRONICS CO., BURGESS HILL, SUSSEX, ENGLAND

DR. BY DATE  
GJP 8-5-82

CH. BY DATE  
KHW 8-5-82

APP. BY DATE  
EVC 8-5-82

TITLE: **INSERTION TOOL**  
OUTLINE DRAWING

**BF-1778**  
SHT 1.1