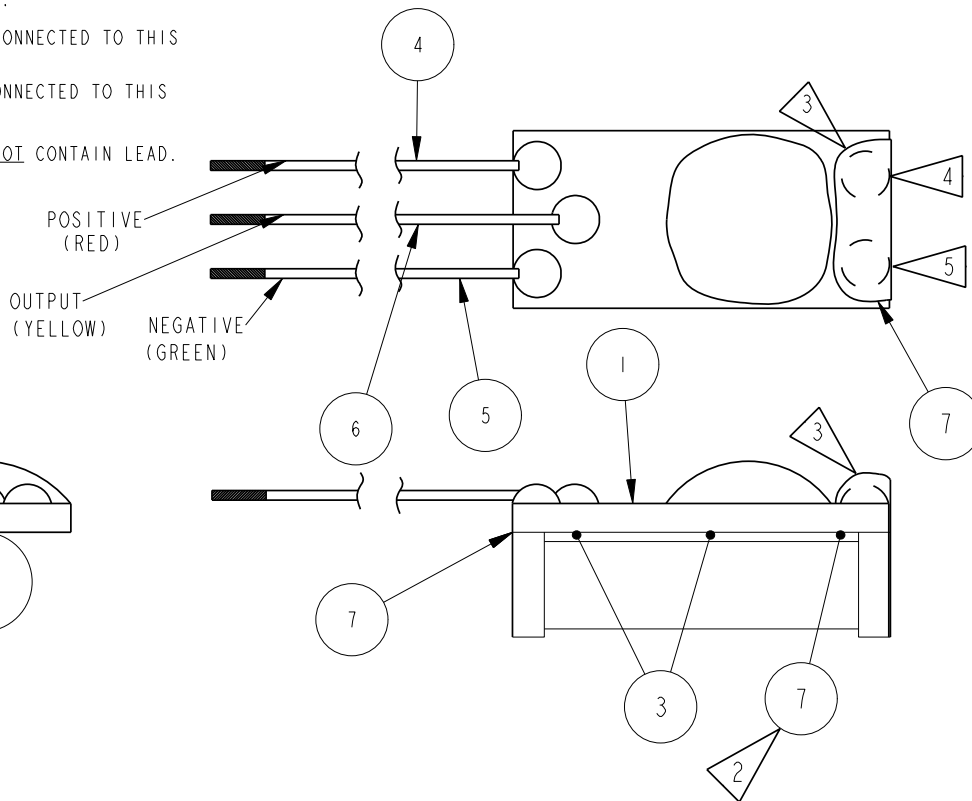


NOTES:

- 1) ASSEMBLY DIPPED AT LEAST 2 TIMES TO PROVIDE A UNIFORM LAYER OF PROTECTION ON COIL WIRES AND CIRCUIT BOARD.
- 2) APPLY ITEM 7 ON THE BOTTOM OF "START WIRE".
- 3) COMPLETELY COVER "START AND FINISH WIRES WITH ITEM 7.
- 4) TELECOIL "FINISH" WIRE CONNECTED TO THIS PAD ON HYBRID CIRCUIT.
- 5) TELECOIL "START" WIRE CONNECTED TO THIS PAD ON HYBRID CIRCUIT.
- 6) SOLDER MATERIALS SHALL NOT CONTAIN LEAD. MUST BE ROHS COMPLIANT.



BILL OF MATERIAL

ITEM	DESCRIPTION	QTY
1	CIRCUIT ASSEMBLY	1
2	TELECOIL	1
3	8% CEMENT	A/R
4	RED LEAD ASSEMBLY	1
5	GREEN LEAD ASSEMBLY	1
6	YELLOW LEAD ASSEMBLY	1
7	10% CEMENT	A/R

**RED CONTROLLED**

SCALE: N.T.S.				MATERIAL:	
FUNDAMENTAL TOLERANCE: ± 0.03 [0.001]				HEAT TREATMENT:	
ANGLE TOLERANCE: ± 1°				FINISH:	
MISMATCH TOLERANCE: ± 0.03 [0.001]				TITLE:	
		DATE	NAME		<b>SLEEVELESS ACTIVE TELECOIL ASSEMBLY</b>
DESIGNED		01/26/06	BCS		
CHECKED		01/26/06	BCS		
RELEASED		01/26/06	B CS		
REV.	CHANGE #	DATE	NAME	RELEASED LEVEL:	Active
PROPRIETARY NOTE: THIS DOCUMENT CONTAINS INFORMATION WHICH IS THE PROPRIETARY PROPERTY OF KNOWLES ELECTRONICS, LLC. OR ITS AFFILIATED ENTITIES. IT IS ISSUED IN STRICT CONFIDENCE AND SHALL NOT BE REPRODUCED, COPIED, USED, OR DISCLOSED TO ANY THIRD PARTY PARTIALLY OR WHOLLY IN ANY MANNER WITHOUT PRIOR WRITTEN PERMISSION OF, AND MUST BE RETURNED UPON REQUEST BY, KNOWLES ELECTRONICS, LLC.				DRAWING NUMBER:	5300-253588
<b>KNOWLES</b>				REVISION:	A
				SHEETS:	1 of 1