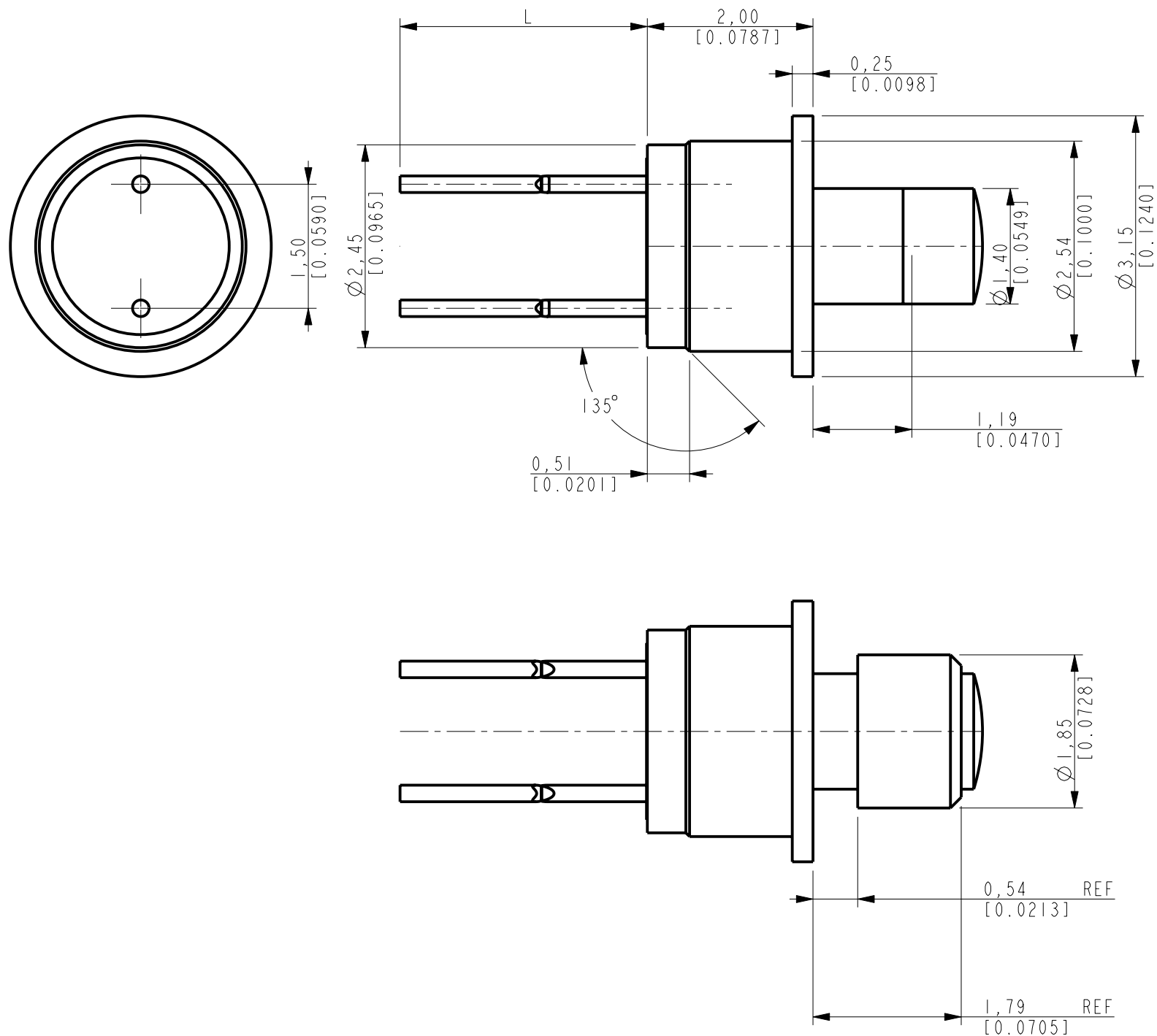


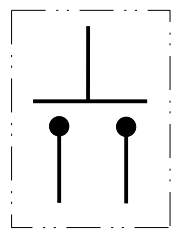
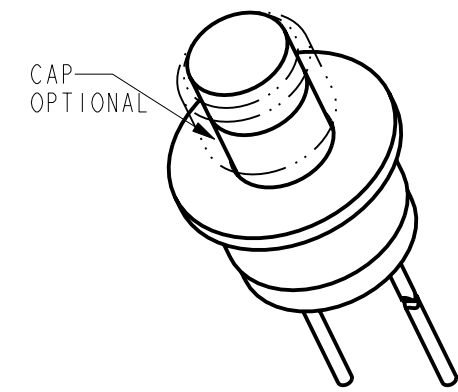
LEAD LENGTH (L)	
1	9,9±0,5mm[0.3897±0.0196]
2	20,00±0,5mm[0.7874±0.0196]

ACTUATION FORCE	
1	75-150 cN
2	35-60 cN

OPTIONAL LEAD TRIMMING HAS A TOLERANCE OF ±1,00[.0393]



ENVIRONMENTAL DATA	MATERIAL DATA	ELECTRICAL DATA	MECHANICAL DATA
4.8	3.3	2.4	1.8
RECOMMENDED GLUE	TERMINAL	INSULATION RESISTANCE	ALL MATERIALS
CYANOACRYLATE (NON-BLOOMING)	GOLD-PLATED WIRE LEADS	100 MΩ	COMPLIANCE WITH EU DIRECTIVE 2002/95/EC (RoHS)
4.7	3.2	2.3	1.7
CLEANING	HOUSING	DIELECTRIC STRENGTH	LIFE CYCLE EXPECTANCY
USE AQUA WASH (ALPA 2110) BENZINE AMMONIA, 10% SOLUTION WITH DEMINERALIZED WATER.	POLYAMIDE	400 V rms	>100,000 CYCLES AT RATED LOAD
4.6	3.1	2.2	1.6
VIBRATION	CONTACT MATERIAL	ELECTRICAL RATING	SOLDERABILITY
20 g's, 10 TO 2000 Hz	GOLD-PLATED COPPER ALLOY	6 VDC, 50 mA	METHOD 208D OF MIL-STD 202F
4.5		2.1	1.5
SHOCK		INITIAL CONTACT RESISTANCE	LEAD PULL STRENGTH
100 g's		150mΩ max.	600cN
4.4			1.4
OPERATIONAL TEMPERATURE			PUSH STRENGTH
-40°C TO 70°C			2000cN
4.3			1.3
SOLDER TEMPERATURE			ACTUATION TRAVEL
400°C [750°F] FOR 1 SECOND			0,35mm [0.0138"] (F)
4.2			1.2
THERMAL SHOCK			ACTUATION FORCE
10 CYCLES, 15 MIN. AT -40°C AND 15 MIN. AT 70°C			SEE TABLE
4.1			1.1
HUMIDITY			CONTACT BOUNCE
96 HRS. OF 40°C, 95% RH			< 10 msec.



FUNCTION

SCALE 10:1

REV.	CHANGE #	DATE	NAME	RELEASED	DATE	NAME	MATERIAL:
G	C10106364	8/28/07	LSY				
F	C10104210	04/27/06	BCS				
E	C10104073	03/31/06	BCS				
D	C10103626	12/20/05	BCS				
C	C10103174	09/26/05	BCS				
B	C10101716	11/08/04	BCS	DESIGNED	04/14/05	BCS	
A	A10100803	02/04/04	BCS	CHECKED	06/22/06	BCS	
				RELEASED	06/22/06	J.McS.	

SCALE: 15:1	FUNDAMENTAL TOLERANCE: ± 0,05 [0.002]	HEAT TREATMENT:
ANGLE TOLERANCE: ± 1°	MISMATCH TOLERANCE: ± 0,05 [0.002]	FINISH:
TITLE: PUSH BUTTON SWITCH W/FLANGED HOUSING & STD. DRIVER		
RELEASED LEVEL: RELEASED		REVISION: G
DRAWING NUMBER: 2800-401		SHEETS: 1 of 1

PROPRIETARY NOTE: THIS DOCUMENT CONTAINS INFORMATION WHICH IS THE PROPRIETARY PROPERTY OF KNOWLES ELECTRONICS, LLC. OR ITS AFFILIATED ENTITIES. IT IS ISSUED IN STRICT CONFIDENCE AND SHALL NOT BE REPRODUCED, COPIED, USED, OR DISCLOSED TO ANY THIRD PARTY PARTIALLY OR WHOLLY IN ANY MANNER WITHOUT PRIOR WRITTEN PERMISSION OF KNOWLES ELECTRONICS, LLC. AND MUST BE RETURNED UPON REQUEST BY KNOWLES ELECTRONICS, LLC.

deltek