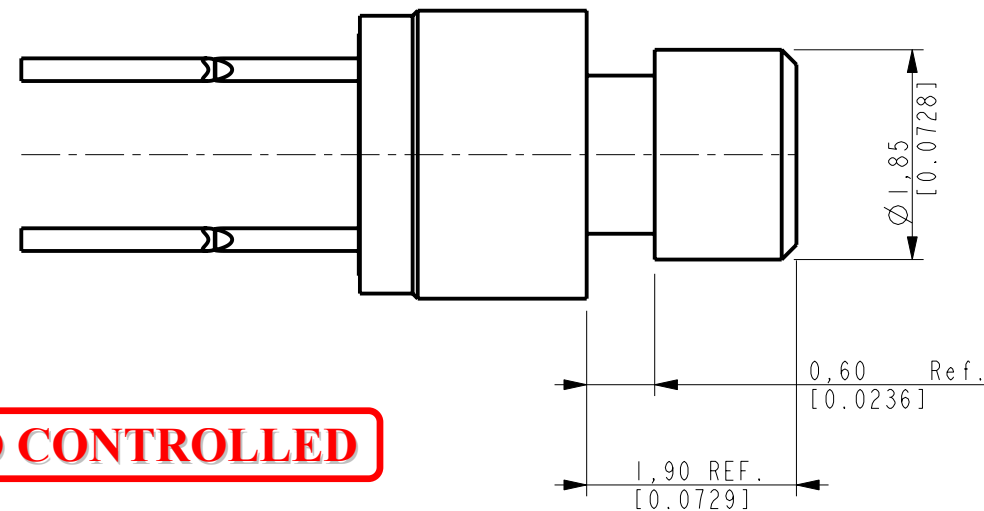
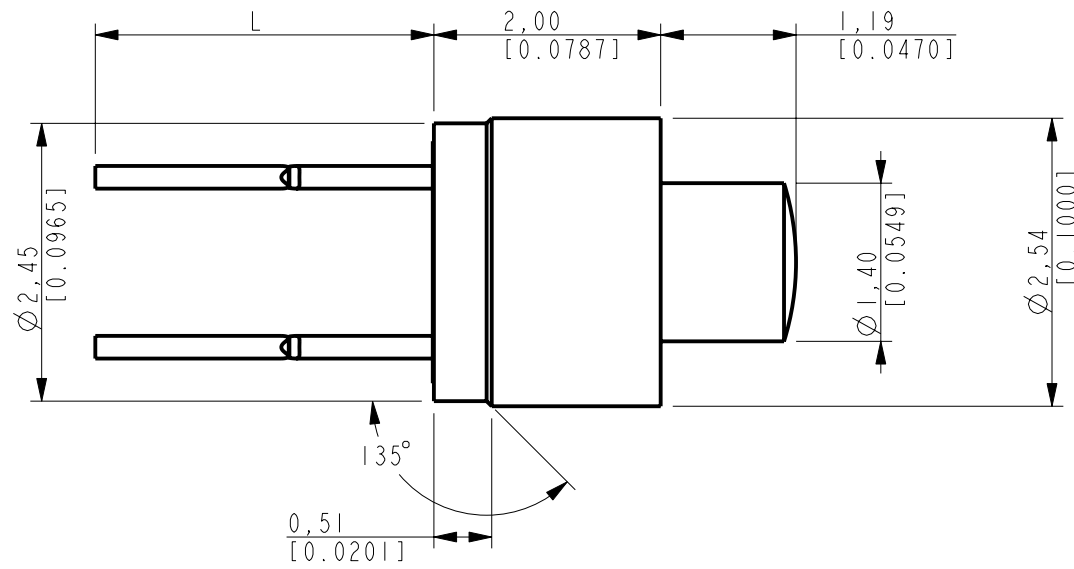
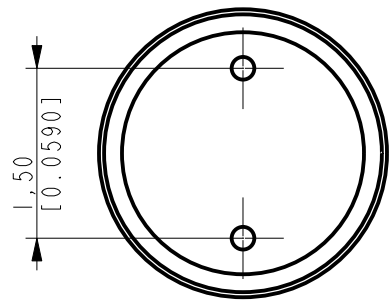


LEAD LENGTH (L)	
1	9,9±0,5mm[0.3897±0.0196]
2	20,00±0,5mm[0.7874±0.0196]

ACTUATION FORCE	
1	75-150 cN
2	35-60 cN

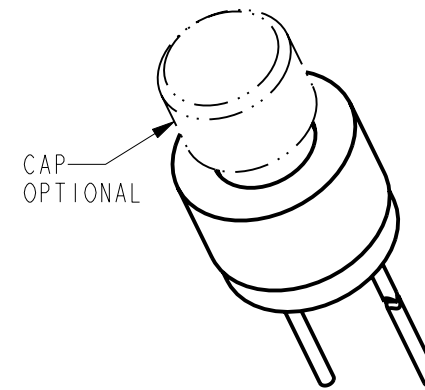
(G)

OPTIONAL LEAD TRIMMING HAS A TOLERANCE OF ±1,00[.0393]

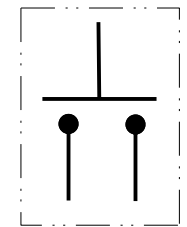


RED CONTROLLED

ENVIRONMENTAL DATA	MATERIAL DATA	ELECTRICAL DATA	MECHANICAL DATA
4.8	RECOMMENDED GLUE	CYANOACRYLATE (NON-BLOOMING)	
4.7	CLEANING	USE AQUA WASH (ALPA 2110) BENZINE AMMONIA, 10% SOLUTION WITH DEMINERALIZED WATER.	
4.6	VIBRATION	20 g's, 10 TO 2000 Hz	
4.5	SHOCK	100 g's	
4.4	OPERATIONAL TEMPERATURE	-40°C TO 70°C	
4.3	SOLDER TEMPERATURE	400°C [750°F] FOR 1 SECOND	
4.2	THERMAL SHOCK	10 CYCLES, 15 MIN. AT -40°C AND 15 MIN. AT 70°C	
4.1	HUMIDITY	96 HRS. OF 40°C, 95% RH	
3.3	TERMINAL	GOLD-PLATED WIRE LEADS	
3.2	HOUSING	POLYAMIDE	
3.1	CONTACT MATERIAL	GOLD-PLATED COPPER ALLOY	
2.4	INSULATION RESISTANCE	100 MΩ	
2.3	DIELECTRIC STRENGTH	400 V rms	
2.2	ELECTRICAL RATING	6 VDC, 50 mA	
2.1	INITIAL CONTACT RESISTANCE	150mΩ max.	
1.8	ALL MATERIALS	COMPLIANCE WITH EU DIRECTIVE 2002/95/EC (RoHS)	
1.7	LIFE CYCLE EXPECTANCY	>100,000 CYCLES AT RATED LOAD	
1.6	SOLDERABILITY	METHOD 208D OF MIL-STD 202F	
1.5	LEAD PULL STRENGTH	600cN	
1.4	PUSH STRENGTH	2000cN	
1.3	ACTUATION TRAVEL	0.35mm [0.0138] (F)	
1.2	ACTUATION FORCE	SEE TABLE	
1.1	CONTACT BOUNCE	< 10 msec.	



SCALE 10:1



FUNCTION

REV.	CHANGE #	DATE	NAME	RELEASED	DATE	NAME	MATERIAL:
G	C10106364	8/28/07	LSY				
F	C10104210	04/27/06	BCS				
E	C10104073	03/31/06	BCS				
D	C10103626	12/20/05	BCS				
C	C10103174	09/26/05	BCS				
B	C10101716	02/04/04	BCS	DESIGNED	04/14/05	BCS	
A	A10100803	02/04/04	BCS	CHECKED	06/22/06	BCS	
				RELEASED	06/22/06	J.McS.	

SCALE: 15:1	FUNDAMENTAL TOLERANCE: ± 0,05 [0.002]	HEAT TREATMENT:
ANGLE TOLERANCE: ± 1°	MISMATCH TOLERANCE: ± 0,05 [0.002]	FINISH:
TITLE: PUSH BUTTON SWITCH W/FLANGELESS HOUSING & STD. DRIVER		
RELEASED LEVEL: RELEASED	REVISION: G	
DRAWING NUMBER: 2800-402	SHEETS: 1 of 1	

PROPRIETARY NOTE: THIS DOCUMENT CONTAINS INFORMATION WHICH IS THE PROPRIETARY PROPERTY OF KNOWLES ELECTRONICS, LLC. OR ITS AFFILIATED ENTITIES. IT IS ISSUED IN STRICT CONFIDENCE AND SHALL NOT BE REPRODUCED, COPIED, USED, OR DISCLOSED TO ANY THIRD PARTY PARTIALLY OR WHOLLY IN ANY MANNER WITHOUT PRIOR WRITTEN PERMISSION OF KNOWLES ELECTRONICS, LLC. AND MUST BE RETURNED UPON REQUEST BY KNOWLES ELECTRONICS, LLC.

deltek