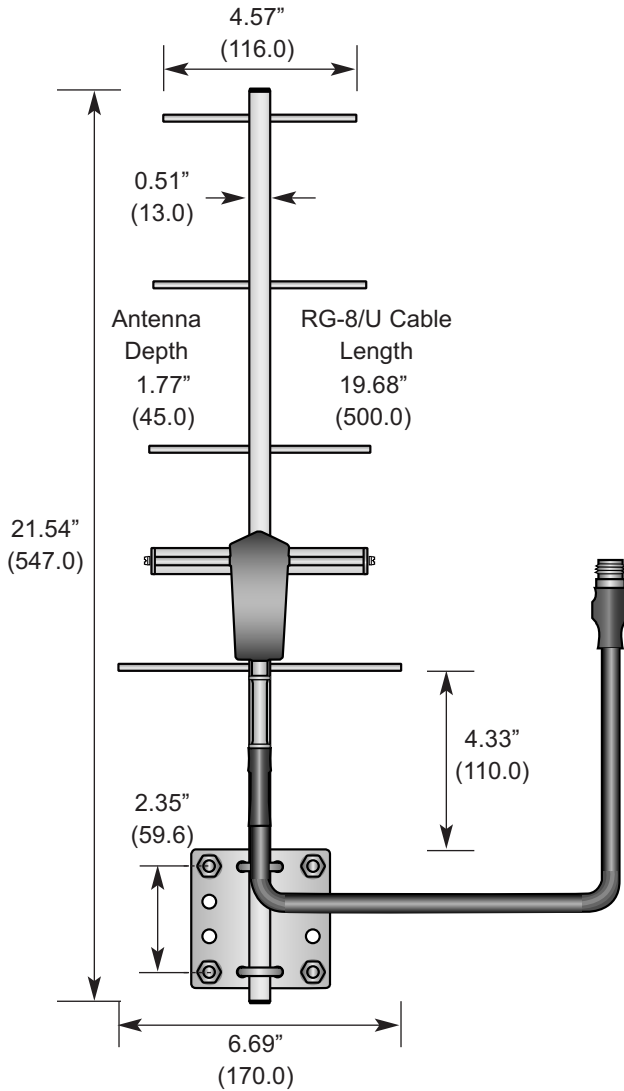
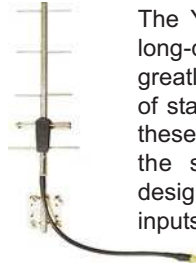


Product Dimensions



Description



The YG Series of Yagi antennas are designed for long-distance directional communication and can greatly enhance the performance of RF links. Made of stainless steel and featuring sturdy mast mounts, these rugged antennas are constructed to withstand the stress of long-term use. All antennas are designed for 50-ohm system matches with maximum inputs of 100W.

NOTE Use of these antennas may result in TX and RX emission levels in excess of legal limits.

Features

- High gain
- Stainless steel construction
- Fully weatherized
- Rugged & damage-resistant
- RG-8/U cable with female N connector

Electrical Specifications

- Center Freq. 916MHz
- Bandwidth 70MHz
- Polarization Vertical or horizontal
- VSWR ≤ 1.5 typ. at center
- Impedance 50 ohms
- F/B Ratio ≥ 14 dB
- Gain 9dBi
- Beamwidth 54° horizontal, 48° vertical
- Max. Power 100W
- Connector N-style female
- Weight 1.5lbs (0.7kg)
- Wind Velocity 134.2mph (60m/s)

Ordering Information

- ANT-916-YG5-N

VSWR Graph

