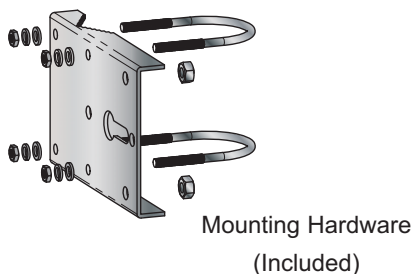
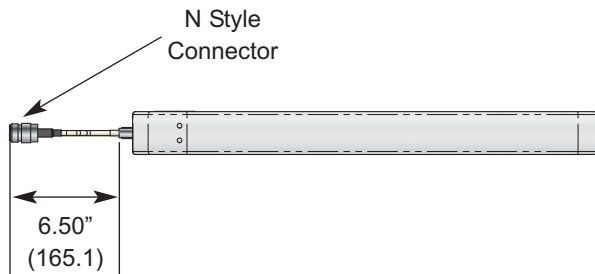
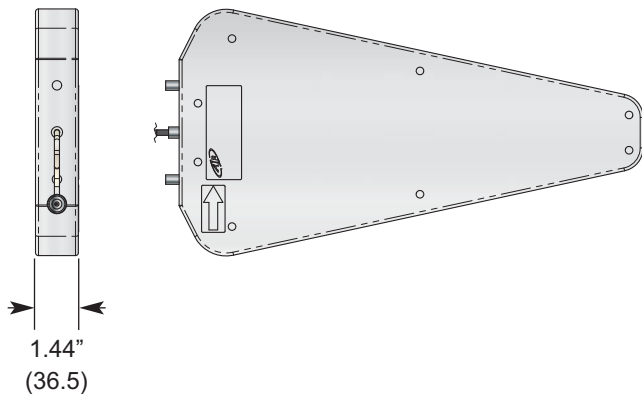
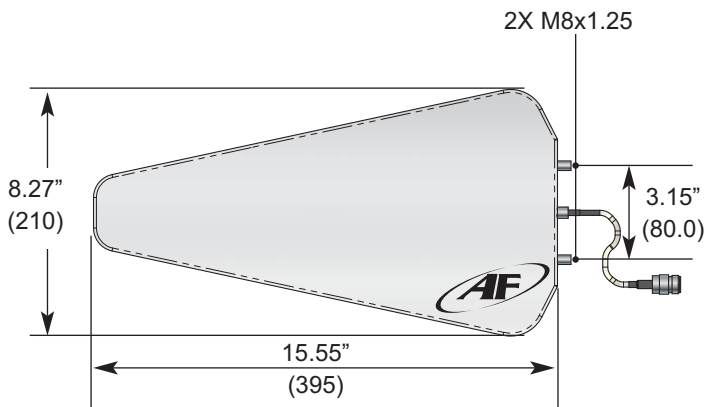


Product Dimensions



Description



The Antenna Factor Log Periodic antenna is designed for long-distance directional communication over a wide range of frequencies. The DB1-LP antenna provides gain and directivity comparable to a Yagi, but in a much smaller overall form factor, and over a considerably wider range of frequencies. Constructed of UV stabilized materials, the antenna is suitable for long-term use in indoor or outdoor environments. The antenna includes complete mounting hardware for standard masts.

NOTE Use of these antennas may result in TX and RX emission levels in excess of legal limits.

Features

- High gain
- Wide bandwidth
- Fully weatherized
- N female connector
- Rugged & damage-resistant
- Excellent performance over common frequency ranges

Electrical Specifications

- Recmd. Freq. Range 824-960MHz
1.71-2.17GHz
2.40-2.48GHz
- Polarization Vertical
- VSWR ≤ 1.5 typ. at center
- Impedance 50 ohms
- Gain 8.5dBi (Band 1)
9.0dBi (Bands 2 and 3)
- 3dB H Beamwidth 57°, 53°, 50° (Bands 1, 2, 3 resp.)
- 3dB V Beamwidth 85°, 70°-80°, 70° (Bands 1, 2, 3 resp.)
- Max. Power 100W
- Connector N-style female
- Mounting Bracket with U-bolts,
1.58"-1.97"(40-50mm) mast
- Weight 2.4lbs (1.1kg)
- Wind Velocity 75mph (120kph)
- Front/Back Ratio ≥ 20 dB

Ordering Information

- ANT-DB1-LP-RM-01-N (with N female connector)
Visit connectorcity.com for cable assemblies

VSWR Graph

