

ANT-GPS-SH-xxx

Data Sheet

Product Description

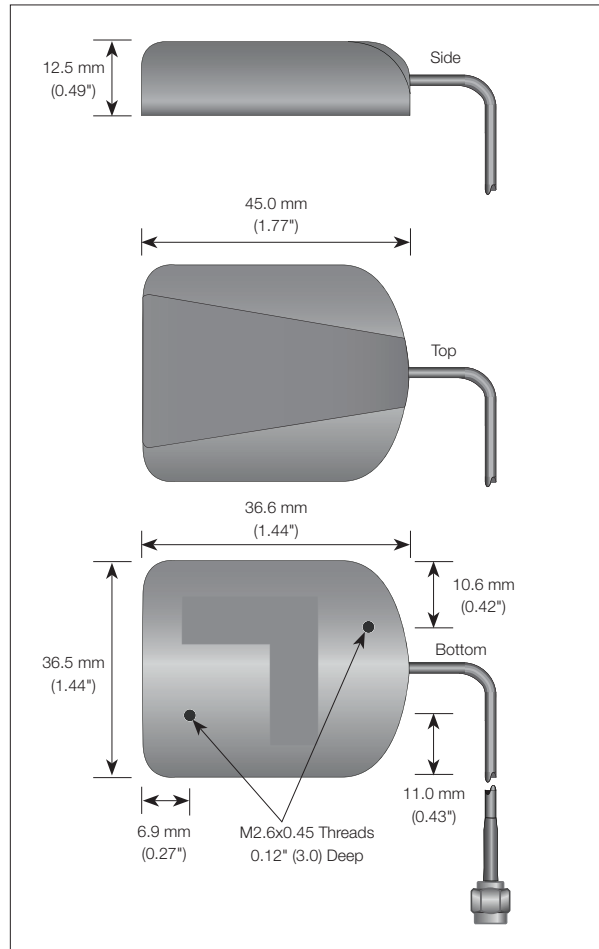
The SH Series is the flagship of the Antenna Factor GPS line. These high-performance GPS antennas combine superior performance, advanced operational and protection features, and low power consumption. This makes them ideal for telematics, fleet management, navigation, tracking and other applications that require a compact, high-performance GPS antenna. For maximum compatibility with the host receiver, the SH accepts supply voltages from +2.5VDC to +12VDC and is protected against shorts, over current, or reverse polarity situations. The antennas attach via a SMA, MCX, MMCX or customer-specified connector.

Features

- Compact
- High-gain, low-noise design
- Low current consumption
- Wide operating voltage
- Protection circuit
- Wide operating temperature
- Fully weatherized
- Waterproof
- Rugged & damage-resistant
- Magnetic mount

Electrical Specifications

Center Frequency:	1575.42MHz
Bandwidth:	10MHz @ -3dB point
Impedance:	50-ohms
VSWR:	1.5 typ.
Ant. Gain:	5.0dB min.
Axial Ratio:	1.0dB typ.
Elev. Angle Cov.:	5–90 degrees
Az. Bearing Cov.:	360 degrees
Polarization:	RHCP
System Gain:	28dB (typ. includes 4dB cable & filter loss)
Noise Figure:	<1.8dB @ fo, 2dB max.
Input Voltage:	+2.5VDC to +12VDC (Autoswitch)



Electrical Specifications Cont.

Current:	5–10mA typ. @ 5V (11–13mA max. @ 12V)
Oper. Temp. Range:	–30°C to +85°C
Mounting:	Magnetic and/or screw
Cable:	RG-174U (Low-loss, 0.7dB/m)
Cable Length:	117" +/-6" (3m)
Connector:	SMA, MCX, MMCX, other by special order
Weight:	3.32oz (94g)

Ordering Information

ANT-GPS-SH-SMA (with SMA connector)
ANT-GPS-SH-MCX (with MCX connector)
ANT-GPS-SH-MMX (with MMCX connector)