



PHC-M4-433

433MHz Compressed Helical Antenna

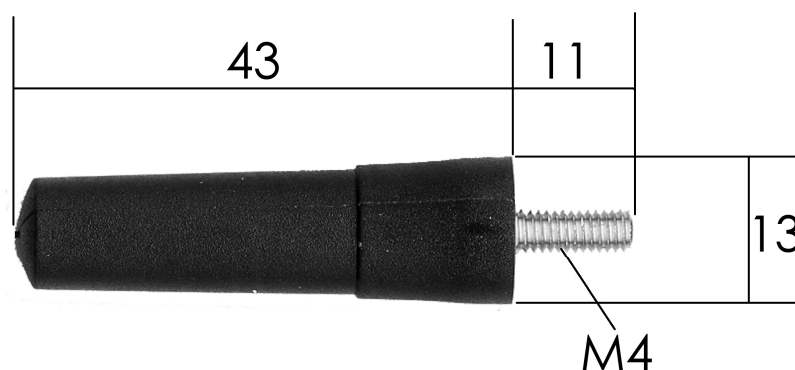
- $\frac{1}{4}$ Wavelength Compressed Helical Antenna
- Rugged Flexible Plastic Finish (Polyurithane).
- Polarisation : Vertical
- Radiation : Omni directional
- M4 Screw Fixing
- 50ohm Impedance
- Operating Temp -30 to $+85^{\circ}\text{C}$



Applications

- General Low Power Radio
- M2M Applications
- Telemetry

Mechanical Dimensions

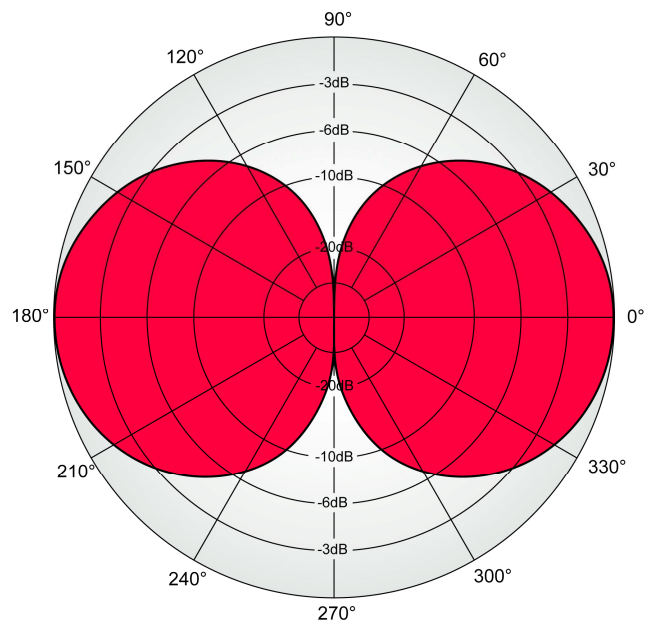




PHC-M4-433

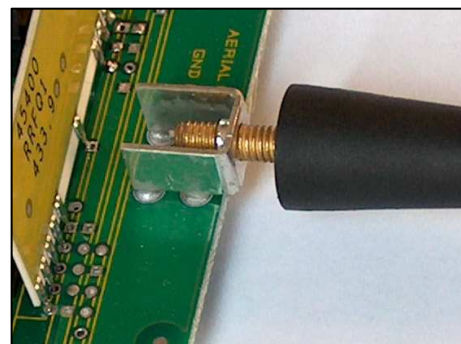
433MHz Compressed Helical Antenna

VSWR / Performance Plot



Easy PCB Mount Terminal 'SCRTM4RA'

SCRTM4RA is a PCB Mounting terminal which accept any M4 screw thread antenna. For further data please see DS-SCRTM4RA



R F Solutions Ltd.,
Unit 21, Cliffe Industrial Estate,
Lewes, E. Sussex. BN8 6JL. England.

Email : sales@rfsolutions.co.uk <http://www.rfsolutions.co.uk>

Tel: +44 (0)1273 898 000 Fax: +44 (0)1273 480 661

