

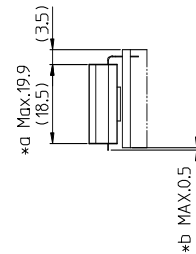
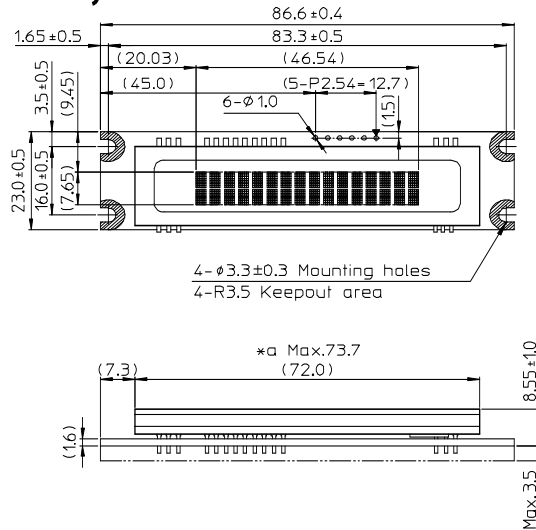
CU16024-UX3J

SIMPLIFIED DATASHEET

■ Features

16 character x 2 line display LCD compatible module.
Compact model of CU16025-UX6J.

■ Physical dimension



() Reference only

Unit:mm

*a Included extra frit glass

*b Ensure conductive / metallic surfaces do not contact pin stubs.

Get full specification



Click here to go to request form.

Specifications

■ Electrical Ratings

Parameter	Symbol	Min.	Typ.	Max.	Unit	Condition
Logic Input Voltage	VIH1	2.0	-	VCC	VDC	VCC-VSS= 5.0 V
SCK, STB	VIL1	VSS	-	0.8	VDC	
Logic Input Voltage	VIH2	0.7VCC	-	VCC	VDC	VCC-VSS= 5.0 V
SI/SO	VIL2	VSS	-	0.3VCC	VDC	
Power supply Voltage	VCC-VSS	4.75	5.00	5.25	VDC	-

■ Electrical Characteristics

Parameter	Symbol	Min.	Typ.	Max.	Unit	Condition
Logic Output Voltage	'H'	VOH	VCC-0.8	-	VDC	IOH = -4 mA
	'L'	VOL	-	0.6	VDC	IOL = 4 mA
	'H'	VOH	VCC-0.5	-	VDC	IOH = -2 mA
	'L'	VOL	-	0.5	VDC	IOL = 2 mA
Power Supply Current #1	ICC1	-	160	200	mA	Display ON
Power Supply Current #2	ICC2	-	135	170	mA	Display ON
Power Supply Current #3	ICC3	-	7	20	mA	Display OFF
Power Consumption #1	-	-	0.80	1.00	W	Display ON
Power Consumption #2	-	-	0.68	0.85	W	Display ON

#1: Brightness 200% #2: Brightness 100%

■ Optical Characteristics

Parameter	Value
Luminance	350 cd/m ² Min.
#1	1000 cd/m ² Typ.
#2	2000 cd/m ² Typ.
Color of illumination	Green (Blue-Green)

#1: Brightness 200% #2: Brightness 100%

■ Environmental Conditions

Parameter	Value
Operating Temperature	-40 ~ +85 degrees celsius
Storage Temperature	-50 ~ +85 degrees celsius
Operating Humidity	20 ~ 80% R.H. (non-condensing)
Vibration (Non operation)	10-55-10Hz, all amplitude 1mm, 30 minutes, X-Y-Z
Shock (Non operation)	980m/s ² (100G) 6ms

■ Physical Specifications

Parameter	Value
Number of char.	32 (16 x 2)
Matrix format	5 x 7 ANK, International
Display area	46.54 x 7.65 mm (X x Y)
Character size	2.065 x 3.569 mm (X x Y)
Character pitch	2.965 mm
Line pitch	4.081 mm
Weight	About 23 g

■ Interface

Synchronous Serial (CMOS)

(Synchronous Serial)

Pin No	Signal
1	VCC
2	SI/SO
3	GND
4	STB
5	SCK
6	NC

■ Functions

Parameter	Value
Brightness Boost function	Command compatible with HD44780 LCD controller
Display ON/OFF	Brightness Control
Cursor ON/OFF	8 User definable character font
etc.	



Leaflet contents, and specifications and external appearance of products, may change without notice.

Please confirm product details in the specification.

(C)Copyright NORITAKE ITRON CORP.