

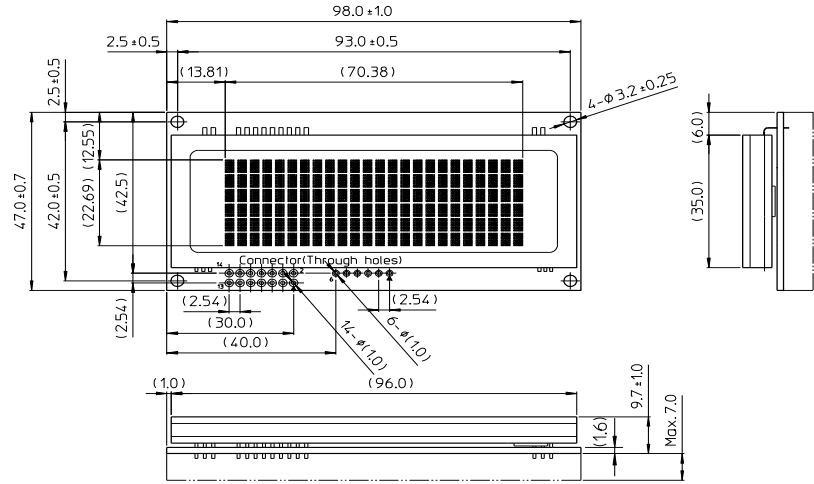
# CU24063-Y100

## SIMPLIFIED DATASHEET

### ■ Features

24 character x 6 line display.  
Compact, but capable of displaying large amount of text.

### ■ Physical dimension



( ) : Reference only  
Unit : mm

### Get full specification



Click here to go to request form.

### Specifications

#### ■ Electrical Ratings

Parameter	Symbol	Min.	Typ.	Max.	Unit	Condition
Power supply Voltage	VCC	4.75	5.00	5.25	VDC	-

#### ■ Electrical Characteristics

#1: Brightness 200% #2: Brightness 100%

Parameter	Symbol	Min.	Typ.	Max.	Unit	Condition
'L' Logic Input Current D0-D7, /WR, /RESET	IIL	-	-	-0.15	mA	VIN=0V
'H' Logic Input Current D0-D7 /WR, /RESET	IIH1 IIH2	-	-	5.0 0.25	μA	VIN=5V VIN=5V
Logic input resistance SIN	RIN	3	-	-	KOhm	-
'L' Logic Input Voltage D0-D7, /WR /RESET SIN	VIL1 VIL2 VIL3	0 0 -15	-	0.2VCC 0.8 0.5	VDC	-
'H' Logic Input Voltage D0-D7, /WR, /RESET SIN	VIH1 VIH2	0.8VCC 3.0	-	VCC +15	VDC	-
'L' Logic Output Voltage PBUSY SBUSY	VOL1 VOL2	- 0	-	0.1 0.5	VDC	IOL=50 μA RL= 3KOhm
'H' Logic Output Voltage PBUSY SBUSY	VOH1 VOH2	VCC-0.1 4.0	-	- VCC	VDC	IOH=-50 μA RL= 3KOhm
Power Supply Current #1	ICC1-1	-	320	400	mADC	Display ON
Power Supply Current #1	ICC2-1	-	260	330	mADC	Display OFF
Power Supply Current #2	ICC1-2	-	420	530	mADC	Display ON
Power Supply Current #2	ICC2-2	-	310	390	mADC	Display OFF
Power Supply Current 3	ICC3	-	25	35	mADC	Disp. Pwer OFF
Power Consumption #1		-	1.6	2.0	W	Display ON
Power Consumption #2		-	2.1	2.65	W	Display ON

#### ■ Optical Characteristics

#1: Brightness 200% #2: Brightness 100%

Parameter	Symbol	Min.	Typ.	Max.	Unit	Condition
Luminance		350 cd/m <sup>2</sup> Min.				
	#1		1000 cd/m <sup>2</sup> Typ.			
	#2		2000 cd/m <sup>2</sup> Typ.			
Color of illumination		Green (Blue-Green)				

#### ■ Environmental Conditions

Parameter	Symbol	Min.	Typ.	Max.	Unit	Condition
Operating Temperature		-40		+85	degrees celsius	
Storage Temperature		-40		+85	degrees celsius	
Operating Humidity		20		80	% R.H. (non-condensing)	
Storage Humidity		20		80	% R.H. (non-condensing)	
Vibration (Non operation)		10-55-10Hz, all amplitude 1mm, 30 minutes, X-Y-Z				
Shock (Non operation)		392m/s <sup>2</sup> (40G) 9ms X-Y-Z, 3 times each direction				

#### ■ Physical Specifications

Parameter	Value
Number of Char.	144 (24 characters X 6 lines)
Built-in Fonts	5 x 8 ANK, International font
Display Area	70.38 x 22.69 mm (X x Y)
Character Size	2.07 x 3.34 mm (X x Y)
Character Pitch	2.97 mm
Line pitch	3.87 mm
Weight	About 56 g

#### ■ Interface

Parallel (CMOS), Asynchronous Serial (RS232)

#### ■ Pin Assignment (Parallel)

Pin No	Signal	Pin No	Signal
1	GND	2	Vcc
3	PBUSY	4	/RESET
5	/WR	6	NC
7	D0(LSB)	8	D1
9	D2	10	D3
11	D4	12	D5
13	D6	14	D7(MSB)

#### (Serial)

Pin No	Signal	Baud Rate Setting
1	Vcc	9600bps
2	SIN	19200bps
3	GND	38400bps*
4	SBUSY	115200bps
5	NC	(*:factory default)
6	/RESET	

#### ■ Functions

Parameter	Value
Highlight Function	
Font Magnification	
Horizontal scroll mode	
Blink ON/OFF	
Power save mode	
Screen saver	
Cursor, Underline ON/OFF	
User Font function	
etc.	

