

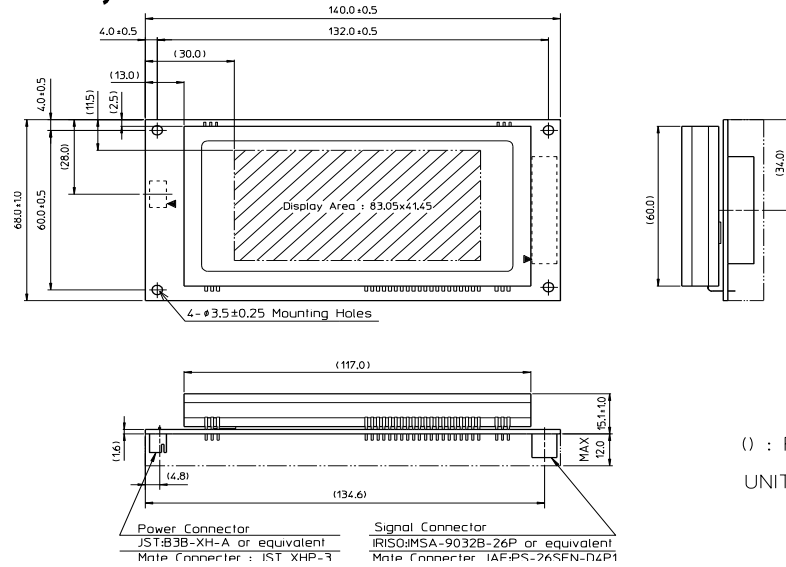
GU128X64-800B

SIMPLIFIED DATASHEET

Features

Wide viewing area, 2:1 horizontal:vertical ratio, suitable for graphic display.

Physical dimension



Get full specification



Click here to go to request form.

Specifications

Electrical Ratings

Parameter	Symbol	Min.	Typ.	Max.	Unit	Condition
Power Supply Voltage	VCC	4.75	5.00	5.25	VDC	-

Electrical Characteristics

Parameter	Symbol	Min.	Typ.	Max.	Unit	Condition
Logic Input Voltage						
H	VIH	4.0	-	-	VDC	I _{IH} =2 μA
L	VIL	-	-	1.0	VDC	I _{IL} =-600 μA
Logic Output Voltage						
H	VOH	4.7	-	-	VDC	I _{OH} =-300 μA
L	VOL	-	-	0.3	VDC	I _{OL} =300 μA
Reset Input Voltage						
H	VRH	4.0	-	-	VDC	I _{RH} =5 μA
L	VRL	-	-	0.6	VDC	I _{RL} =-600 μA
Power Supply Current	ICC	-	0.7	0.9	A	All dots ON
		-	0.55	0.75	A	All dots OFF
Power Consumption		-	3.5	4.5	W	All dots ON

Optical Characteristics

Parameter	Value
Luminance	350 cd/m ² Min.
Color of illumination	Green (Blue-Green)

Environmental Conditions

Parameter	Value
Operating Temperature	-40 ~ +85 degrees celsius
Storage Temperature	-40 ~ +85 degrees celsius
Operating Humidity	20 ~ 80% R.H. (non-condensing)
Vibration (Non operation)	10-55-10Hz, all amplitude 1mm, 30 minutes, X-Y-Z
Shock (non-operating)	539m/s ² (55G) 10ms

Physical Specifications

Parameter	Value
Number of Dots	8,192 (128 x 64)
Display Area	83.05 mm x 41.45 mm
Dot Size (X x Y)	0.5 mm x 0.5 mm
Dot Pitch (X x Y)	0.65 mm x 0.65 mm

Interface

Parallel (CMOS), Synchronous Serial (CMOS)

Pin Assignment (Signal)

Pin No.	Description			Pin No.	Description
	Parallel #1	Parallel #2	Serial		
1	D7	D7	NC	2	GND
3	D6	D6	NC	4	GND
5	D5	D5	NC	6	GND
7	D4	D4	NC	8	GND
9	D3	D3	NC	10	GND
11	D2	D2	NC	12	GND
13	D1	D1	TXD	14	GND
15	D0	D0	RXD	16	GND
17	WR	R/W	NC	18	GND
19	C/D	C/D	C/D	20	GND
21	RD	ENCK	SCK	22	GND
23	CSS	CSS	CSS	24	GND
25	FRP	FRP	FRP	26	RESET

(Power)

Pin No.	Signal
1	VCC
2	Test
3	GND

Built-in Character

None

Functions

Parameter
High-speed interface
Control command
2 Graphic Layers support
Scroll function
AND/OR/EXOR
etc.

