

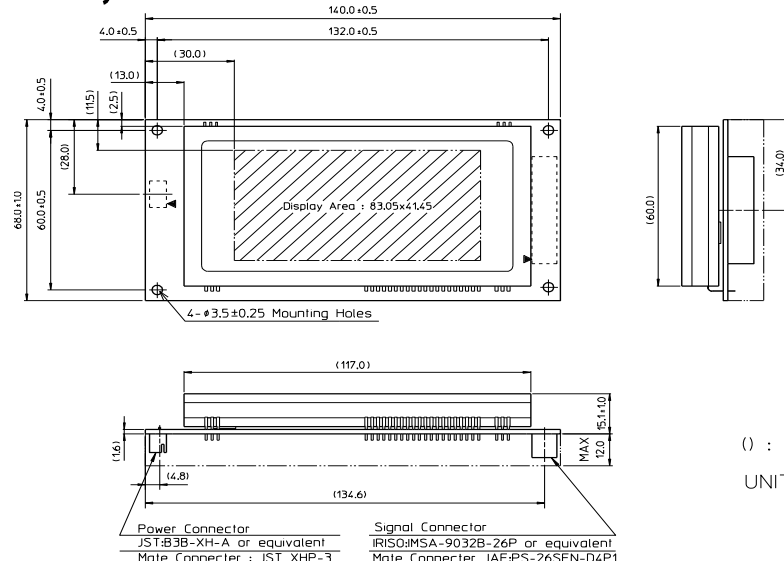
GU128X64-820B

SIMPLIFIED DATASHEET

■ Features

Wide viewing area, 2:1 horizontal:vertical ratio, suitable for graphic display.

■ Physical dimension



Get full specification



Click here to go to request form.

Specifications

■ Electrical Ratings

Parameter	Symbol	Min.	Typ.	Max.	Unit	Condition
Power Supply Voltage	VCC	4.75	5.00	5.25	VDC	-

■ Electrical Characteristics

Parameter	Symbol	Min.	Typ.	Max.	Unit	Condition
Logic Input Voltage						
H	VIH	4.0	-	-	VDC	I _{IH} =2 μA
L	VIL	-	-	1.0	VDC	I _{IL} =-600 μA
Logic Output Voltage						
H	VOH	4.7	-	-	VDC	I _{OH} =-300 μA
L	VOL	-	-	0.3	VDC	I _{OL} =300 μA
Reset Input Voltage						
H	VRH	4.0	-	-	VDC	I _{RH} =5 μA
L	VRL	-	-	0.6	VDC	I _{RL} =-600 μA
Power Supply Current	ICC	-	0.7	0.9	A	All dots ON
			0.55	0.75	A	All dots OFF
Power Consumption		-	3.5	4.5	W	All dots ON

■ Optical Characteristics

Parameter	Value
Luminance	350 cd/m ² Min.
Color of illumination	Green (Blue-Green)

■ Environmental Conditions

Parameter	Value
Operating Temperature	-40 ~ +85 degrees celsius
Storage Temperature	-40 ~ +85 degrees celsius
Operating Humidity	20 ~ 80% R.H. (non-condensing)
Vibration (Non operation)	10-55-10Hz, all amplitude 1mm, 30 minutes, X-Y-Z
Shock (non-operating)	539m/s ² (55G) 10ms

■ Physical Specifications

Parameter	Value
Number of Dots	8,192 (128 x 64)
Display Area	83.05 mm x 41.45 mm
Dot Size (X x Y)	0.5 mm x 0.5 mm
Dot Pitch (X x Y)	0.65 mm x 0.65 mm

■ Interface

Parallel (CMOS), Synchronous Serial (CMOS)

■ Pin Assignment (Signal)

Pin No.	Description			Pin No.	Description
	Parallel #1	Parallel #2	Serial		
1	D7	D7	NC	2	GND
3	D6	D6	NC	4	GND
5	D5	D5	NC	6	GND
7	D4	D4	NC	8	GND
9	D3	D3	NC	10	GND
11	D2	D2	NC	12	GND
13	D1	D1	TXD	14	GND
15	D0	D0	RXD	16	GND
17	WR	R/W	NC	18	GND
19	C/D	C/D	C/D	20	GND
21	RD	ENCK	SCK	22	GND
23	CSS	CSS	CSS	24	GND
25	FRP	FRP	FRP	26	RESET

(Power)

Pin No.	Signal
1	VCC
2	Test
3	GND

■ Built-in Character

Parameter	Value
8 x 16	ANK, International font
16 x 16	ASCII, Japanese font (JIS)
Number of characters	16 x 2 by 8x16 ASCII 8 x 2 by 16 x 16 dot Japanese

■ Functions

Parameter	Value
High-speed interface	
Control command	
2 Graphic Layers support	
Scroll function	
AND/OR/EXOR	
etc.	

