

**NEW  
30mm**

# 16, 22 & 30mm X Series E-Stop Switches

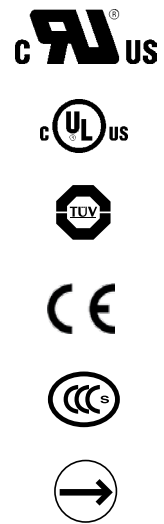
- Features**
- Plastic bezel, metallic padlock and flush bezel available (XN series)
  - Install up to 20 padlocks (XN4E)
  - ø29, ø40, ø44 or ø60mm Mushroom heads available
  - IDEC's original "safe break action" ensures that the contacts stay open when the contact block is detached from the operator.
  - Safety-lock mechanism (IEC60947-5-5, 6.2)
  - 2-in-1: Push-to-lock, Pull/Turn-to-Reset
  - Push-ON LED model allows E-Stops to be illuminated only when latched
  - Direct Opening Action mechanism (IEC60947-5-5, 5.2, IEC60947-5-1, Annex K)
  - Very short panel depth (see chart on next page)
  - Degree of protection IP65 (IEC60529)
  - RoHS compliant (EU directive 2002/95/EC). Contains no lead, cadmium, mercury, hexavalent chromium, PBB or PBDE.
  - XN4E series complies with OSHA and ISO 12100-2:2003 standards



## Specifications

**New**

|   | ø16mm - XA  | ø22mm - XW   | ø30mm - XN   |   |
|---|---|--|--|---|
| <b>Applicable Standards</b>                                   | IEC60947-5-1, EN60947-5-1, IEC60947-5-5, EN60947-5-5  |  |  |   |
|   | UL508, CSA C22.2 No. 14   |  | UL508, UL991, CSA C22.2 No. 14   |   |
| <b>Operating Temperature</b>                                  | Non-illuminated: -25 to +60°C (no freezing), Illuminated: -25 to +55°C (no freezing)  |  |  |   |
| <b>Operating Humidity</b>                                     | 45 to 85% RH (no condensation)  |  |  |   |
| <b>Storage Temperature</b>                                    | -45 to +80°C  |  |  |   |
| <b>Operating Force</b>  | Push-to-lock: 10.5N<br>Pull-to-reset: 10N<br>Turn-to-reset: 0.16N·m   | Push-to-lock: 32N<br>Pull-to-reset: 21N<br>Turn-to-reset: 0.27 N·m         | XN1E, XN5E<br>Push-to-lock: 32N<br>Pull-to-reset: 21N<br>Turn-to-reset: 0.27 N·m   | XN4E<br>Push-to-lock: 32N<br>Pull-to-reset: N/A<br>Turn-to-reset: 0.4 N·m |
| <b>Minimum Force Required for Direct Opening Action</b>       | 60N   | 80N  |  |   |
| <b>Min Operator Stroke Required for Direct Opening Action</b> | 4mm   |  |  |   |
| <b>Maximum Operator Stroke</b>                                | 4.5mm   |  |  |   |
| <b>Contact Resistance</b>                                     | 50mΩ maximum (initial value)  |  |  |   |
| <b>Contact Material</b>                                       | Gold plated silver  |  |  |   |
| <b>Insulation Resistance</b>                                  | 100MΩ minimum (500V DC megger)  |  |  |   |
| <b>Impulse Withstand Voltage</b>                              | 2.5kV   |  |  |   |
| <b>Pollution Degree</b>                                       | 3 (inside LED unit: 2)  | 3  |  |   |
| <b>Operation Frequency</b>                                    | 900 operations/hour   |  |  |   |
| <b>Shock Resistance</b>                                       | Operating extremes: 150m/s <sup>2</sup> (15G), Damage limits: 1000m/s <sup>2</sup> (100G)   |  |  |   |
| <b>Vibration Resistance</b>                                   | Operating extremes: 10 to 500Hz, amplitude 0.35mm acceleration 50m/s <sup>2</sup><br>Damage limits: 10 to 500Hz, amplitude 0.35mm acceleration 50m/s <sup>2</sup> |  |  |   |
| <b>Mechanical Life</b>  | 250,000 operations minimum  |  |  |   |
| <b>Electrical Life</b>  | 100,000 operations minimum, 250,000 operations minimum (24V AC/DC, 100mA)   |  |  |   |
| <b>Degree of Protection</b>                                   | IP65 (IEC60529)   | Operator: IP65 (IEC60529)<br>Terminal: IP20 (when XW9Z-VL2MF is installed) |  |   |
| <b>Conditional Short-circuit Current</b>                      | 1000A   |  |  |   |
| <b>Terminal Style</b>   | Solder terminal, PC board terminal  | M3.0 screw terminal  |  |   |
| <b>Recommended Tightening Torque for Locking Ring</b>         | 0.88N·m   | 2.0 N·m  | 2.5 N·m  |   |
| <b>Connectable Wire</b>                                       | 1.25mm <sup>2</sup> maximum (16 AWG max)  |  | 0.75 to 1.25mm <sup>2</sup> (16 AWG max)   |   |
| <b>Soldering Conditions</b>                                   | 310 to 350°C, 3 seconds maximum   |  |  |   |
| <b>Weight</b>   | ø29mm: 23g<br>ø40mm: 28g  | ø40mm: 72g<br>ø60mm: 81g   | Plastic bezel: 83g (ø40 mm), 93g (ø60 mm)<br>Flush bezel: 89g<br>Padlock type: 20g |   |



## Contact Ratings

|                                      |                              |                        |                              |            |      |       |      |
|--------------------------------------|------------------------------|------------------------|------------------------------|------------|------|-------|------|
| <b>Rated Insulation Voltage (Ui)</b> |                              | XA                     | 300V (illuminated part: 60V) |            |      |       |      |
|                                      |                              | XW, XN                 | 250V                         |            |      |       |      |
| <b>Rated Current (Ith)</b>           |                              | XA, XW, XN             | 5A                           |            |      |       |      |
| <b>Rated Operating Voltage (Ue)</b>  |                              |                        | 30V                          | 125V       | 250V |       |      |
|                                      |                              |                        |                              |            |      |       |      |
| <b>Rated Operating Current</b>       | <b>Main Contacts (NC)</b>    | AC 50/60 Hz            | Resistive Load (AC-12)       | XA         | –    | 3A    | 3A   |
|                                      |                              |                        |                              | XW, XN     | –    | 5A    | 3A   |
|                                      |                              | Inductive Load (AC-15) | XA                           | –          | 1.5A | 1.5A  |      |
|                                      |                              |                        | XW, XN                       |            | 3A   | 1.5A  |      |
|                                      |                              | DC                     | Resistive Load (DC-12)       |            | 2A   | 0.4A  | 0.2A |
|                                      |                              |                        | Inductive Load (DC-13)       |            | 1A   | 0.22A | 0.1A |
|                                      | <b>Monitor Contacts (NO)</b> | AC 50/60 Hz            | Resistive Load (AC-12)       | XA, XW, XN | –    | 1.2A  | 0.6A |
|                                      |                              |                        | Inductive Load (AC-14)       |            | –    | 0.6A  | 0.3A |
|                                      |                              | Resistive Load (DC-12) | 2A                           |            | 0.4A | 0.2A  |      |
|                                      |                              |                        | Inductive Load (DC-13)       |            | 1A   | 0.22A | 0.1A |

- Minimum applicable load: 5V AC/DC, 1mA (reference value).
- The rated operating currents are measured at resistive/inductive load types specified in IEC 60947-5-1.

## Part Numbers

### XA1E - L V 3 11 Q4 V- R

**Illumination**  
B: Non-Illuminated  
L: Illuminated

**Mushroom Size**  
3: ø29mm  
4: ø40mm

**Contact Configuration\***  
11: 1NO - 1NC  
02: 2NC  
13: 1NO - 3NC  
04: 4NC

**Terminal**  
blank: solder tab  
V: PCB

**Voltage Code**  
blank: Non-Illuminated  
Q4: Illuminated 24V AC/DC

### XW1E - L V 4 11 Q4M - R

**Illumination**  
B: Non-Illuminated  
L: Illuminated LED  
T: Illuminated  
Push-ON LED

**Mushroom Size**  
4: ø40mm  
5: ø60mm  
(non-illuminated only)

**Contact Configuration\***  
11: 1NO - 1NC  
02: 2NC  
13: 1NO - 3NC  
04: 4NC  
22: 2NO-2NC  
12: 1NO-2NC (Push-ON LED only)

**Voltage Code**  
blank: Non-Illuminated  
Q4: Illuminated 24V AC/DC

### XN1E - L V 4 02 Q4 MR

**Bezel**  
1: Plastic Bezel  
4: Padlock  
5: Flush Bezel

**Illumination**  
XN1E, XN5E  
BV: Non-Illuminated  
LV: Illuminated LED  
TV: Illuminated  
Push-ON LED

XN4E  
BL: Non-Illuminated  
LL: Illuminated LED  
TL: Illuminated  
Push-ON LED

**Mushroom Size**  
4: ø40mm: XN1E, XN5E  
ø44mm: XN4E  
5: ø60mm  
(XN1E non-illuminated only)

**Contact Configuration\***  
11: 1NO - 1NC  
02: 2NC  
13: 1NO - 3NC  
22: 2NO - 2NC  
04: 4NC  
12: 1NO-2NC (Push-ON LED only)

**Voltage Code**  
blank: Non-Illuminated  
Q4: 24V AC/DC (Illuminated & Push-ON LED type)

\*Contact IDEC for additional contact configurations.

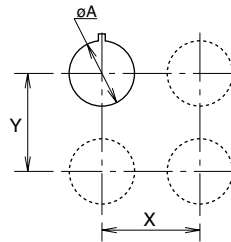
## Illuminated Unit LED Ratings

| Model   | Rated Voltage | Operating Voltage | Rated Current |
|---------|---------------|-------------------|---------------|
| 16mm XA | 24V AC/DC     | 24V AC/DC ±10%    | 11mA          |
| 22mm XW |               |                   | 15mA          |
| 30mm XN |               |                   | 15mA          |

## Depth Behind the Panel

| Model   | Depth (mm) | Description  |
|---------|------------|--|
| 16mm XA | 27.9       | 1 - 4 contacts, both illuminated & non-illuminated |
| 22mm XW | 48.7       | 1 - 4 contacts, both illuminated & non-illuminated |
| 30mm XN | 47.7       | 1 - 4 contacts, plastic bezel                      |
|         | 60.4       | 1 - 4 contacts, flush bezel                        |
|         | 61.4       | 1 - 4 contacts, padlock                            |

## Mounting Hole Layout



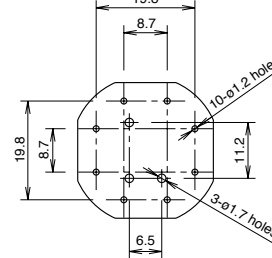
Measurements

| Size            | Model | øA                   | X & Y    |
|-----------------|-------|----------------------|----------|
| 16mm XA         | ø29mm | 16.2 <sup>+0.2</sup> | 40mm min |
|                 | ø40mm |                      | 50mm min |
| 22mm XW         |       | 22.3 <sup>+0.4</sup> | 70mm min |
| 30mm XN1E, XN5E |       | 30.5 <sup>+0.5</sup> | 70mm min |

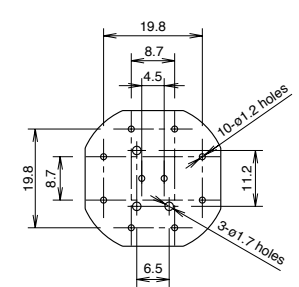
Note: For XN4E, determine the values according to the size and number of padlocks and hasp.

## PC Board Layout - Bottom View (for 16mm XA only)

Non-Illuminated



Illuminated

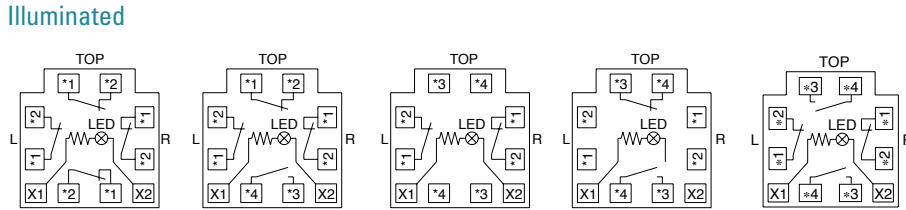
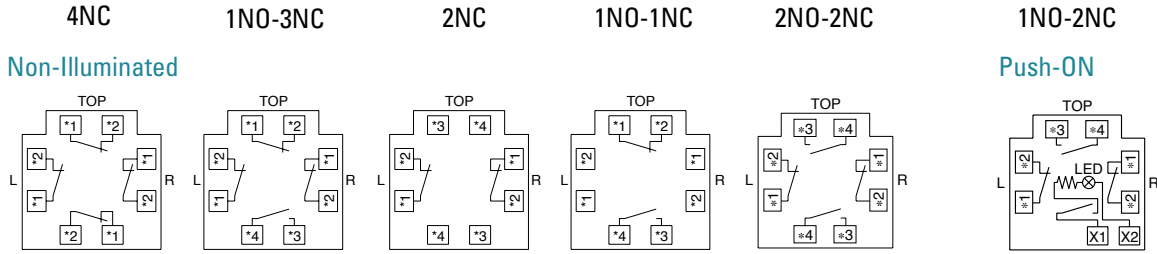


XN4E-LL411MR

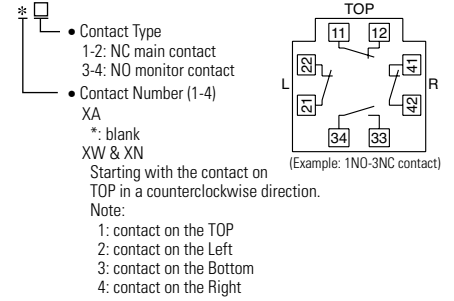


XN5E-BV411MR

## Terminal Arrangements (Bottom View)

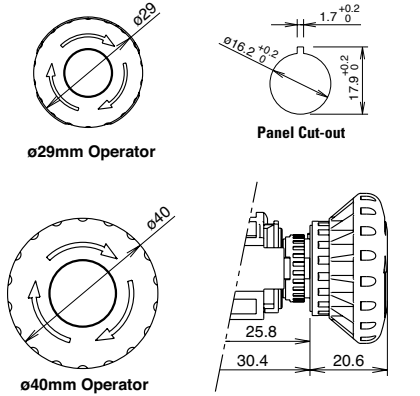


## Terminal Marking Description

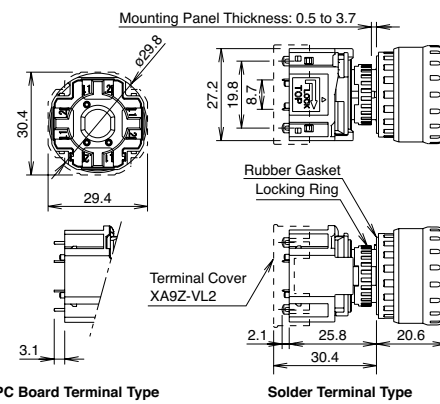


## Dimensions (mm)

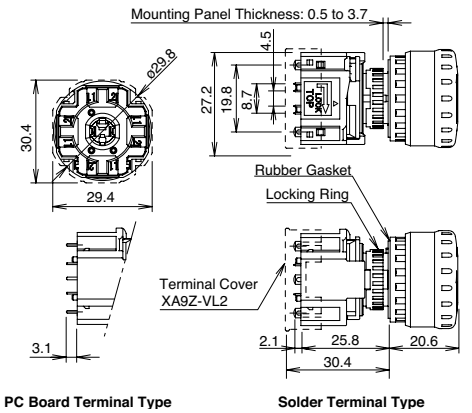
### 16mm XA



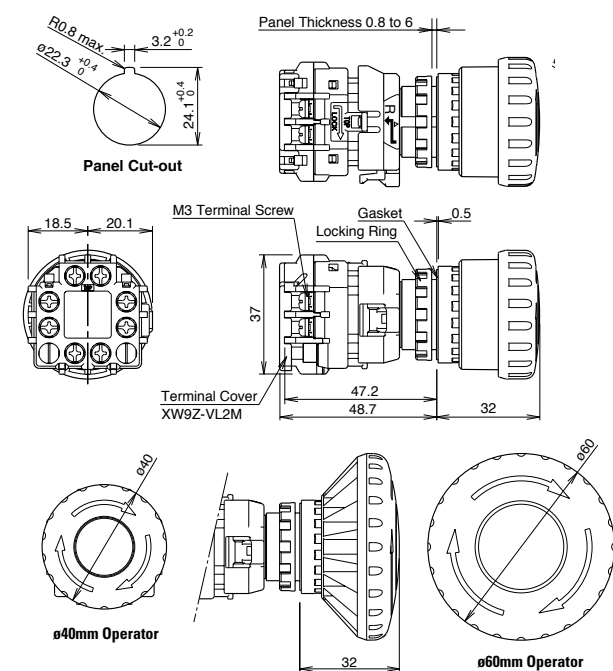
### 16mm XA Non-Illuminated



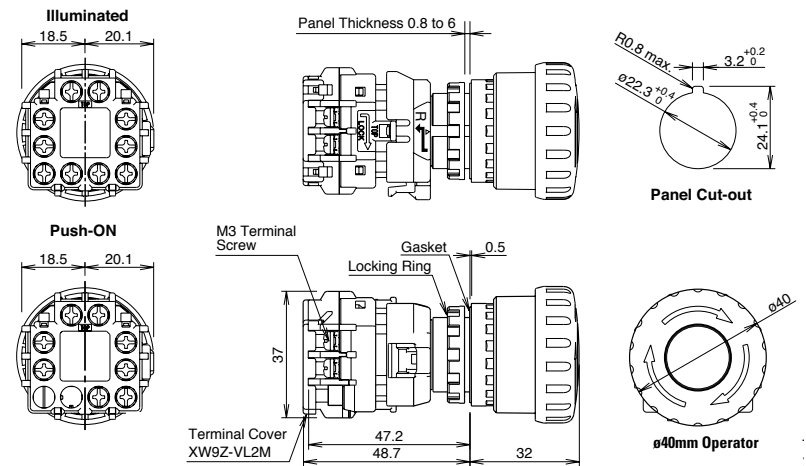
### 16mm XA Illuminated



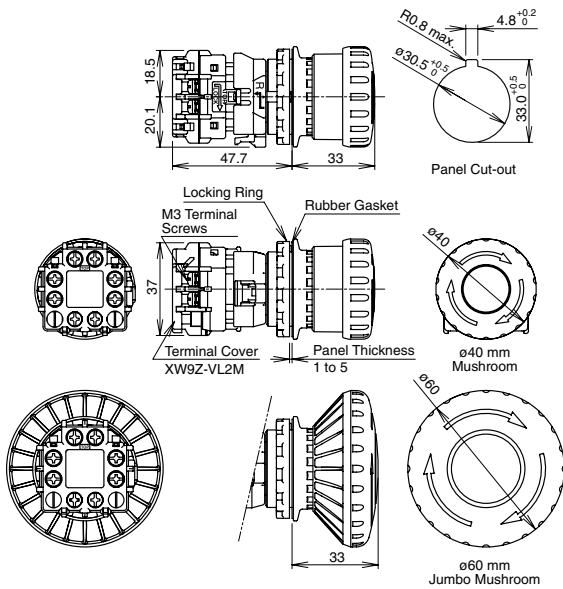
### 22mm XW Non-Illuminated (with terminal cover)



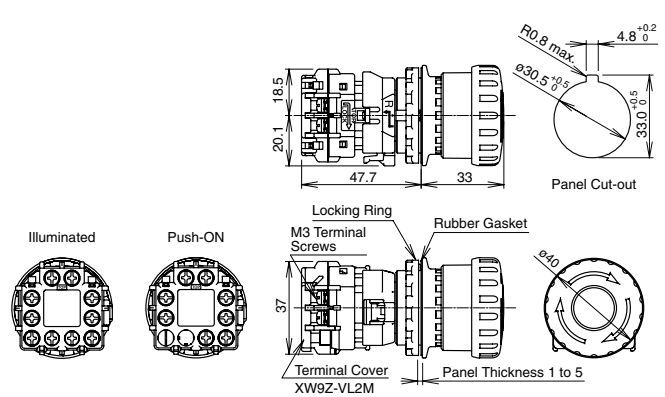
### 22mm XW LED Illuminated/ Push-ON (with terminal cover)



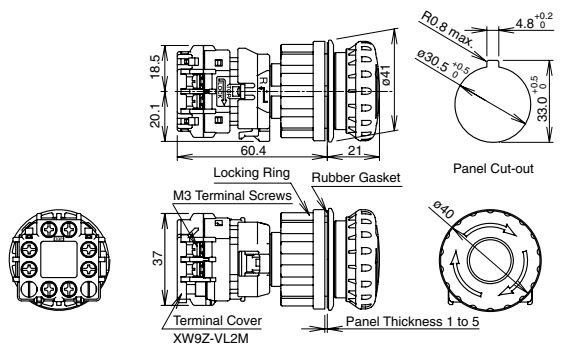
### 30mm XN1E Non-Illuminated (with terminal cover)



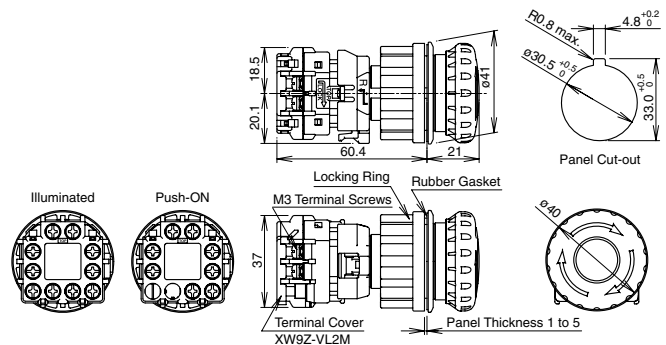
### 30mm XN1E Illuminated/Push-ON (with terminal cover)



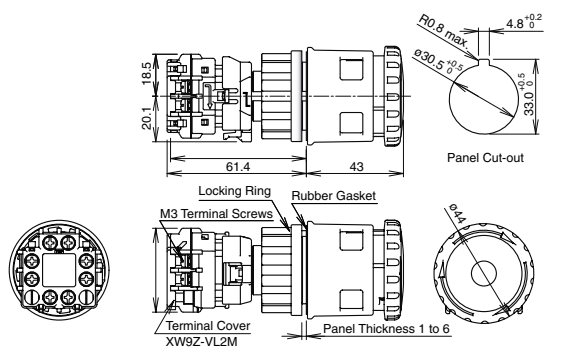
### 30mm XN5E Non-Illuminated (with terminal cover)



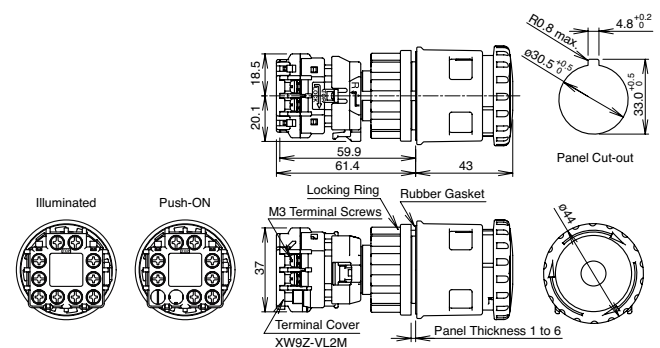
### 30mm XN5E Illuminated/Push-ON (with terminal cover)



### 30mm XN4E Non-Illuminated (with terminal cover)



### 30mm XN4E Illuminated/Push-ON (with terminal cover)



## Accessories

| Model     | Description                           | Part Number  |
|-----------|---------------------------------------|--------------|
| XA        | Replacement LED Unit: Solder Terminal | XA9Z-LED2R   |
|           | Replacement LED Unit: PCB Terminal    | XA9Z-LED2VR  |
|           | Terminal Cover for contact block      | XA9Z-VL2     |
| XW and XN | Terminal Cover for contact block      | XW9Z-VL2M    |
|           | IP20 Fingersafe Cover                 | XW9Z-VL2MF   |
| XN        | Locking Ring Wrench                   | XN9Z-T1      |
|           | Locking Ring Twist Wrench             | TWST-T1      |
|           | Lockout Hasp                          | XN9Z-HASP421 |

For more information on the these and other IDEC E-Stops, visit:

[www.IDEC.com/usa/estop](http://www.IDEC.com/usa/estop)

IDEC Corporation • 1175 Elko Drive  
Sunnyvale, CA 94089 • 800-262-IDEC (4332)  
Fax: 408-745-5258 • [www.IDEC.com/usa](http://www.IDEC.com/usa)

©2010 IDEC Corporation. All Rights Reserved.  
Catalog No. XS9Y-DS100-1 01/10 10K