

# SERIES

## SPD125R & SPD127R SPD125 & SPD127

### Shielded Surface Mount Inductors

RoHS  
Compliant

Traditional  
First Quality

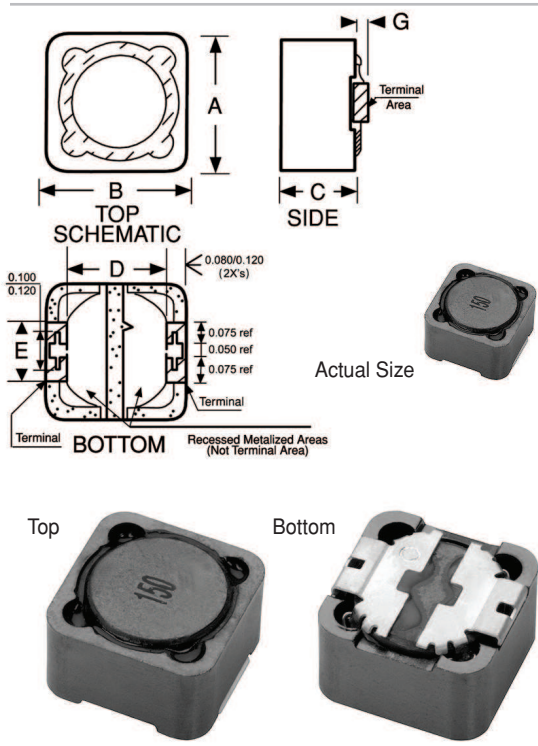
DASH NUMBER\*

INDUCTANCE (μH) ±20%

TEST FREQUENCY (kHz)

DC RESISTANCE  
MAXIMUM (OHMS)

CURRENT RATING  
TYPICAL (AMPS)



#### Physical Parameters

	Inches	Millimeters
A	0.472 ± 0.032	12.0 ± 0.8
B	0.472 ± 0.032	12.0 ± 0.8
C	0.236 Max.	6.0 Max. (Series SPD125)
	0.315 Max.	8.0 Max. (Series SPD127)
D	0.300 ± 0.020	7.6 ± 0.5
E	0.198 ± 0.020	5.0 ± 0.5
F	0.086 ± 0.020	2.18 ± 0.5
G	0.015 Ref. only	0.38 Ref. only
H	0.075 Ref. only	1.91 Ref. only
I	0.198 Ref. only	5.03 Ref. only

**Mechanical Configuration** Units designed for surface mounting; ferrite core and ferrite sleeve

**Operating temperature range** -55°C to +125°C

#### Application Frequency Range

Values 2.2μH to 10μH to 1.0 MHz Min.  
Values above 10μH to 300 kHz Min.

**Current Rating at 25°C Ambient** The maximum DC current that will cause a 40°C maximum temperature rise and where the inductance will not decrease by more than 10% from its zero DC value

**Marking** For values lower than 10 μH the R indicates a decimal point and the remaining digits indicate the inductance in μH. For values 10 μH and above, the first two digits indicate the inductance in μH and the third digit indicates the number of trailing zeros where a zero indicates that there are no trailing zeros.

Example: SPD125R-222M (2.2 μH)  
2R2

Example: SPD127R-105M (1,000 μH)  
102

**Packaging** Tape & reel (24mm):  
13" reel, 500 pieces max.; 7" reel not available

SERIES SPD125 FERRITE CORE & SLEEVE				
-222M	2.2	100	0.020	7.00
-332M	3.3	100	0.030	5.50
-472M	4.7	100	0.040	5.00
-682M	6.8	100	0.050	4.50
-103M	10	100	0.055	4.00
-123M	12	1.0	0.060	3.50
-153M	15	1.0	0.065	3.30
-183M	18	1.0	0.070	3.00
-223M	22	1.0	0.075	2.80
-273M	27	1.0	0.085	2.30
-333M	33	1.0	0.095	2.10
-393M	39	1.0	0.105	2.00
-473M	47	1.0	0.115	1.80
-563M	56	1.0	0.135	1.60
-683M	68	1.0	0.170	1.50
-823M	82	1.0	0.190	1.40
-104M	100	1.0	0.210	1.30
-124M	120	1.0	0.250	1.10
-154M	150	1.0	0.300	1.00
-184M	180	1.0	0.350	0.90
-224M	220	1.0	0.420	0.80
-274M	270	1.0	0.510	0.75
-334M	330	1.0	0.600	0.70
-394M	390	1.0	0.750	0.65
-474M	470	1.0	0.820	0.60
-564M	560	1.0	1.000	0.55
-684M	680	1.0	1.300	0.50
-824M	820	1.0	1.650	0.45
-105M	1000	1.0	2.000	0.40

SERIES SPD127 FERRITE CORE & SLEEVE				
-222M	2.2	100	0.015	8.50
-332M	3.3	100	0.018	7.50
-472M	4.7	100	0.022	6.80
-682M	6.8	100	0.030	6.20
-103M	10	100	0.040	5.40
-123M	12	1.0	0.045	4.90
-153M	15	1.0	0.048	4.50
-183M	18	1.0	0.052	3.90
-223M	22	1.0	0.055	3.60
-273M	27	1.0	0.060	3.40
-333M	33	1.0	0.065	3.00
-393M	39	1.0	0.080	2.80
-473M	47	1.0	0.100	2.50
-563M	56	1.0	0.120	2.30
-683M	68	1.0	0.140	2.10
-823M	82	1.0	0.170	1.90
-104M	100	1.0	0.220	1.70
-124M	120	1.0	0.250	1.60
-154M	150	1.0	0.320	1.40
-184M	180	1.0	0.360	1.30
-224M	220	1.0	0.390	1.20
-274M	270	1.0	0.520	1.10
-334M	330	1.0	0.620	1.00
-394M	390	1.0	0.750	0.90
-474M	470	1.0	0.980	0.80
-564M	560	1.0	1.150	0.75
-684M	680	1.0	1.220	0.70
-824M	820	1.0	1.400	0.65
-105M	1000	1.0	1.540	0.62

\*Complete part # must include series # PLUS the dash #

For surface finish information, refer to [www.delevanfinishes.com](http://www.delevanfinishes.com)