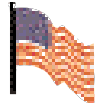
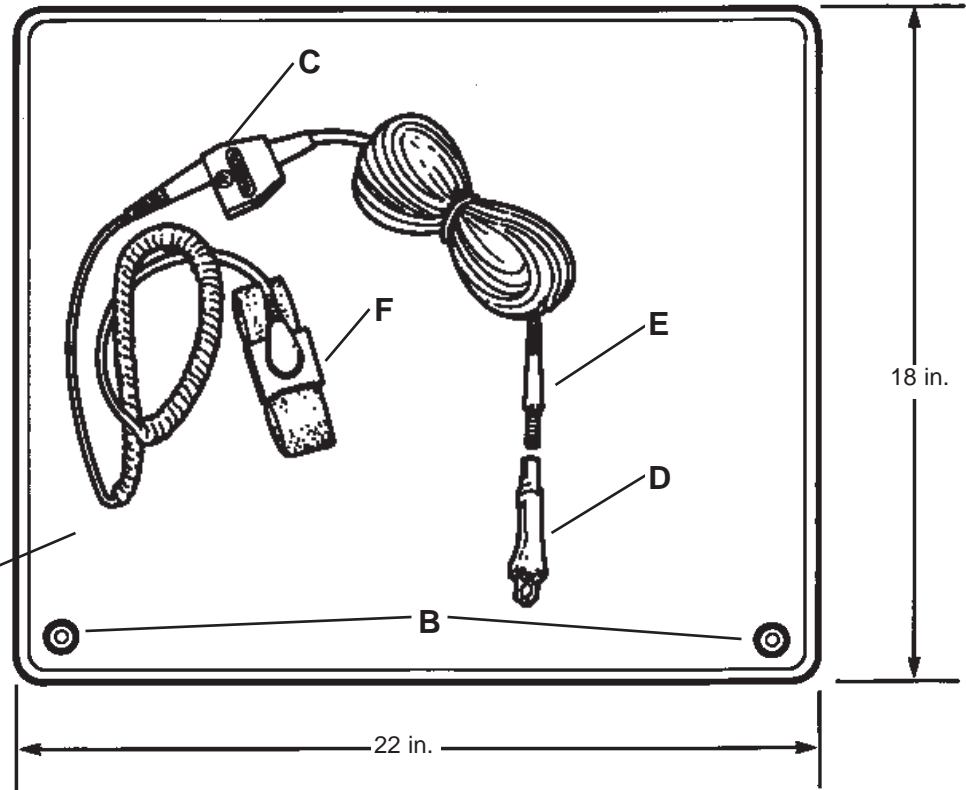


- A. Material is .018" (0.46mm) thick, red static dissipative vinyl. Surface resistance on both sides is 10E6 - 10E8 ohms, per ANSI/ESD S4.1
- B. Two ground points, 10mm (.395") female sockets, riveted to material.
- C. Common point ground cord, with 1 megohm resistor, 15' long high flex 20 AWG wire with black PVC .107" O.D. insulation. Ground terminations are 10mm (.395") male snap with two un-resisted banana jacks for grounding wrist straps.
- D. A large detachable screw-on grounding clip (item 09750) is included to connect to a ground point. The large, insulated clip provides plenty of holding power.
- E. Molded, 10-32 threaded metal end can fit into ground socket on 3-wire AC electrical outlet.
- F. Item 16475 includes one adjustable elastic wrist band and one six foot coil cord with a 1 megohm resistor. (See Drawings 14810 and 14010, respectively.)
- G. Canvas field service carrying case included.



Made in America

**Specifications:**

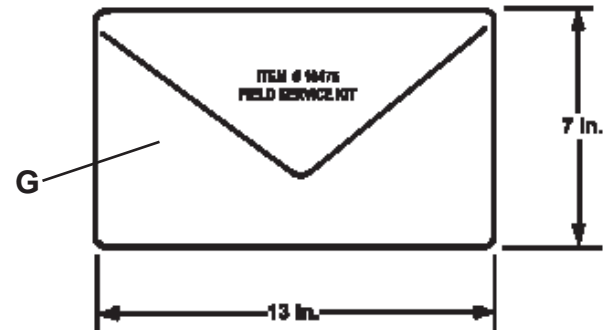
Color	Red
Thickness	0.018" (0.46mm)
Bursting Strength	400 PSI

**Electrical Properties:**

RTT(Point to Point)	10E6 - 10E8 Ohms	per ANSI/ESD-S4.1
Charge Decay	0.01 Sec. 5000V to 0V 12% RH	per FTMS 101C-4046.1

Dissipative worksurface slows charge removal; meets ANSI/ESD S20.20 worksurface required limit and recommendation of ANSI/ESD S4.1

For complete information on field service kits, ask for Technical Bulletin TB-2011.



**KIT, FIELD SERVICE, VINYL, 18" x 22", RED**

**DESCO**

DESCO WEST: 3651 WALNUT AVE., CHINO, CA 91710 WEB SITE: www.desco.com  
 PHONE (909) 627-8178 FAX (909) 627-7449  
 DESCO EAST: 90 HUDSON RD, CANTON, MA 02021-1407  
 PHONE (781) 821-8370 FAX (781) 575-0172

**DRAWING NUMBER**  
16475

**DATE:**  
July 2008