

Ionizer Mounting Arm Installation and Operation

Description

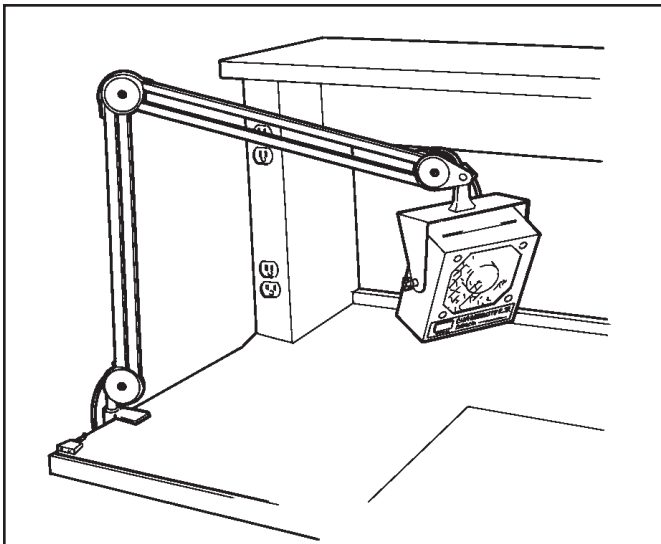


Figure 1. 60460 Ionizer Mounting Arm

The Desco 60460 Ionizer Mounting Arm is designed as a mounting alternative for the 60500 Chargebuster Jr. ionizer. The 60460 allows a Jr. ionizer to be mounted off the bench top, saving valuable work bench space. The articulated movement of the arm assembly allows the user to focus the ionizer's output directly onto the desired areas, or across the entire work area.

The Ionizer Mounting Arm includes a C-clamp style mounting system for ease of installation. The arm also includes a three prong power cord with an IEC termination.

Installation

Remove the mounting arm from the carton and inspect for damage. Included with the unit should be:

- 1 - C-clamp mounting system
- 1 - Arm with IEC cord installed.

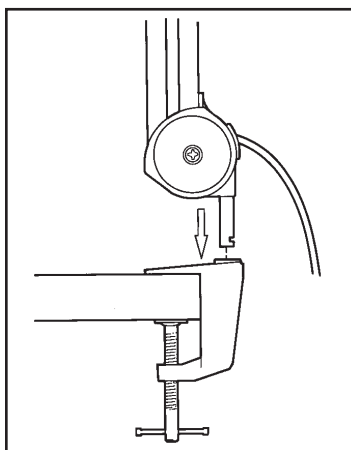


Figure 2. Installing mounting arm on workbench

Mount the arm in the desired position using the C-clamp mounting system. Figure 2 shows proper mounting of the arm on a workbench.

The custom neck piece on the arm allows for easy mounting of a standard Jr. ionizer via the stand assembly. The ionizer should be mounted to the arm by tightening the bolt onto the neck piece as shown in Figure 3.

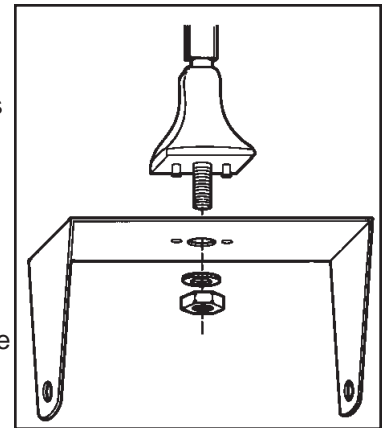


Figure 3. Installing Chargebuster Jr. to Ionizer Mounting Arm

Specifications

- Construction: 0.5" square, 20 gauge, cold rolled steel
- Size: 40" extended
- Weight Capacity: 3.0 - 4.0 lbs.

Limited Warranty

Desco expressly warrants that for a period of one (1) year from the date of purchase, Desco Ionizer Mounting Arms will be free of defects in material (parts) and workmanship (labor). Within the warranty period, a unit will be tested, repaired or replaced at Desco's option, free of charge. Call Customer Service at 909-627-8178 (Chino, CA) or (781) 821-8370 (Canton, MA) for Return Material Authorization (RMA) and proper shipping instructions and address. You should include a copy of your original packing slip, invoice, or other proof of purchase date. Any unit under warranty should be shipped prepaid to the Desco factory. Warranty repairs will take approximately two weeks.

If your unit is out of warranty, Desco will quote repair charges necessary to bring your unit to factory standards. Call Customer Service at 909-627-8178 (Chino, CA) or (781) 821-8370 (Canton, MA) for Return Material Authorization (RMA) and proper shipping instructions and address.

Warranty Exclusions

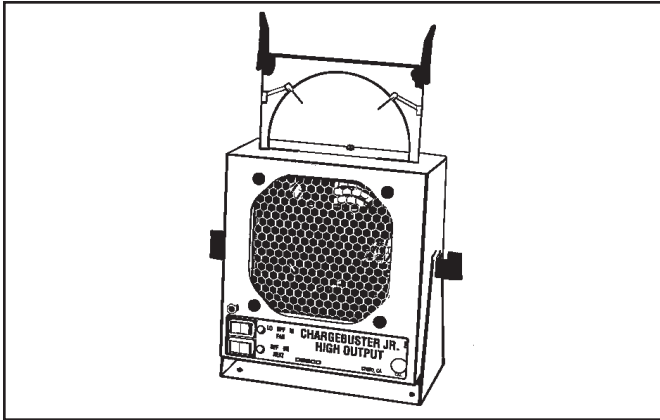
THE FOREGOING EXPRESS WARRANTY IS MADE IN LIEU OF ALL OTHER PRODUCT WARRANTIES, EXPRESSED AND IMPLIED, INCLUDING MERCHANTABILITY AND FITNESS FOR A PARTICULAR PURPOSE WHICH ARE SPECIFICALLY DISCLAIMED. The express warranty will not apply to defects or damage due to accidents, neglect, misuse, alterations, operator error, or failure to properly maintain, clean or repair products.

Limit of Liability

Electronic ionizers use high voltage corona discharge and should not be used in or near flammable or explosive environments. In no event will Desco or any seller be responsible or liable for any injury, loss or damage, direct or consequential, arising out of the use of or the inability to use the product. Before using, users shall determine the suitability of the product for their intended use, and users assume all risk and liability whatsoever in connection therewith.

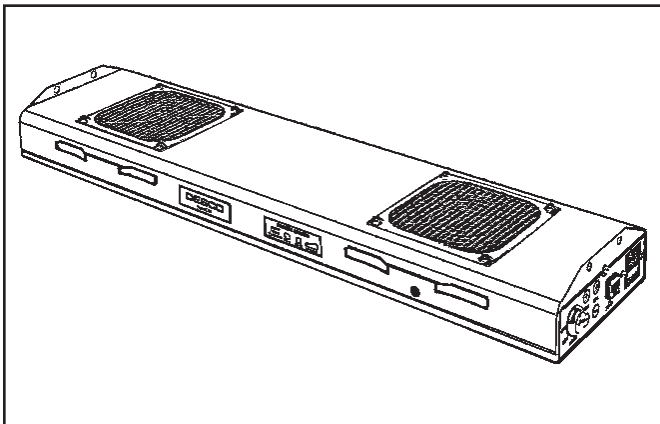
Other Ionization Products Available from Desco

Chargebuster Jr. H/O (Item 60500)



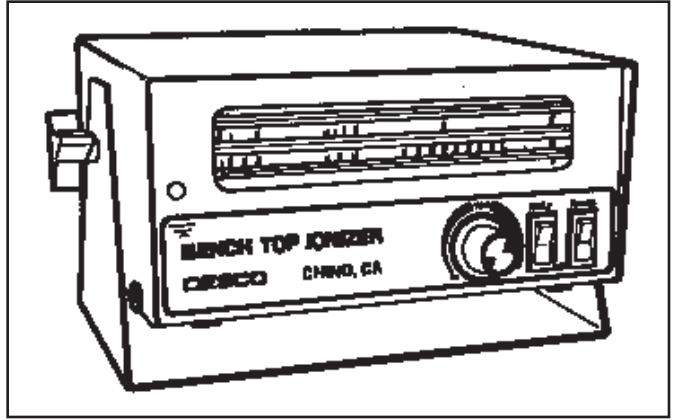
The Chargebuster Jr. H/O is a self-contained, auto-balancing bench top ionizer which features replaceable emitter cassettes. The state of the art auto-balancing design ensures that ion output remains balanced, despite variations in the voltage, speed and the condition of the emitter points. The Jr.'s compact and lightweight design makes the unit highly portable and takes up minimum bench space. This unit is ideally suited for field service technicians or any other application where mobility is a requirement. For detailed information on this product ask for Technical Bulletin TB-2095.

Critical Environment Ionizer (Item 60478)



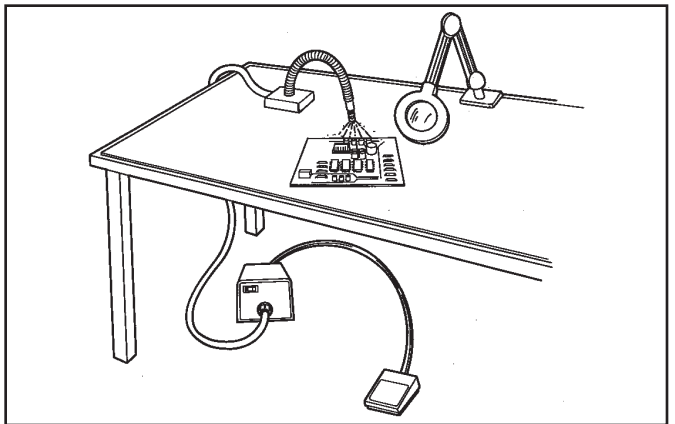
The Desco Critical Environment Ionizer is a minimal contamination ionizer designed for use in cleanrooms. It facilitates rapid static charge neutralization of insulators via multiple high output fans. The patented emitter cassettes slide out easily for cleaning and replacement allowing for faster and better cleaning away from the workstation and away from your product. For more detailed information on this product, ask for Technical Bulletin TB-2087.

Bench Top Ionizer (Item No. 19500)



The Bench Top Ionizer utilizes the unique patented Faraday balance system, which allows the unit to automatically maintain a balanced ion output even in the most extreme environments. It has been designed to emit ions in a true laminar flow, which effectively reduces ion recombination, emitter contamination and gives it superior performance in neutralizing static charges at greater distances. For detailed information on this product ask for Technical Bulletin TB-2016.

Ion Python Air Nozzle (Item No. 19585)



The 19585 ionizer has been designed to be mounted at the workbench, and is controlled by a foot pedal. This allows the operator to keep both hands in operation by controlling the ionization process by foot. This unit incorporates a filter at the point of ionization so that moisture and oil will not contaminate the ionizer. The unit can also be used with a photo-electric sensor to actuate the ionizer. For detailed information on this product ask for Technical Bulletin TB-2079.

DESCO WEST - 3651 Walnut Avenue, Chino, CA 91710 • (909) 627-8178 • Fax (909) 627-7449
DESCO EAST - One Colgate Way, Canton, MA 02021-1407 • (781) 821-8370 • Fax (781) 575-0172 • Web Site: <http://www.desco.com>