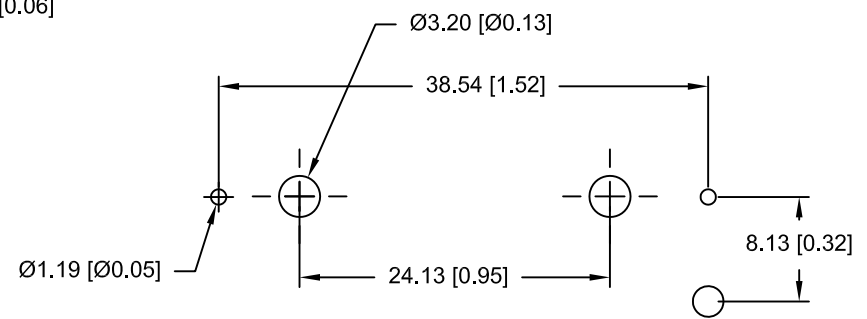
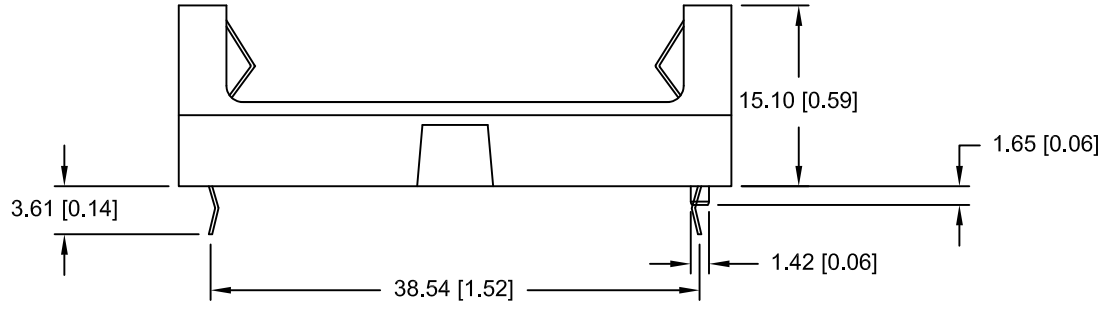
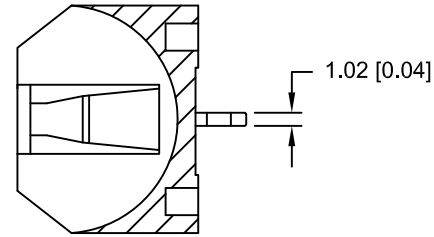
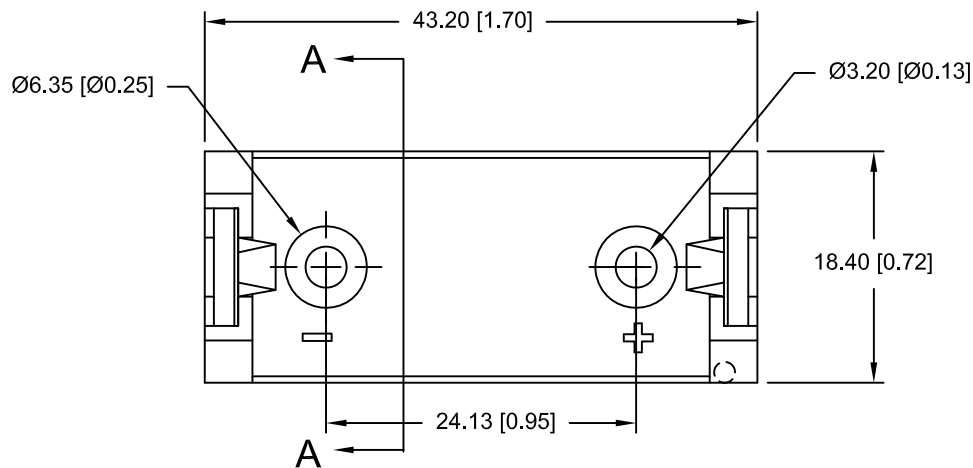


Date	SYM	REVISION RECORD	AUTH	DR.	CK.
09/02/11	A	Added UL rating and temp.	T.B.	B.S.	
09/16/11	B	Updated notes	T.B.	B.S.	
3/07/14	C	Updated to ROHS 2 Compliant	T.B.	B.S.	



PC BOARD LAYOUT

**NOTES:**  
 Material: Self-extinguishing Thermoplastic Polyester, color black  
 Temperature Range: -40°C to +180°C  
 Contacts: 302 Stainless Steel Spring Temper, Nickel Plated  
 Flammability Rating: UL 94V-0  
 Dielectric Strength: 560 Volts/Mil. at 25°C for 5 Sec.  
 Resistance to Solvents: Xylene, ethyl, butyl, methyl & toluene  
 ROHS 2 COMPLIANT

Tolerance (Except as noted)	<b>Memory Protection Devices, Inc</b> 200 Broad Hollow Road, Farmingdale, New York 11735		
decimal ±.5 (.02)		Scale 2=1	Drawn By T.S. Approved By T.B.
Fractional ± .8 (.03)	Title 2/3A BATTERY HOLDER		
Angular ± 3°	Date 3/07/14	Drawing Number 6S 2/3A	