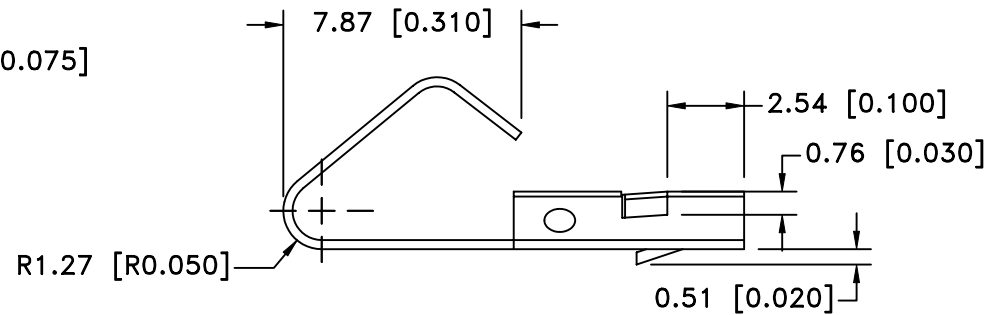
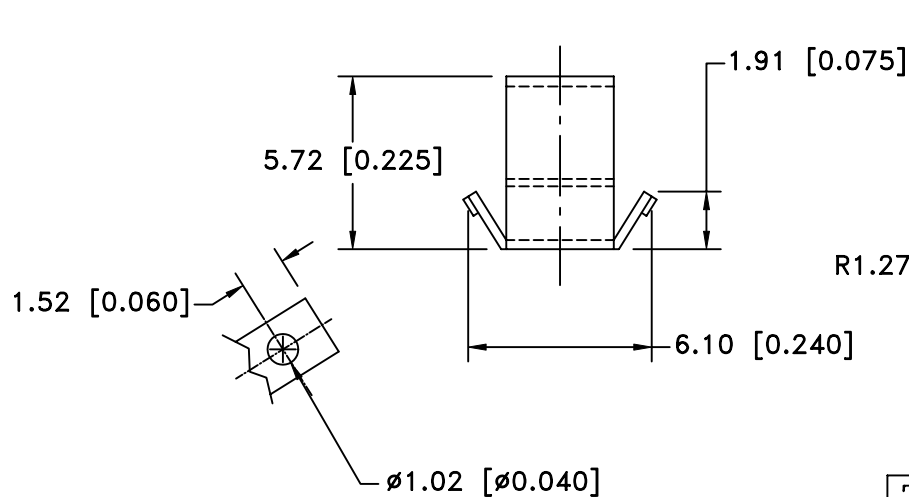
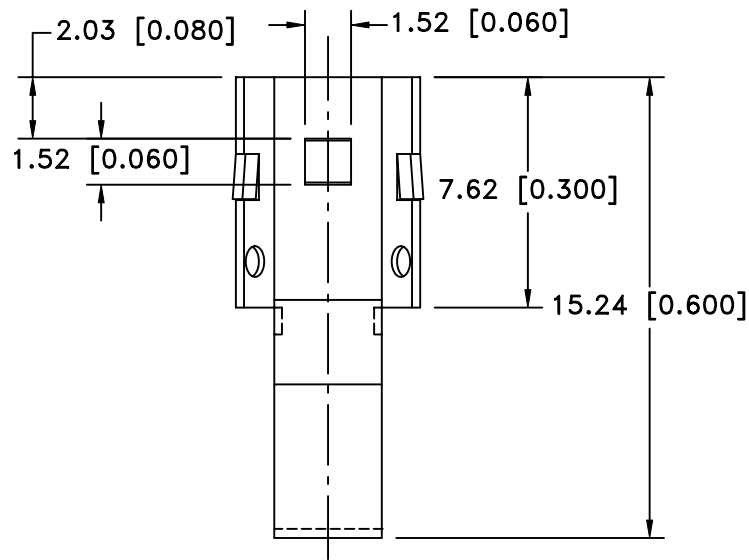



Date	SYM	REVISION RECORD	AUTH	DR.	CK.
05/01/01	A	ADDED LOCKING TAB	T.B.	B.S.	
01/31/04	B	REDRAWN WITH NEW DIMENSION	T.B.	B.S.	

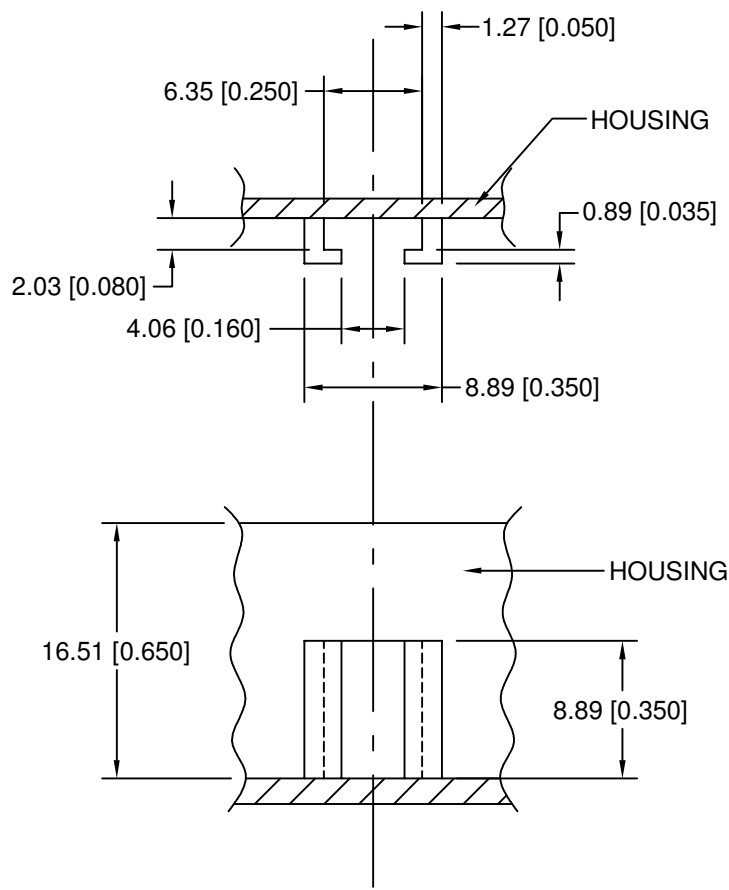



NOTES:

1. MATERIAL: 0.38mm (0.015") THICK., PHOSPHOR BRONZE, ASTM B159 SPRING HARD TEMPER.
2. DEBURR ALL CORNERS AND EDGES R0.13mm (0.005") MIN.
3. BRIGHT NICKLE PLATE QQ-N-290 CLASS 1, GRADE G, TYPE 1, 4-6% PLATING PHOSPHOR CONTENT.
4. SOLDER WIRE LEADS INTO $\phi 1.02$ mm ($\phi 0.040$ ") HOLES AS NEEDED.

Tolerance (Except as noted)	 Memory Protection Devices, Inc 200 Broad Hollow Road, Farmingdale, New York 11735	
decimal $\pm .5$ (.020)	Scale	Drawn By B.S. Approved By T.B.
Fractional $\pm .8$ (.030)	Title MPD DL223A BATTERY HOLDER CONTACT	
Angular $\pm 3^\circ$	Date 01/31/04	Drawing Number ABG-165

Date	SYM	REVISION RECORD	AUTH	DR.	CK.



Tolerance (Except as noted)		Memory Protection Devices, Inc	
		200 Broad Hollow Road, Farmingdale, New York 11735	
decimal ±.5 (.020)		Scale	Drawn By B.S.
			Approved By T.B.
Fractional ± .8 (.030)	Title	ABG-165 APPLICATION NOTES	
Angular ± 3°	Date	Drawing Number	
	4/22/06	ABG-165 APPLICATION	