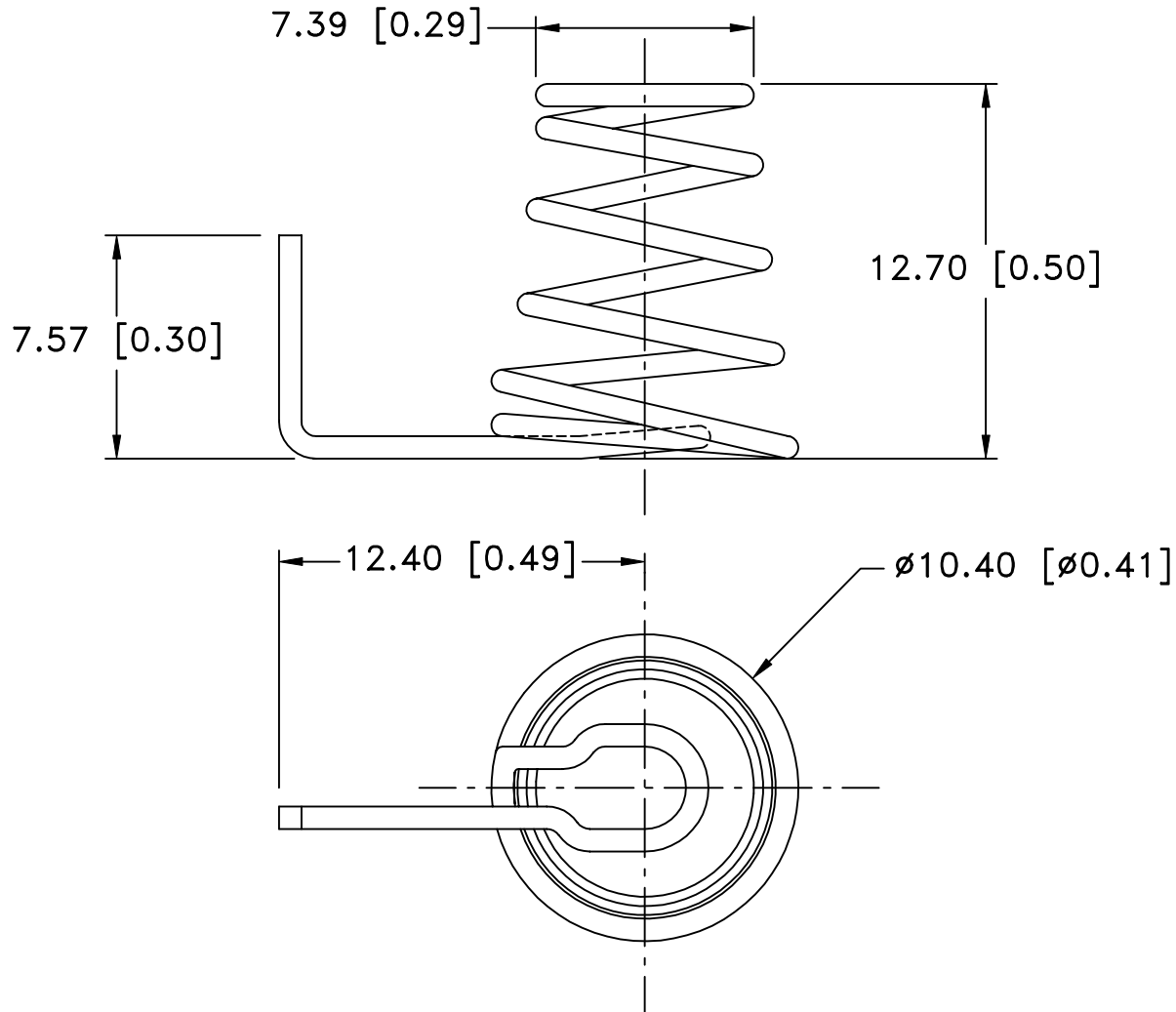



Date	SYM	REVISION RECORD	AUTH	DR.	CK.



NOTES:

1. MATERIAL: ∅0.5mm MUSIC WIRE, NICKLE PLTD.
2. TOTAL NO. OF COILS: 5
3. ENDS: SQUARED

Tolerance (Except as noted)	 Memory Protection Devices, Inc 200 Broad Hollow Road, Farmingdale, New York 11735		
decimal		Scale	Drawn By B.S.
±.5 (.020)			Approved By T.B.
Fractional	Title		
± .8 (.030)	AA SPRING CONTACT WITH EASY CLIP FEATURE		
Angular	Date	Drawing Number	
± 3°	05/25/01	ABG-174	