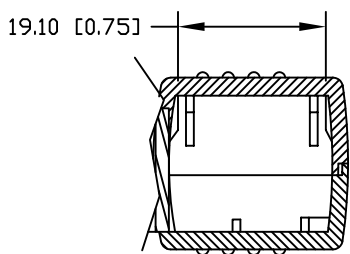
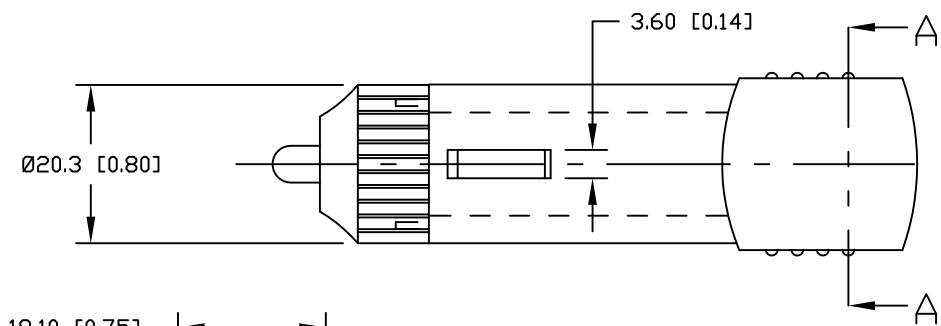
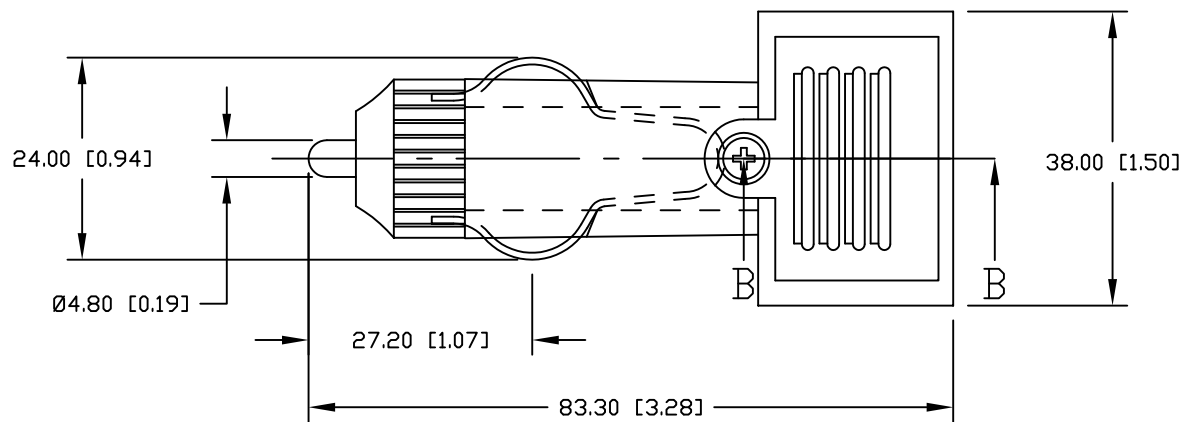
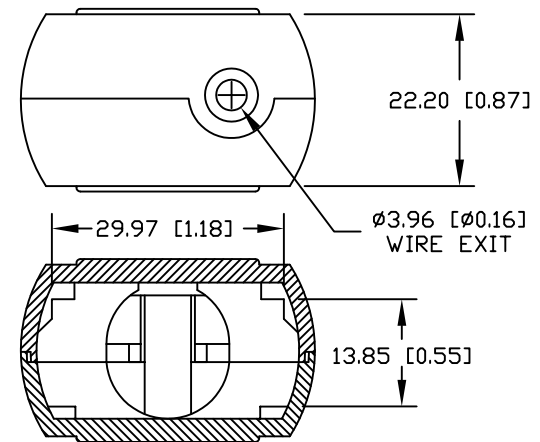


Date	SYM	REVISION RECORD	AUTH	DR.	CK.




SECTION B-B



SECTION A-A

NOTES:

- INPUT VOLTAGE: 12V DC
- MATERIAL:
- HOUSING: BLACK ABS
- CAP: BAKELITE
- FUSE: NONE SUPPLIED, USE Ø6.35 X 30mm
- LARGE EMPTY AREA TO ADD YOUR ELECTRONICS, 29.97mmX19.10mmX13.85mm

Tolerance (Inches)	 Memory Protection Devices, Inc 200 Broad Hollow Road, Farmingdale, New York 11735		
Decimal ±.5 (.020)	Scale	Drawn By B.S. Approved By T.B.	
Fractional ± .8 (.030)	Title CIGARETTE PLUG WITHOUT TRANSFORMER		
Angular ± 3°	Date 6/13/08	Drawing Number AP-104-NT	