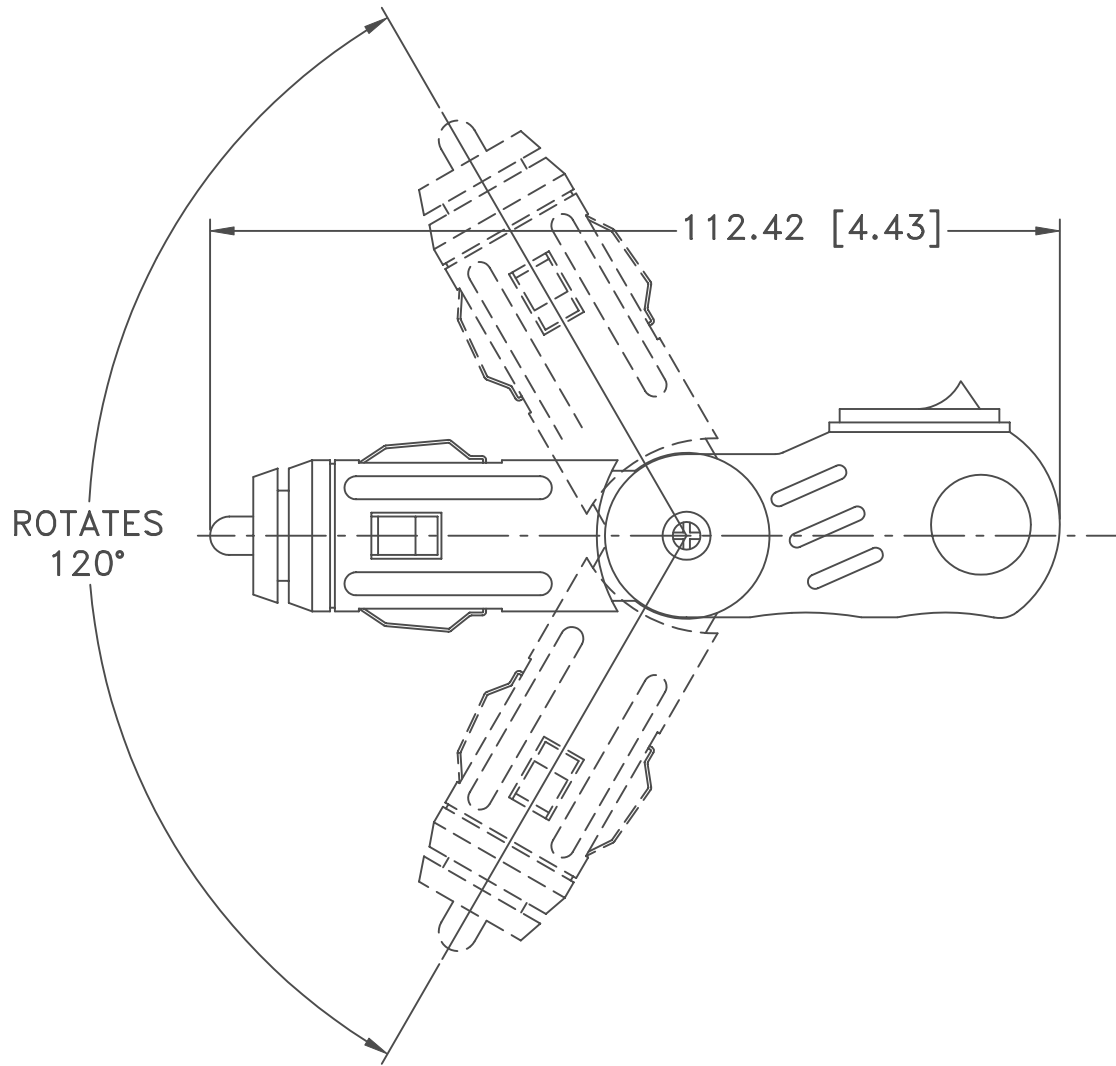



Date	SYM	REVISION RECORD	AUTH	DR.	CK.
11/15/03	A	ADDED SWITCH SPECIFICATION REVISED TITLE	T.B.	B.S.	



SPECIFICATION:

BODY: HIGH IMPACT ABS, UL94V-0, FILE NO. E56070(S)
COLOR: BLACK
CENTER CONTACT: BRASS, NICKEL PLATED
SLIDING CONTACTS: PHOS. BRONZE, NICKEL PLATED
SPRING: SW70C, ZINC PLATED
FUSE: 250V, 5 AMP, 3AG 6.35mm x 30mm (1/4" X 1 1/4")
RATED AT 18 HOURS, CONTINUOUS DUTY
10 AMP'S MAX WITH CORRECT FUSE.
SWITCH: RED LED, 10 AMPS - 125 VOLTS
OR 5 AMPS - 250 VOLTS

Tolerance (Except as noted)	 Memory Protection Devices, Inc 200 Broad Hollow Road, Farmingdale, New York 11735	
decimal ±.5 (.020)		
Fractional ± .8 (.030)	Title LIGHTED ROTARY CIGARETTE PLUG WITH 10AMP SWITCH AND 5AMP FUSE	
Angular ± 3°	Date 11/15/03	Drawing Number AP120
	Approved By T.B.	