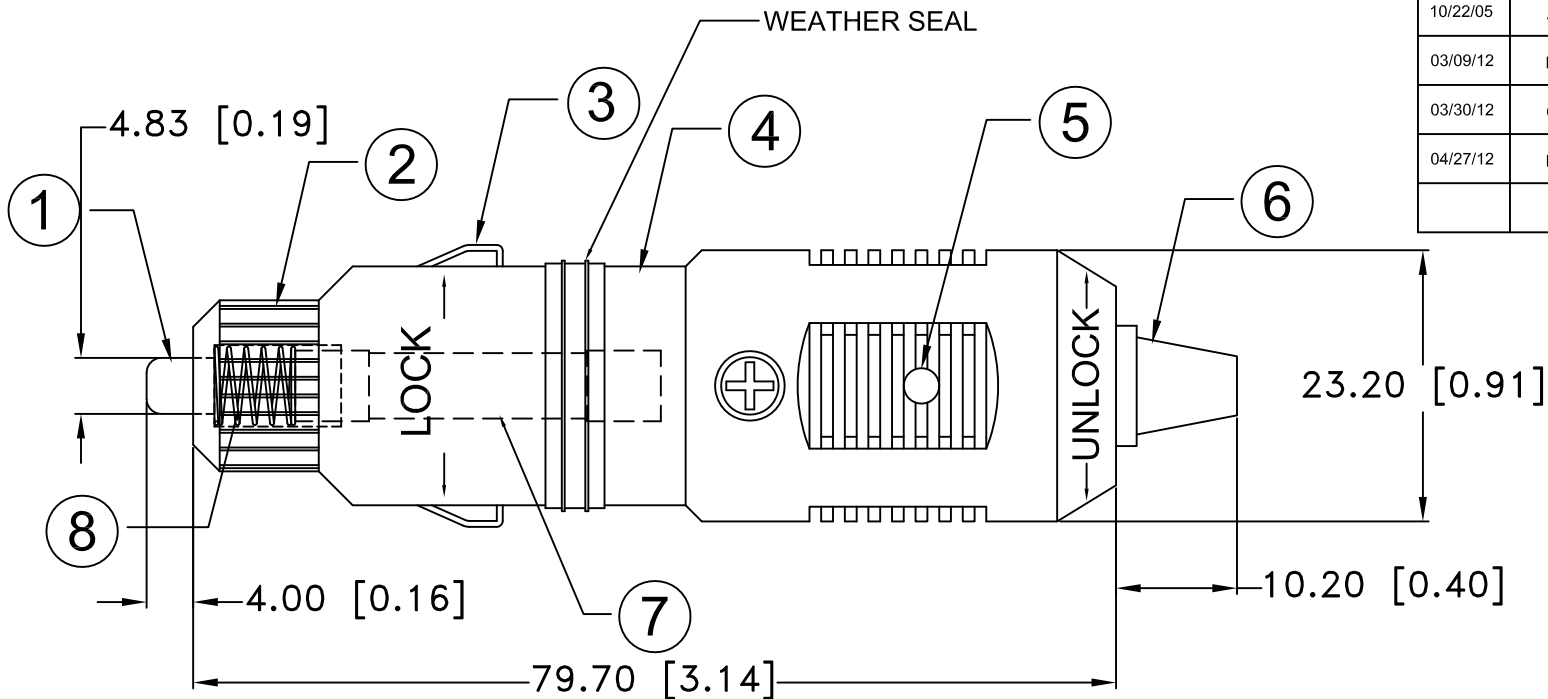



Date	SYM	REVISION RECORD	AUTH	DR.	CK.
10/22/05	A	ADDED "ROHS COMPLIANT"	T.B.	B.S.	
03/09/12	B	CHANGED BODY MATERIAL AND SPRING MATERIAL	T.B.	B.S.	
03/30/12	C	UPDATED NOTE	T.B.	B.S.	
04/27/12	D	ADDED "CE LISTED" IN NOTE	T.B.	B.S.	



ITEM NO.	PART NAME	MATL. SPECIFICATION
1	TIP CONTACT (+) TERMINAL	BRASS, NICKEL PLTD.
2	NOSE CAP	BRASS, NICKEL PLTD.
3	(-) TERMINAL	BRASS, NICKEL PLTD.
4	BODY	NYLON #66
5	LED	GREEN, 3mm, 12V
6	STRAIN RELIEF	PVC 100%
7	FUSE	250V, 3 AMP, 3AG 6.35mm X 30mm (1/4" x 1 1/4"),
8	SPRING	ZINC

NOTE:
 MAXIMUM RATING: 8AMP.
 FAST ACTING FUSE
 ROHS COMPLIANT
 CE LISTED

Tolerance (Except as noted)	 Memory Protection Devices, Inc 200 Broad Hollow Road, Farmingdale, New York 11735		
decimal ±.5 (.020)	Scale	Drawn By B.S.	
Fractional ± .8 (.030)	Title 12V CIGARETTE PLUG WITH GREEN LED AND 3AMP FUSE		
Angular ± 3°	Date 04/27/12	Drawing Number AP-121	
		Approved By T.B.	