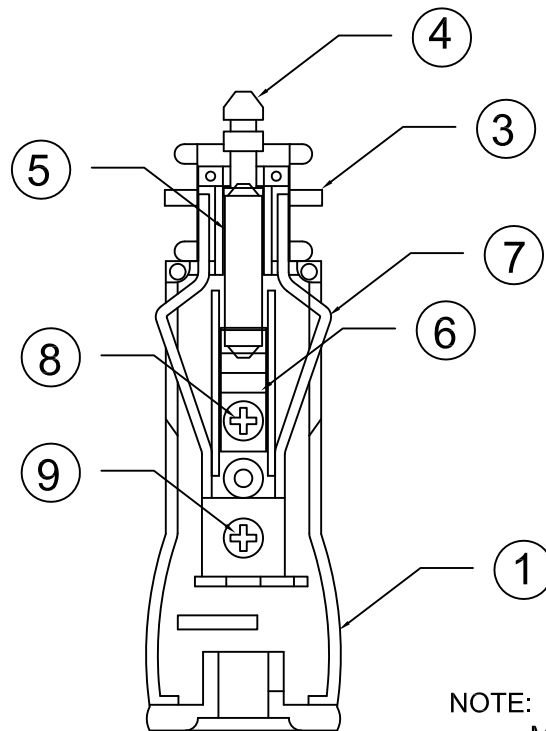
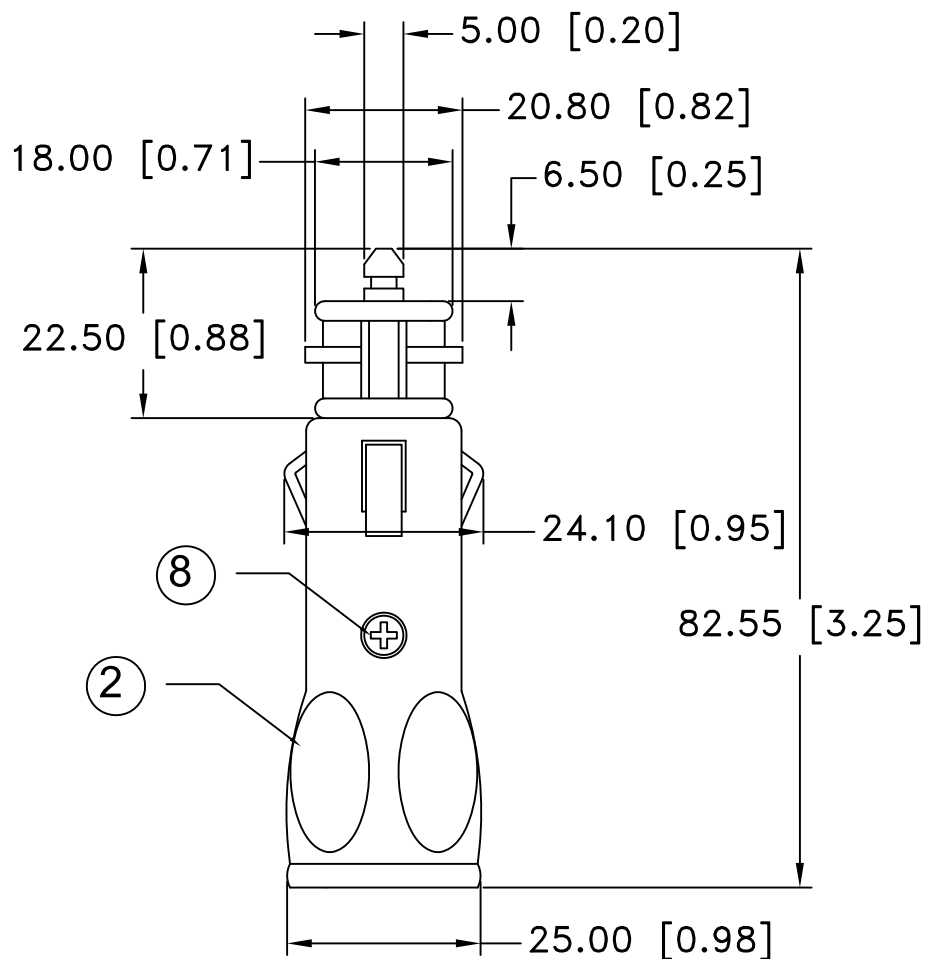


Date	SYM	REVISION RECORD	AUTH	DR.	CK.
03/15/03	A	5 AMP. FUSE WAS 8AMP.	T.B.	B.S.	
04/05/03	B	CHANGED TITLE	T.B.	B.S.	
10/28/06	C	ADDED "ROHS COMPLIANT"	T.B.	B.S.	
05/04/12	D	ADDED NOTE TO REMOVE RED CAP	T.B.	B.S.	



NOTE:
 MAXIMUM RATING: 5AMP.
 ROHS COMPLIANT
 REMOVE THE RED CAP FOR DIN 4165 APPLICATION

ITEM NO.	PART NAME	MATL. SPECIFICATION	Tolerance (Except as noted)	MPD Memory Protection Devices, Inc 200 Broad Hollow Road, Farmingdale, New York 11735		
1	BOTTOM COVER	ABS, UL94-HB, FILE NO. E56070(S)	decimal	Scale	Drawn By B.S.	
2	TOP COVER	ABS, UL94-HB, FILE NO. E56070(S)	±.020 (.5)		Approved By T.B.	
3	JOINT	NYLON 66	Fractional	Title CIGARETTE LIGHTER PLUG FOR 21 OR 22.2 mm DIA. SOCKETS OR DIN 4165		
4	COPPER WIRE	BRASS, NICKEL PLATED	± .030 (.8)	Date	Drawing Number	
5	FUSE	5 AMP	Angular	05/04/12	AP-124	
6	+VE SPRING	PHOSPH. COPPER, NICKEL PLTD	± 3°			
7	-VE SPRING	BRASS, NICKEL PLATED				
8	SELF TAPPING SCREW	STEEL				
9	SELF TAPPING SCREW	STEEL				