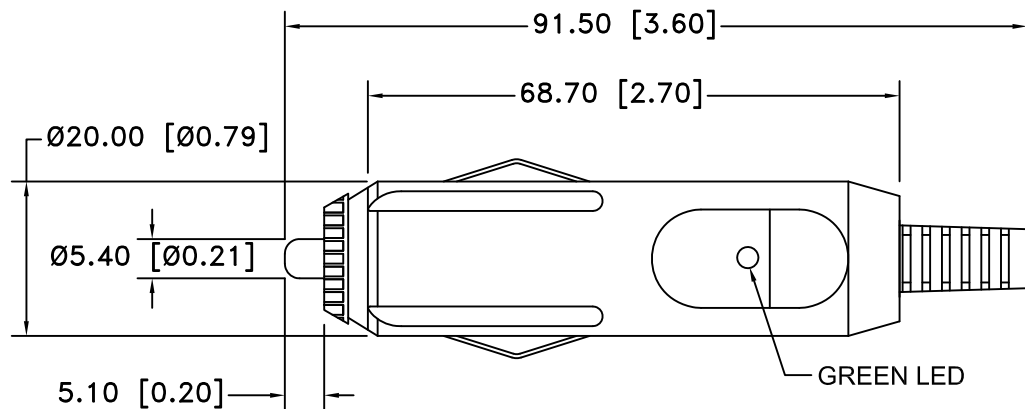



Date	SYM	REVISION RECORD	AUTH	DR.	CK.
02/24/12	A	UPDATED NOTES AND TITLE	T.B.	B.S.	
07/20/12	B	UPDATED NOTES TO ADD ABS GRADE AND TEMP. RANGE	T.B.	B.S.	



NOTE:

CASING: ABS PA765  
 CAP: ABS PA765  
 TEMPERATURE RANGE: -30°C TO +85°C  
 TERMINALS: STEEL, NICKEL PLATED  
 TIP: BRASS, NICKEL PLATED  
 FUSE: 3AMP., 250V, GLASS  
 LED: GREEN, T-1, 3mm  
 SPRING: SWG, ZINC PLATED  
 ROHS COMPLIANT  
 CE LISTED

Tolerance (Except as noted)	 <b>Memory Protection Devices, Inc</b> 200 Broad Hollow Road, Farmingdale, New York 11735		
decimal $\pm .5$ (.020)		Scale	Drawn By B.S.
Fractional $\pm .8$ (.030)	Title AUTO PLUG FOR 21mm AND 22.2mm SOCKETS WITH FUSE AND GREEN LED		
Angular $\pm 3^\circ$	Date 07/20/12	Drawing Number AP-129-GRN	