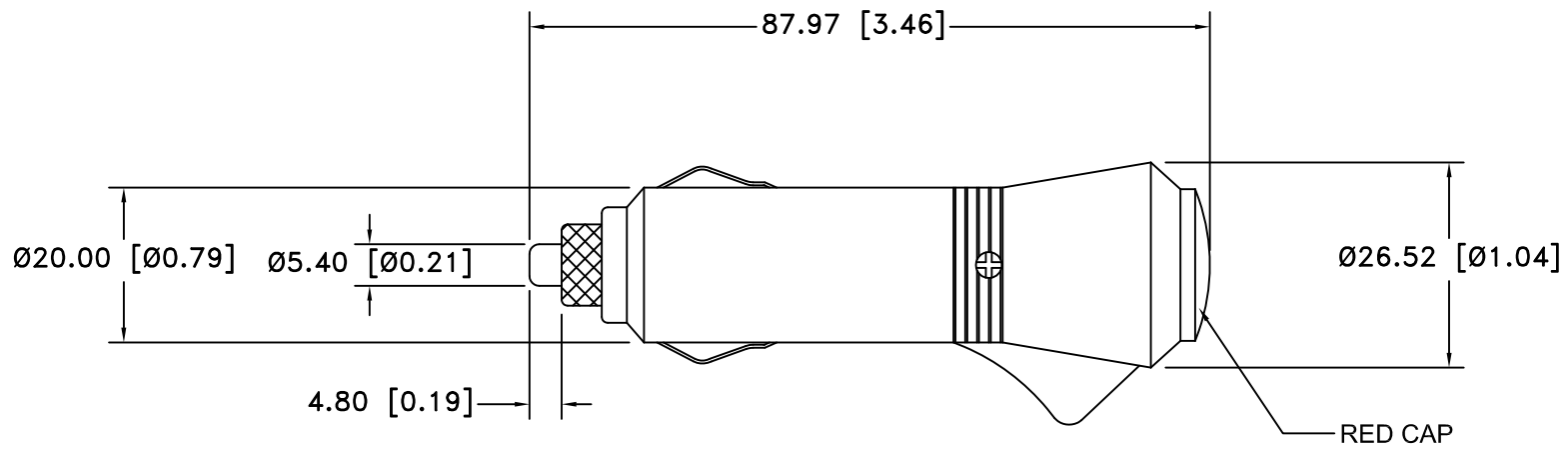



| Date | SYM | REVISION RECORD | AUTH | DR. | CK. |
|------|-----|-----------------|------|-----|-----|
| | | | | | |
| | | | | | |
| | | | | | |
| | | | | | |
| | | | | | |



NOTE:
 CASING: ABS
 CAP: ABS
 NEG. TERMINAL: STEEL, NICKEL PLATED
 TIP: BRASS, NICKEL PLATED
 FUSE: 2AMP., 250V

| | | | |
|--------------------------------|--|-------------------------|------------------|
| Tolerance (Except as noted) |  Memory Protection Devices, Inc 200 Broad Hollow Road, Farmingdale, New York 11735 | Scale | Drawn By B.S. |
| decimal ±.5 (.020) | | | Approved By T.B. |
| Fractional ± .8 (.030) | Title AUTO PLUG | | |
| Angular ± 3° | Date 06/04/10 | Drawing Number AP130 | |