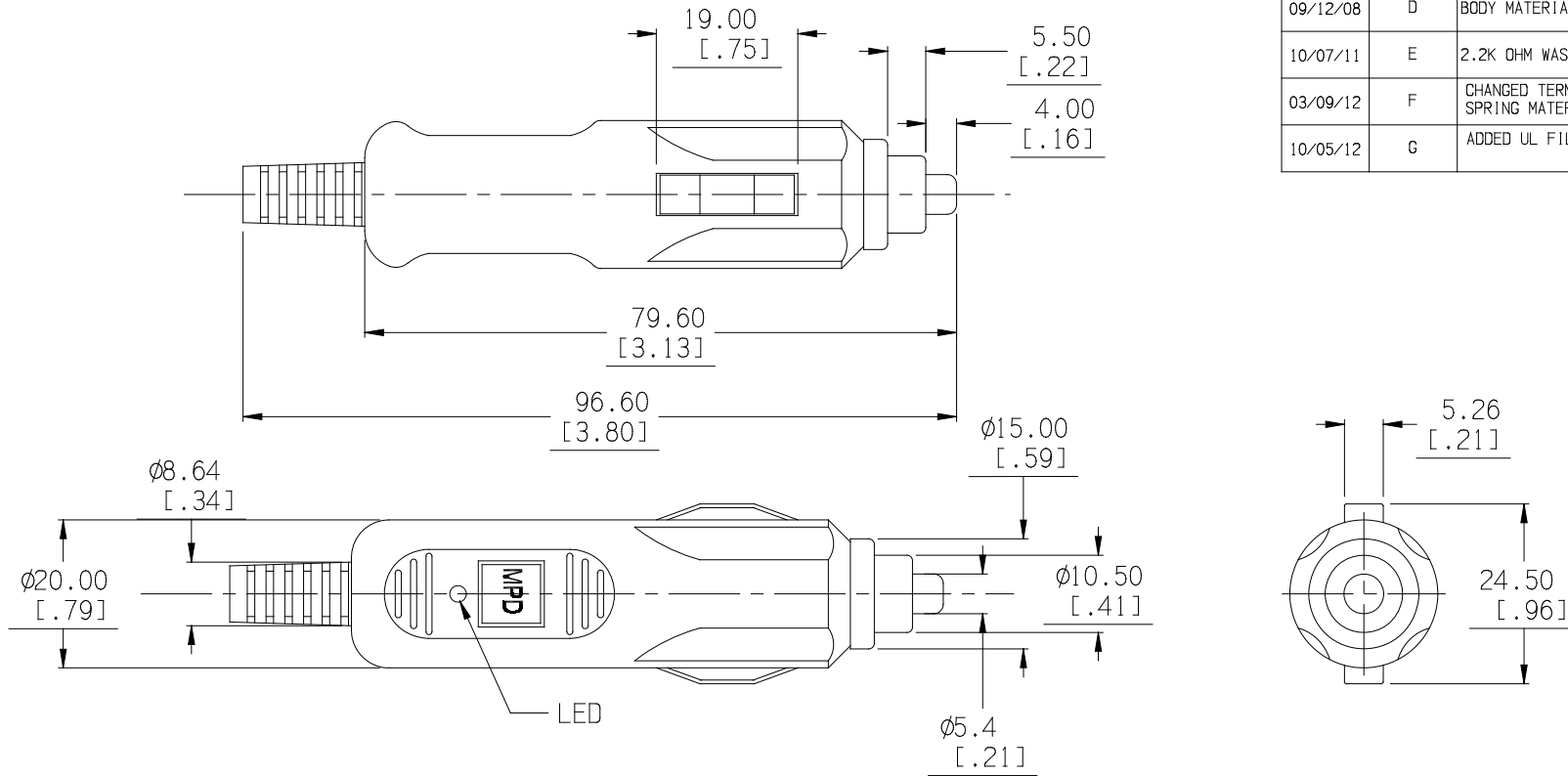



| Date | SYM | REVISION RECORD | AUTH | DR. | CK. |
|----------|-----|--------------------------------------|------|------|-----|
| 04/05/03 | A | ADDED 15 AMP IN TITLE BLOCK | T.B. | B.S. | |
| 03/11/06 | B | SPRING MATERIAL WAS P.B.P. | T.B. | B.S. | |
| 10/28/06 | C | ADDED "ROHS COMPLIANT" | T.B. | B.S. | |
| 09/12/08 | D | BODY MATERIAL WAS NYLON 66 | T.B. | B.S. | |
| 10/07/11 | E | 2.2K OHM WAS 22K | T.B. | B.S. | |
| 03/09/12 | F | CHANGED TERMINAL AND SPRING MATERIAL | T.B. | B.S. | |
| 10/05/12 | G | ADDED UL FILE NO. | T.B. | B.S. | |



SPECIFICATION:

BODY: NYLON 6, FLAMMABILITY RATING UL94V-0 UL FILE NO. E154352
 COLOR: BLACK
 CENTER CONTACT: BRASS, NICKEL PLATED
 NEG. TERMINAL: SKS, NICKEL PLATED
 POS. TERMINAL: PHOSPHOR COPPER, NICKEL PLATED
 SPRING: PHOSPHOR COPPER
 WIRE STRAIN RELIEF: PVC
 LED: RED, ϕ 3mm, 2.2K Ohm, 1/4 W
 FUSE: 6.35mm x 30mm (1/4" X 1 1/4")
 RATED AT 18 HOURS, CONTINUOUS DUTY
 15 AMP'S MAX WITH CORRECT FUSE.
 ROHS COMPLIANT

| | | | |
|-------------------------------|---|---------------------------------|--|
| Tolerance (Inches) |  Memory Protection Devices, Inc. 200 Broad Hollow Road, Farmingdale, New York 11735 | | |
| Decimal $\pm .5$ (.020) | Scale | Drawn By B.S. | |
| Fractional $\pm .8$ (.030) | Title | Approved By T.B. | |
| Angular $\pm 3^\circ$ | Date 10/05/12 | Drawing Number APP-001-15AMP | |