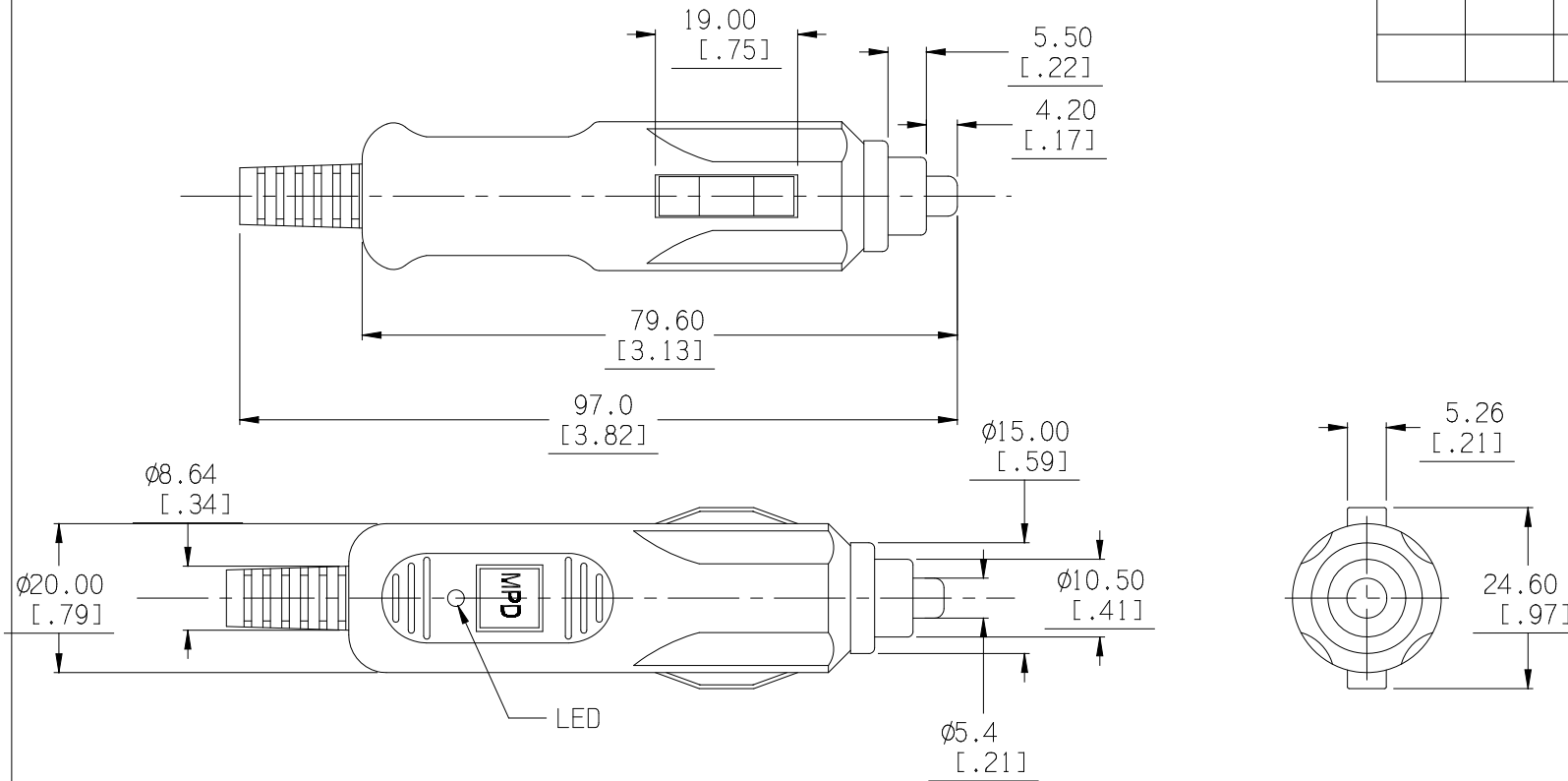



Date	SYM	REVISION RECORD	AUTH	DR.	CK.
9/19/08	A	UPDATED DIM. AND MATERIAL	T.B.	B.S.	
10/07/11	B	2.2K OHM WAS 22K	T.B.	B.S.	
10/05/12	C	UPDATED UL FILE NO.	T.B.	B.S.	



SPECIFICATION:

BODY: PBT (VO) + GF, UL FILE #E130155
 COLOR: BLACK
 CENTER CONTACT: BRASS, NICKEL PLATED
 NEG. TERMINAL: SK5, GOLD PLATED
 POS. TERMINAL: P.B., GOLD PLATED
 SPRING: Ø0.8 P.B. WIRE, GOLD PLATED
 WIRE STRAIN RELIEF: PVC
 LED: RED, Ø3mm, 2.2K Ohm, 1/4 W
 FUSE: 20AMP., 6.35mm x 30mm (1/4" X 1 1/4")
 RATED AT 18 HOURS, CONTINUOUS DUTY
 20 AMP'S MAX WITH CORRECT FUSE.
 ROHS COMPLIANT

Tolerance (Inches)	 Memory Protection Devices, Inc. 200 Broad Hollow Road, Farmingdale, New York 11735		
Decimal		Scale	Drawn By B.S.
±.5 (.020)			Approved By T.B.
Fractional	Title		
±.8 (.030)	20 AMP CIGARETTE PLUG FOR 21 OR 22.2mm DIA. SOCKETS		
Angular	Date	Drawing Number	
± 3°	10/05/12	APP-001-20AMP	