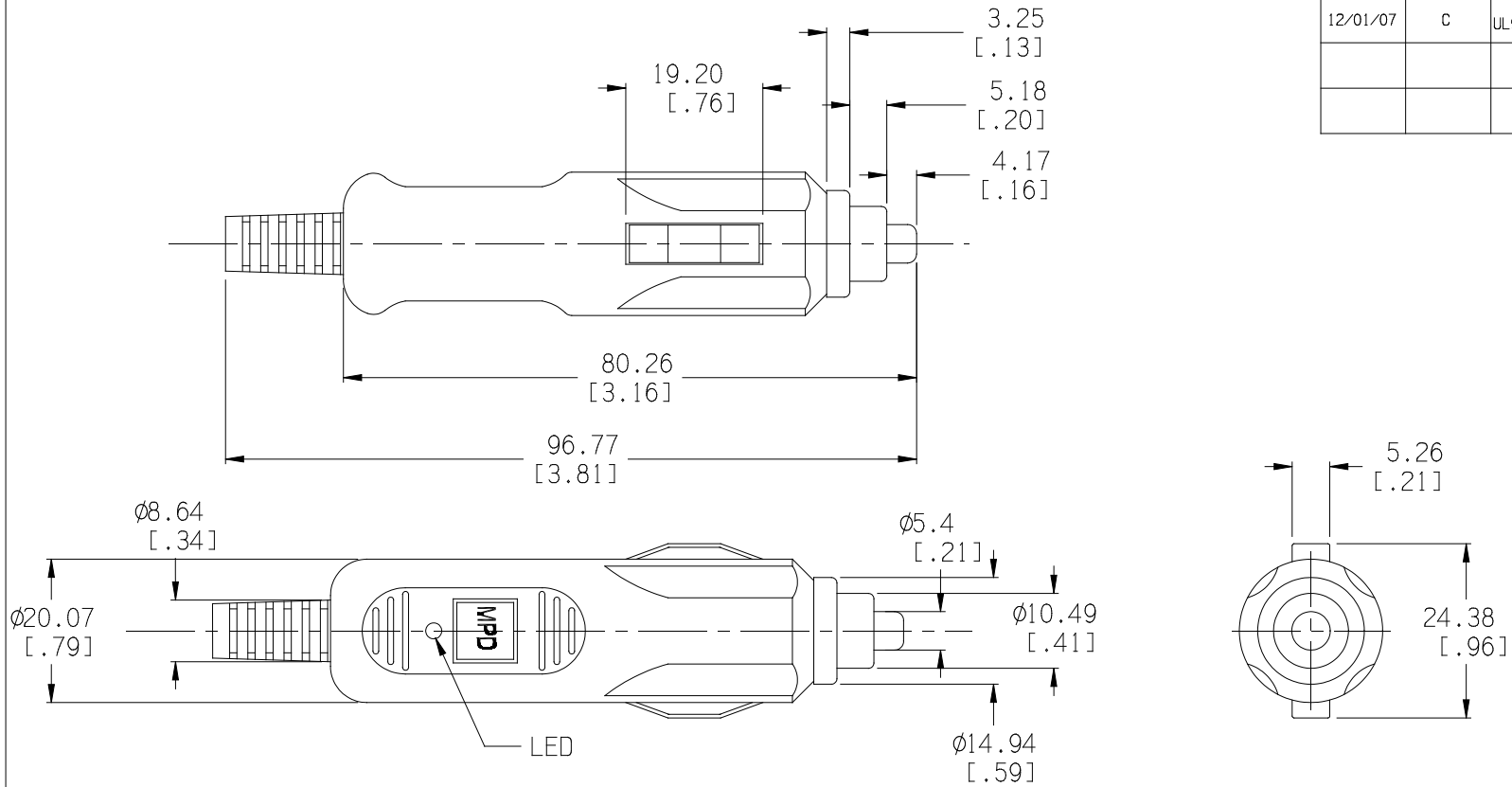



Date	SYM	REVISION RECORD	AUTH	DR.	CK.
10/22/05	A	ADDED "ROHS COMPLIANT"	T.B.	B.S.	
03/11/06	B	ADDED SPRING MATERIAL	T.B.	B.S.	
12/01/07	C	UL94V-HB WAS UL94V-0	T.B.	B.S.	



SPECIFICATION:

BODY: HIGH IMPACT ABS, UL94V-HB, FILE NO. E56070(S)
 COLOR: GRAY
 CENTER CONTACT: BRASS, NICKEL PLATED
 SLIDING CONTACTS: PHOS. BRONZE, NICKEL PLATED
 SPRING: PHOS. BRONZE WIRE
 WIRE STRAIN RELIEF: PVC
 LED: RED, 3mm, 12V
 FUSE: 250V, 3 AMP, 3AG 6.35mm x 30mm (1/4" X 1 1/4")
 RATED AT 18 HOURS, CONTINUOUS DUTY
 10 AMP'S MAX WITH CORRECT FUSE.
 ROHS COMPLIANT

Tolerance (Inches)	 Memory Protection Devices, Inc. 200 Broad Hollow Road, Farmingdale, New York 11735		
Decimal		Scale	Drawn By B.S.
±.5 (.020)			Approved By T.B.
Fractional	Title		
± .8 (.030)	CIGARETTE PLUG FOR 21 OR 22.2mm DIA. SOCKETS		
Angular	Date	Drawing Number	
± 3°	12/01/07	APP-002	