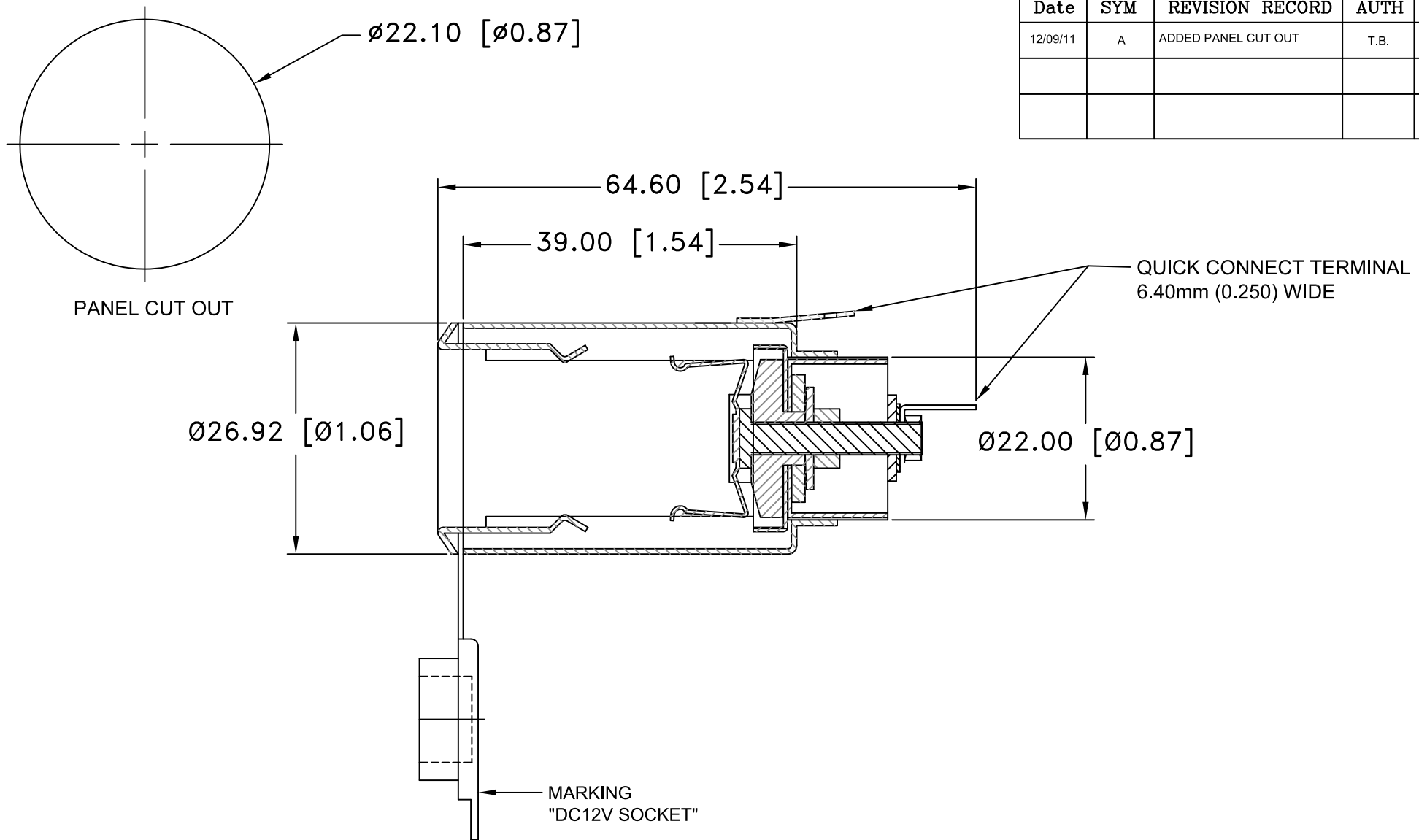



Date	SYM	REVISION RECORD	AUTH	DR.	CK.
12/09/11	A	ADDED PANEL CUT OUT	T.B.	B.S.	



MATERIAL SPECIFICATION:
 INNER TUBE: IRON, NICKEL PLATED
 WASHER: IRON, NICKEL PLATED
 NUT: IRON, NICKEL PLATED
 OUTER SHELL: IRON, NICKEL PLATED
 TERMINALS: IRON, NICKEL PLATED
 COVER: PVC

ROHS COMPLIANT

Tolerance (Except as noted)	 Memory Protection Devices, Inc 200 Broad Hollow Road, Farmingdale, New York 11735		
decimal ±.5 (.020)		Scale	Drawn By B.S.
Fractional ± .8 (.030)	Title 12V CIGARETTE SOCKET		
Angular ± 3°	Date 12/09/11	Drawing Number AS203B	
		Approved By T.B.	