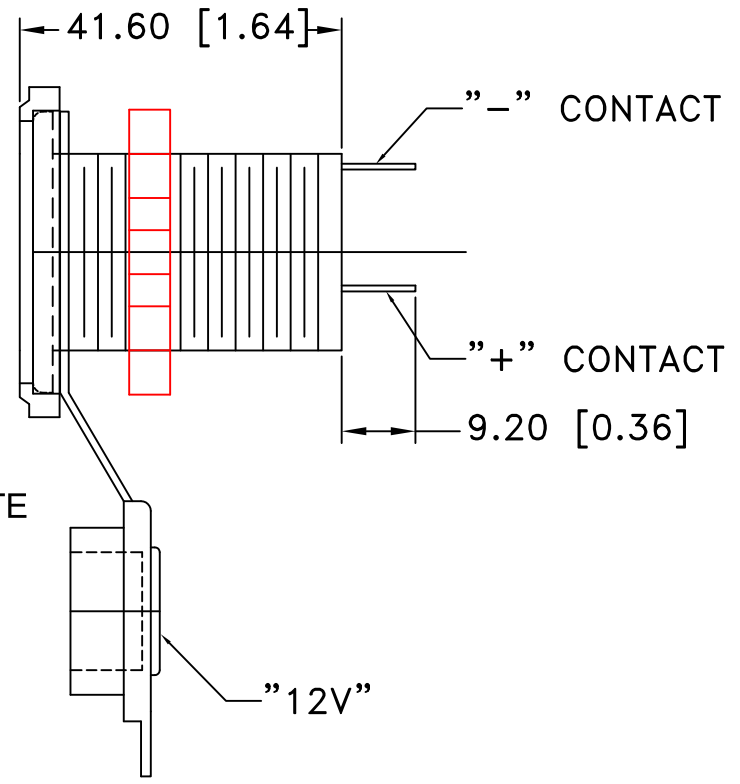
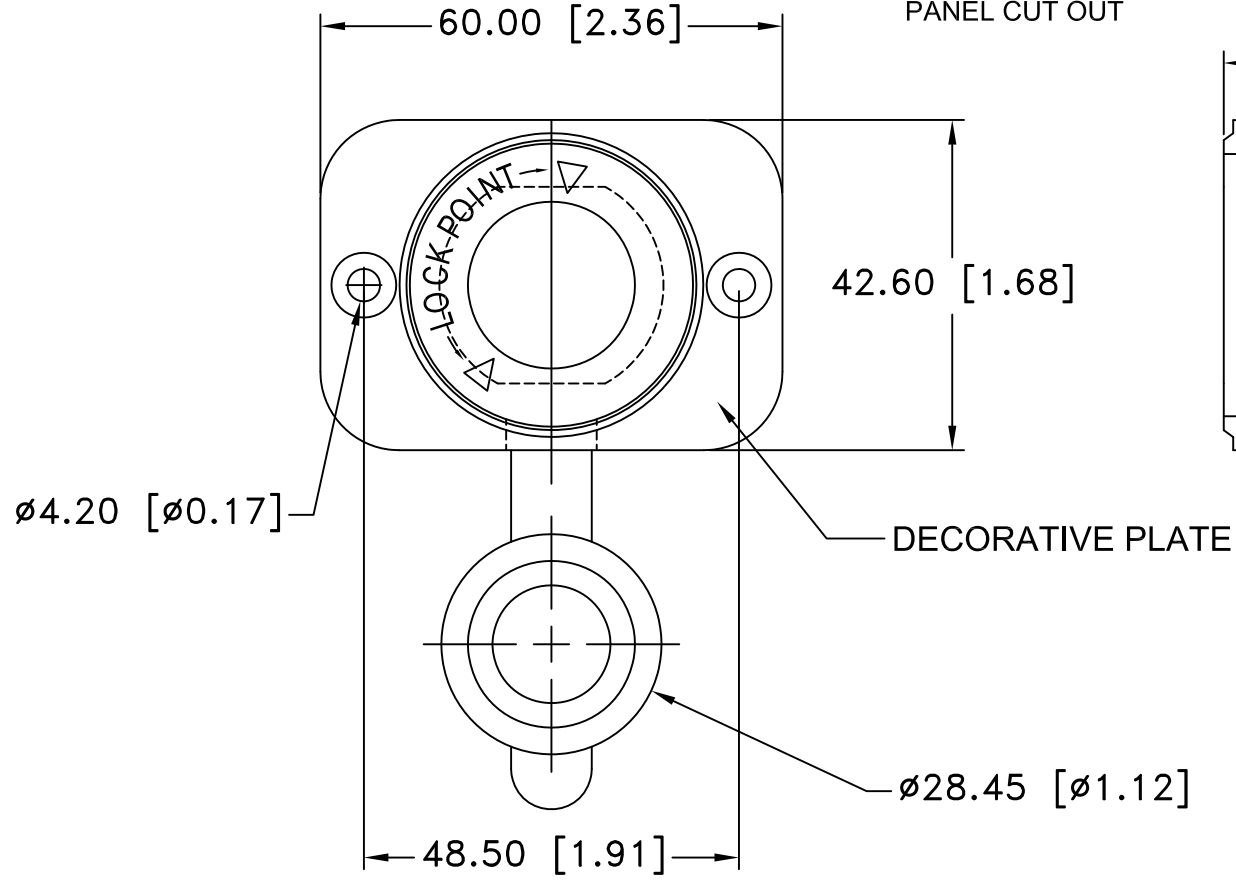
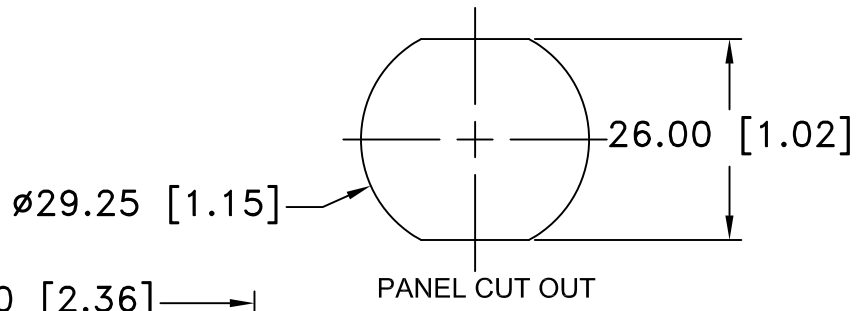



Date	SYM	REVISION RECORD	AUTH	DR.	CK.
02/11/11	A	ADDED ELECTRICAL RATING	T.B.	B.S.	
12/13/13	B	20AMP WAS 15 AMP AND REVISED TITLE	T.B.	B.S.	



MATERIAL SPECIFICATION:
 COVER: PVC
 BODY: NYLON #66
 CONTACTS: BRASS, NICKEL PLATED
 RATING: 50mΩ Max
 INSULATION RATING: 500VDC, 100mΩ MIN.
 DIELECTRIC STRENGTH: 1500VAC 1 MIN.
 NUT: NYLON #66
 BASE: NYLON #66
 DECORATIVE PLATE: NYLON #66
 RATING: 12V, 20AMP

Tolerance (Except as noted)	 Memory Protection Devices, Inc 200 Broad Hollow Road, Farmingdale, New York 11735	Scale	Drawn By B.S.
			Approved By T.B.
decimal ±.5 (.020)	Title 12V CIGARETTE SOCKET, 20AMP		
Fractional ± .8 (.030)		Date 12/13/13	Drawing Number AS212-C
Angular ± 3°			