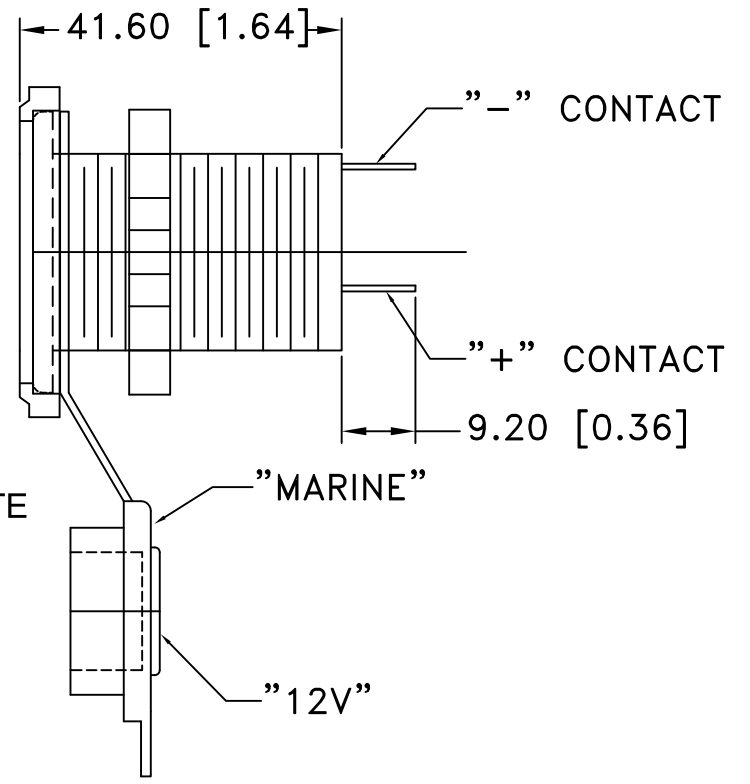
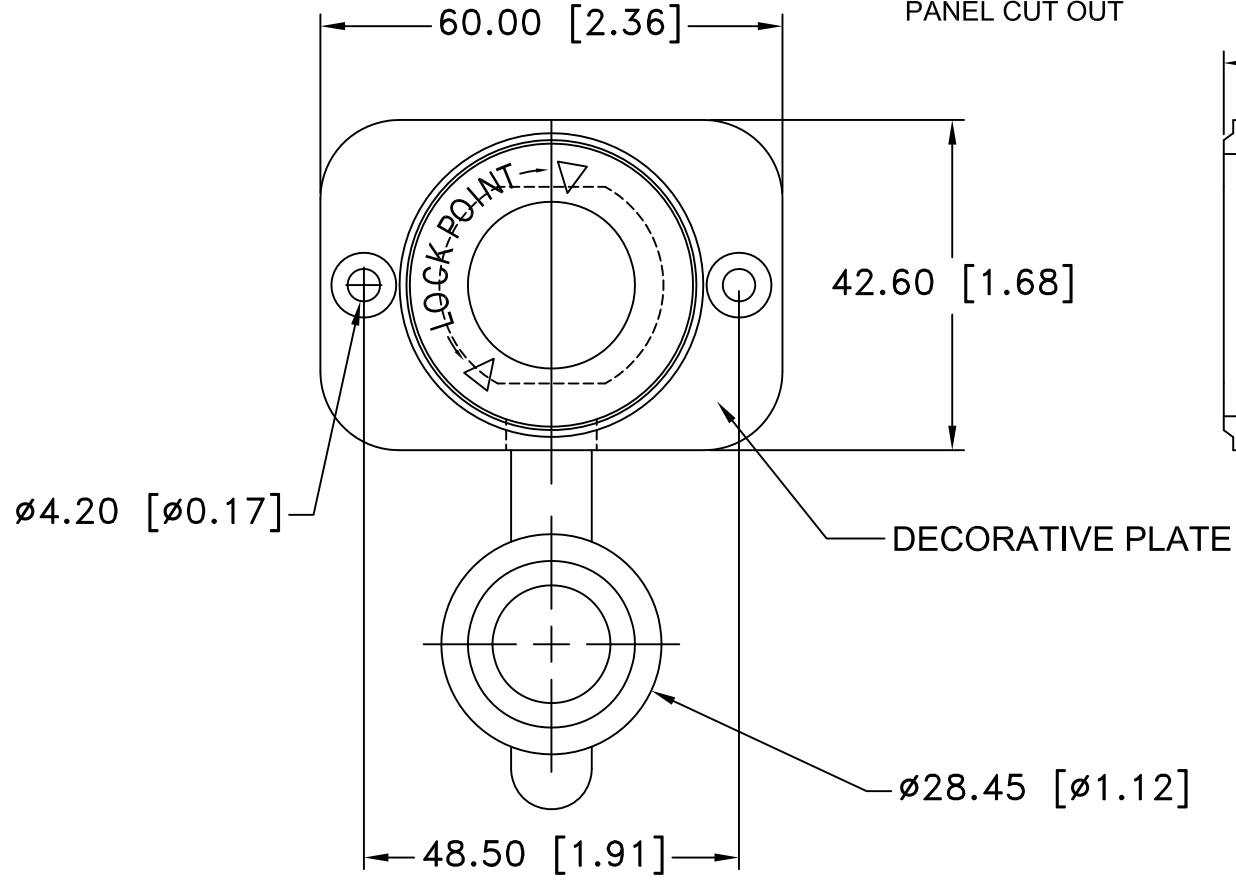
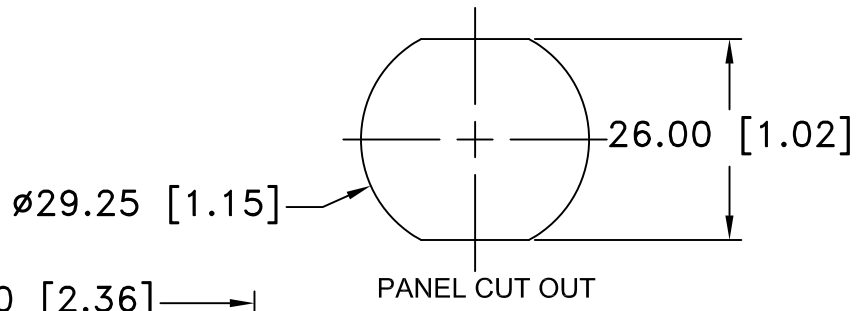



Date	SYM	REVISION RECORD	AUTH	DR.	CK.
05/08/04	C	15AMP WAS 10AMP AND REVISED TITLE	T.B.	B.S.	
05/15/04	D	ADDED PANEL CUT OUT ADDED NICKEL PLATING TO NOTE	T.B.	B.S.	
06/12/04	E	DIM. 48.50 WAS 52.48	T.B.	B.S.	
07/08/06	F	ADDED "ROHS COMPLIANT"	T.B.	B.S.	
12/13/13	G	20 AMP WAS 15 AMP AND REVISED TITLE	T.B.	B.S.	



MATERIAL SPECIFICATION:  
COVER: PVC  
BODY: NYLON #66  
CONTACTS: BRASS, NICKEL PLATED  
NUT: NYLON #66  
BASE: NYLON #66  
DECORATIVE PLATE: NYLON #66  
RATING: 12V, 20AMP  
ROHS 2 COMPLIANT

Tolerance (Except as noted)	 <b>Memory Protection Devices, Inc</b> 200 Broad Hollow Road, Farmingdale, New York 11735	Scale	Drawn By B.S.
			Approved By T.B.
decimal $\pm .5$ (.020)	Title 12V CIGARETTE SOCKET, 20AMP		
Fractional $\pm .8$ (.030)		Date 12/13/13	Drawing Number AS212
Angular $\pm 3^\circ$			