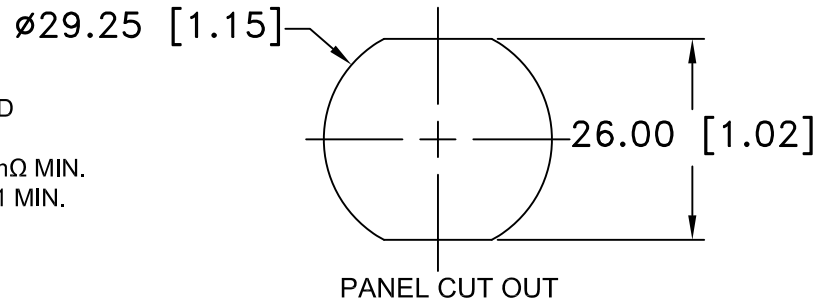


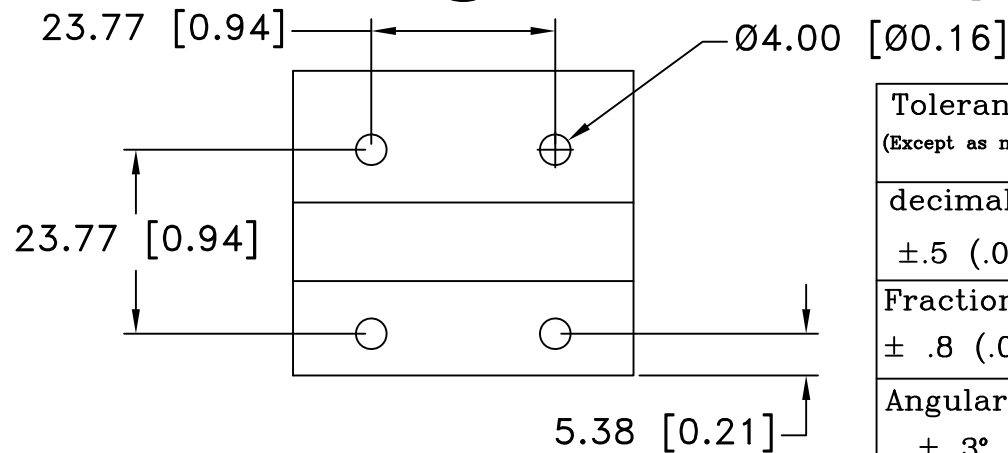
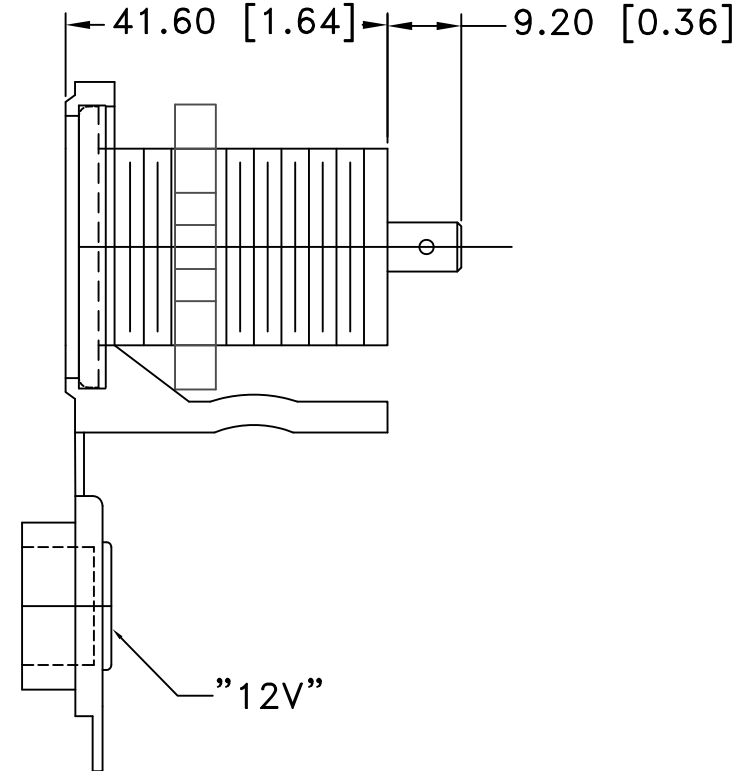
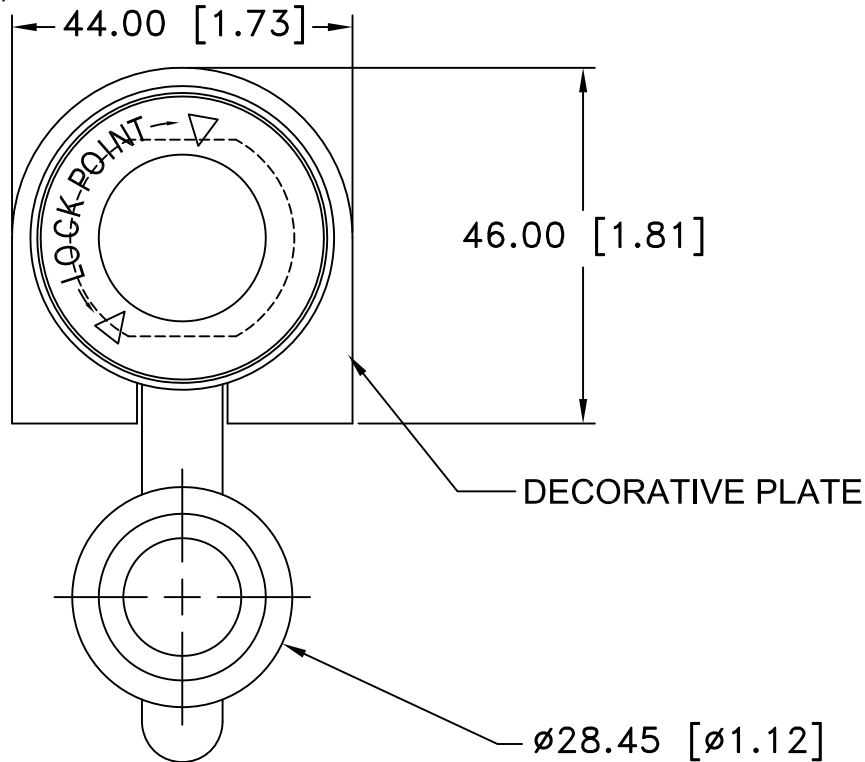
MATERIAL SPECIFICATION:


COVER: PVC
 BODY: NYLON #66
 CONTACTS: BRASS, NICKEL PLATED
 RATING: 50mΩ Max
 INSULATION RATING: 500VDC, 100mΩ MIN.
 DIELECTRIC STRENGTH: 1500VAC 1 MIN.
 NUT: NYLON #66
 BASE: NYLON #66
 DECORATIVE PLATE: NYLON #66
 RATING: 12V, 20AMP



Date	SYM	REVISION RECORD	AUTH	DR.	CK.
07/29/11	A	ADDED ROHS COMPLIANT	T.B.	B.S.	

ROHS COMPLIANT



Tolerance (Except as noted)	 Memory Protection Devices, Inc 200 Broad Hollow Road, Farmingdale, New York 11735	Scale	Drawn By B.S.
			Approved By T.B.
decimal ±.5 (.020)	Title 12V CIGARETTE SOCKET, 20AMP		
Fractional ± .8 (.030)		Date 07/29/11	Drawing Number AS212-L
Angular ± 3°			