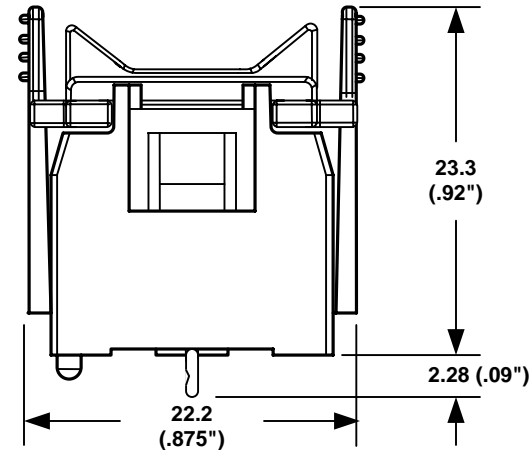
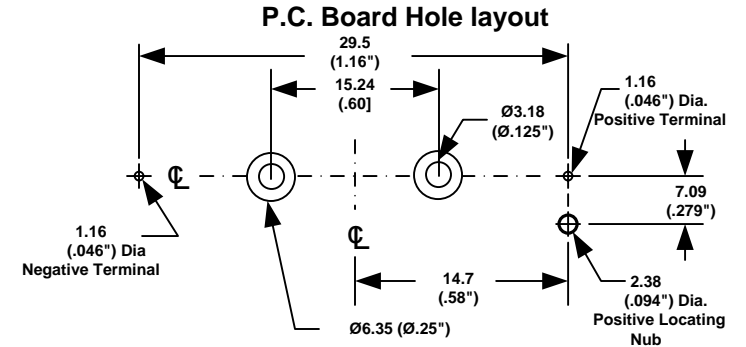
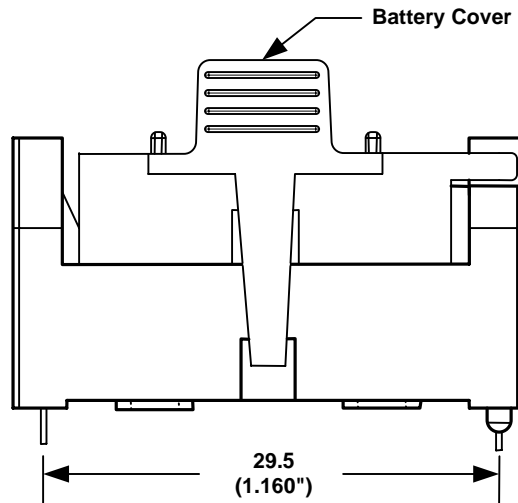
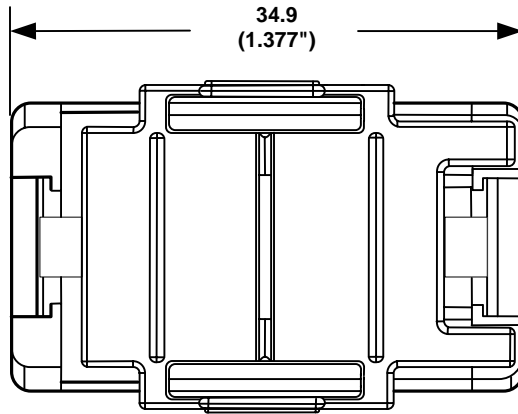


DATE	SYM	REVISION RECORD	AUTH	DR.	CK.
4/17/09	A	ADDED DISTANCE BETWEEN MOUNTING HOLES	T.B.	B.S.	




## SPECIFICATIONS

### Material:

Holder: P/N.ABG-135, BA1/2AA, Self extinguishing thermoplastic, PBT, black  
 Flammability Rating: UL94 V-0, File No. E56070 (S)  
 Dielectric Strength: 560 volts/mil at 25°C for 5 sec  
 Temperature Range: -55°C to 180°C  
 Resistance to Solvent: Xylene, Ethyl, Butyl, Methyl, Propyl Alcohol,  
 Ethyl Acetate, Refrigerants, Heptane & Toluene  
 Contacts: P/N.ABG-140, BC1/2AA, 302 Spring Tempered Stainless Steel Nickel Plated  
 Cover: P/N.0894-1, CBA1/2AA, UL94 V-0, File No. E41797 (M)  
**NOTE:** Eyelet Stimpson Style # A1883 .110"OD x .190" flange  
 Flange recess .203" Dia. x .090" deep.  
**Accessories:** BI - UM - 3 - 4 Insulator.

**Note:** Dimensions in mm. ( inches )

TOLERANCES (EXCEPT AS NOTED)		 <b>Memory Protection Devices, Inc.</b> 200 Broad Hollow Road, Farmingdale, New York 11735	
DECIMAL			
+ .5 (.020)			APPROVED BY
FRACTIONAL	TITLE	<b>1/2 "AA" CELL BATTERY HOLDER ASSEMBLY</b>	
+ .8 (.030)			
ANGULAR	DATE	DRAWING NUMBER	
+ 3°	4/17/2009	BA1/2AAPC	