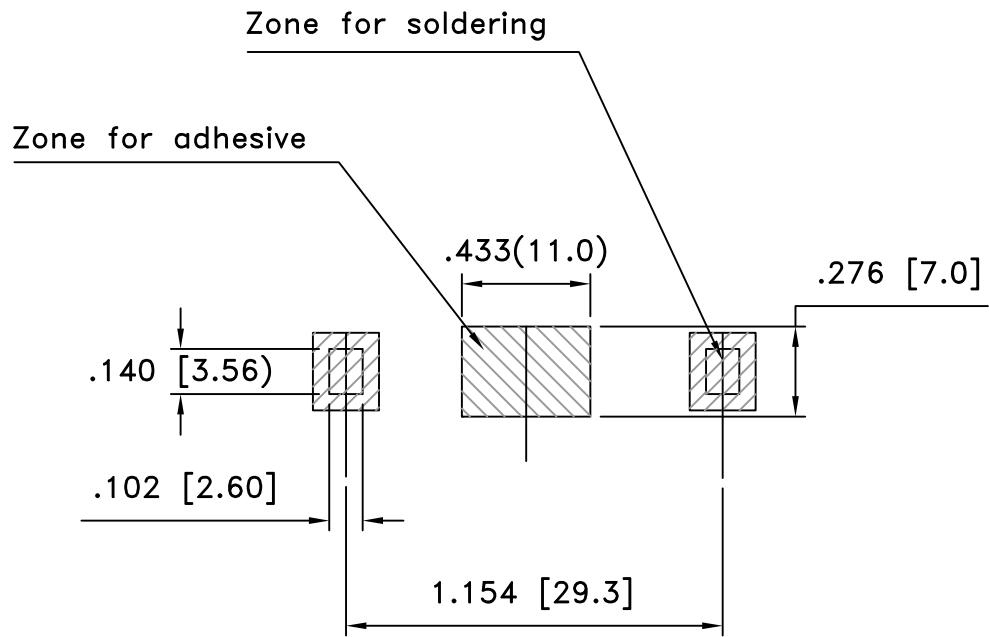


**SPECIFICATIONS:**


- \* Holder material—30% glass-filled nylon 66, UL94 HB
- \* Contacts—sus 301, nickel-plated overall with gold flash
- \* Temperature range— -40°C to +225°C.
- \* Vibration test 10 ~ 50 10 Hz swept in 60 seconds  
X,Y,Z direction 1 hour each direction  
Result: No dislodgement of the cell or damage  
No discontinuity over 10 micro-seconds.
- \* Soldering per JSTD020C Table 4.1
- \* Drop Test:  
Mounted on board and dropped 5 times from 1m high to concrete floor  
Result: NO dislodgement of the cell, No damage to the holders
- \* Shock Test: Half sine wave acceleration 150G. 6 micro-seconds.  
X,Y,Z direction 3 times each direction  
Result: No dislodgement of cell  
No damage to the holder.
- \* Temperature resistance test: 80°C 168 hours with battery on  
Result: Contact resistance— below 100m ohms  
Insulation resistance—over 100m ohms.
- \* Temperature shock test: -30°C ↔ 80°C 1hours 100cycles  
Contact resistance— below 100m ohms  
Insulation resistance—over 100m ohms  
Voltage resistance— No damage.
- \* ROHS COMPLIANT

Date	SYM	REVISION RECORD	AUTH	DR.	CK.
11/05/05	A	ADDED "ROHS COMPLIANT"	T.B.	B.S.	
2/11/06	B	ADDED PATENT NUMBER	T.B.	B.S.	
2/17/07	C	DIMENSION .140 WAS .138	T.B.	B.S.	
4/26/08	D	ADDED SOLDERING SPEC.	T.B.	B.S.	
6/27/08	E	MATERIAL WAS UL94V-0	T.B.	B.S.	
4/02/10	F	ADDED MARKINGS	T.B.	B.S.	



PCB SPACING

PATENT NO. 5,922,489

Tolerance (Except as noted)	 <b>Memory Protection Devices, Inc</b> 200 Broad Hollow Road, Farmingdale, New York 11735	Scale	Drawn By T.S.
decimal ±.5 (.020)		2=1	Approved By T.B.
Fractional ± .8 (.030)	Title COIN CELL HOLDER		
Angular ± 3°	Date 4/02/10	Drawing Number BA2032SM	