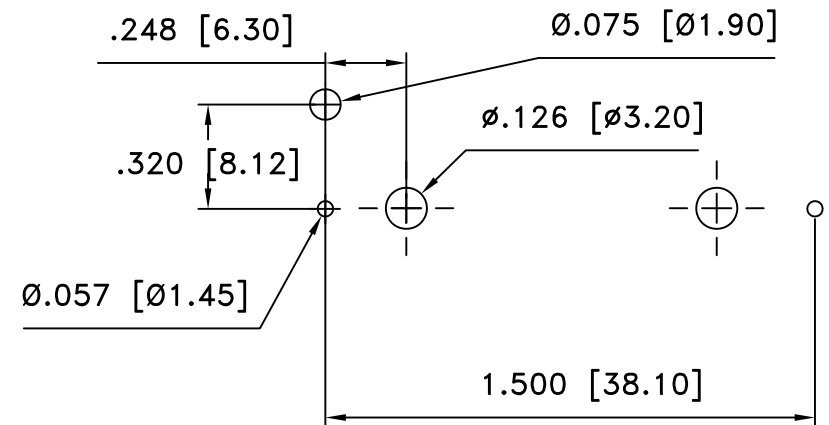
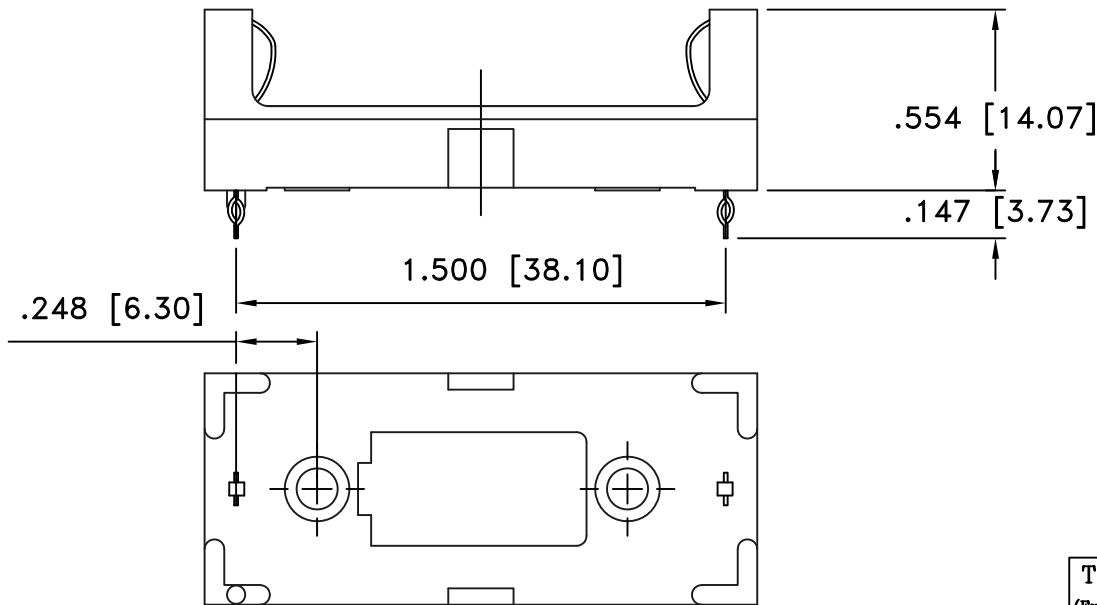
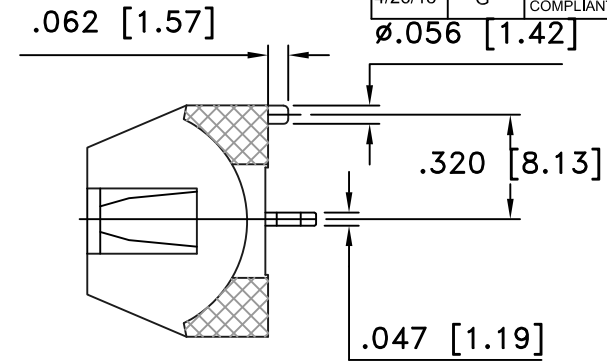
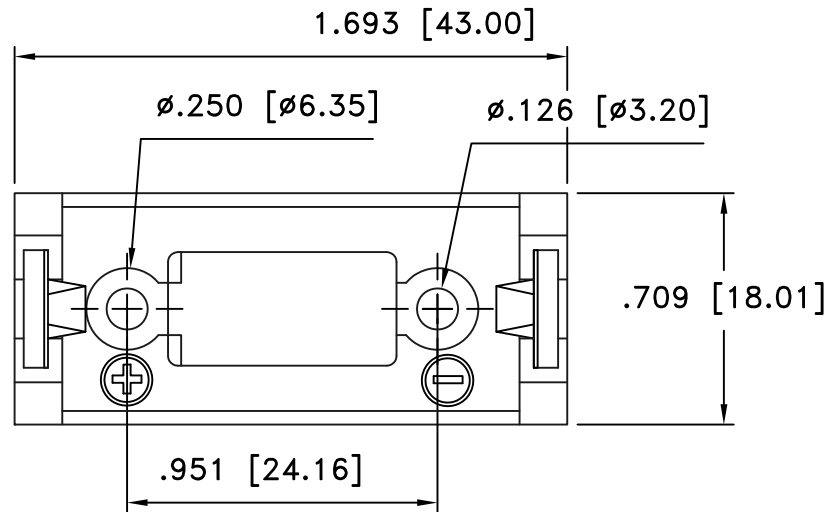



Date	SYM	REVISION RECORD	AUTH	DR.	CK.
7/14/07	E	DIM .047 WAS .039. DIM .057 WAS .047. DIM .075 WAS .094	T.B.	B.S.	
2/20/09	F	ADDED "+" "-" SIGNS	T.B.	B.S.	
4/26/13	G	UPDATED TO ROHS 2 COMPLIANT	T.B.	B.S.	



PC BOARD LAYOUT

**ROHS 2 COMPLIANT**

Tolerance (Except as noted)	 <b>Memory Protection Devices, Inc</b> 200 Broad Hollow Road, Farmingdale, New York 11735		
decimal $\pm .020$ (.5)		Scale 2=1	Drawn By T.S. Approved By T.B.
Fractional $\pm .030$ (.8)	Title 2/3A BATTERY HOLDER		
Angular $\pm 3^\circ$	Date 4/26/13	Drawing Number BC2/3AE	

TYP. EYELET	STIMPSON #A1737 .122 O.D. x .230 FLANGE
CONTACT	TYPE 301 STAINLESS STEEL .03 MM THICK .0005" THICK NICKEL PLATED
HOLDER	NYLON 66 25% G/F, FLAMMABILITY RATING, UL94V-0 (BLACK), FILE # E44716, TEMPERATURE RANGE: -40°C TO 200°C, HDT PER ISO 75-2: 250°C
PART	MATERIAL