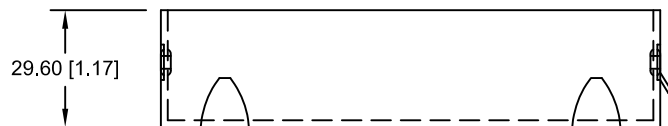
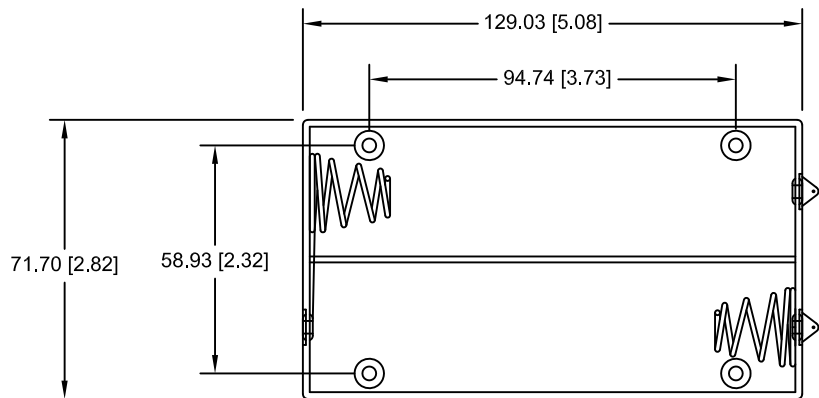


Date	SYM	REVISION RECORD	AUTH	DR.	CK.
12/14/12	A	REDRAWN IN AUTOCAD	T.B.	B.S.	
4/26/13	B	UPDATED TO ROHS 2 COMPLIANT	T.B.	B.S.	




NOTES:

SPECIFICATION:

1. MATERIAL:

HOUSING : BLACK POLYPROPYLENE  
 FLAMMABILITY RATING -UL94-HB, UL FILE NO. E216959  
 TEMPERATURE RANGE: -10°C to +100°C  
 RIVETS: BRASS, NICKLE PLTD.  
 SPRING: SPRING STEEL, NICKLE PLTD.  
 CONTACT RESISTANCE: UNDER 50mΩ FOR +/- CONTACTS PER  
 EIA-540J000  
 ROHS 2 COMPLIANT

Tolerance (Except as noted)	 <b>Memory Protection Devices, Inc</b> 200 Broad Hollow Road, Farmingdale, New York 11735	Scale	Drawn By B.S.
			Approved By T.B.
decimal ±.5 (.020)	Title 4 "D" CELL HOLDER WITH SOLDER LUGS		
Fractional ± .8 (.030)			
Angular ± 3°	Date 4/26/13	Drawing Number BC24DL	