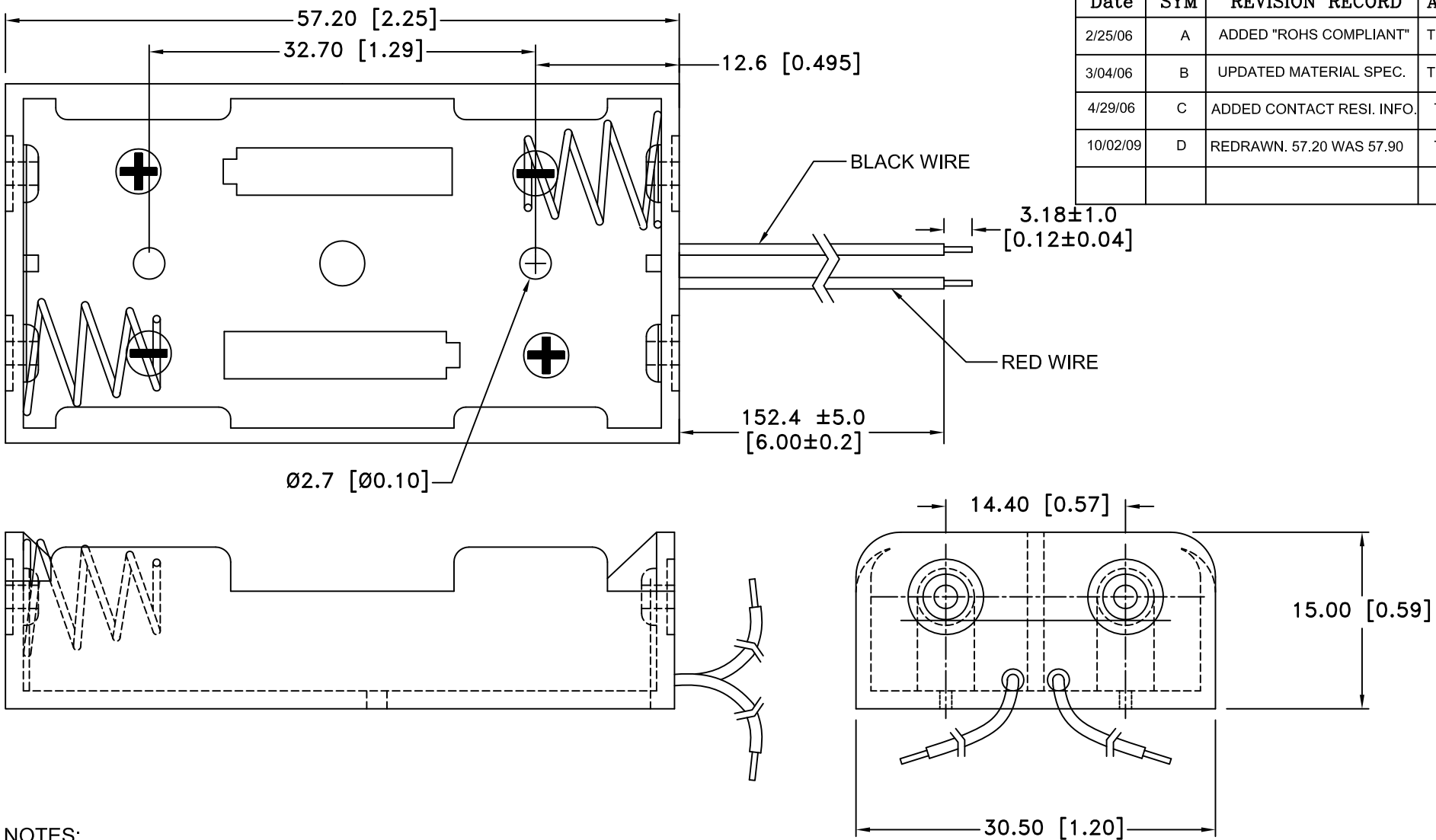


Date	SYM	REVISION RECORD	AUTH	DR.	CK.
2/25/06	A	ADDED "ROHS COMPLIANT"	T.B.	B.S.	
3/04/06	B	UPDATED MATERIAL SPEC.	T.B.	B.S.	
4/29/06	C	ADDED CONTACT RESI. INFO.	T.B.	B.S.	
10/02/09	D	REDRAWN. 57.20 WAS 57.90	T.B.	B.S.	




NOTES:

1. MATERIAL:

- HOUSING : BLACK POLYPROPYLENE
- FLAMMABILITY RATING -UL94-HB, UL FILE NO. E216959
- TEMPERATURE RANGE: -10°C to +100°C
- RIVETS: BRASS, NICKLE PLTD.
- SPRING: SPRING STEEL, NICKLE PLTD.
- WIRE: 26 AWG, UL1007, CSA, TR64, 300V, 80°C
- CONTACT RESISTANCE: UNDER 50mΩ FOR +/- CONTACTS PER EIA-540J000

ROHS COMPLIANT

Tolerance (Except as noted)	 Memory Protection Devices, Inc 200 Broad Hollow Road, Farmingdale, New York 11735	Scale	Drawn By B.S.
			Approved By T.B.
decimal ±.5 (.020)	Title TWO "AA" CELL HOLDER	Date 10/02/09	
Fractional ± .8 (.030)		Drawing Number BC2AAW	
Angular ± 3°			