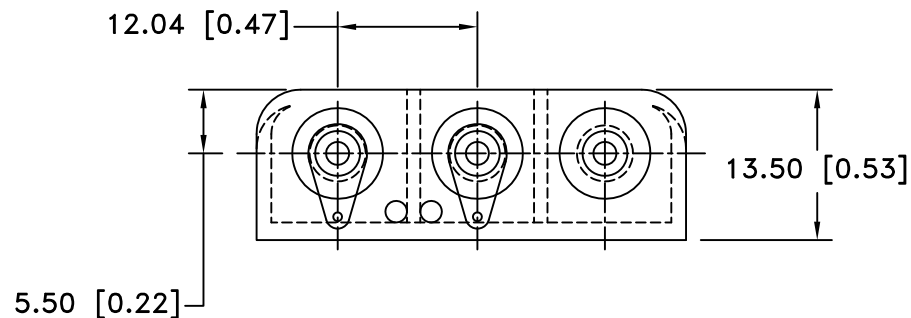
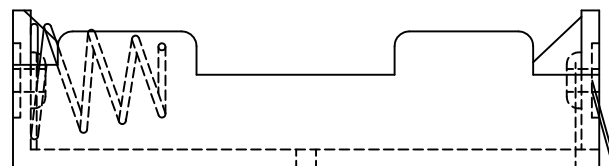
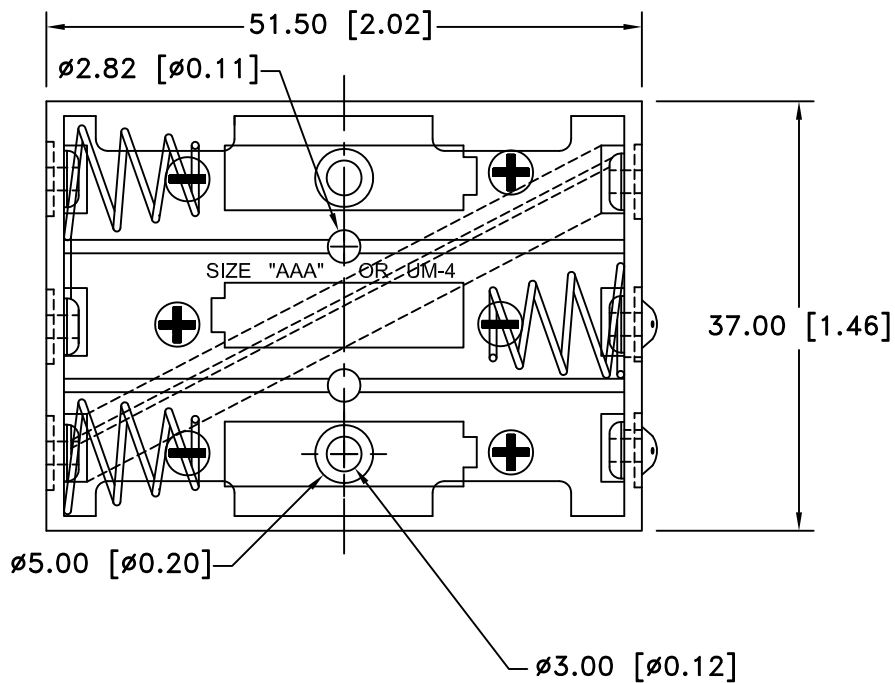


Date	SYM	REVISION RECORD	AUTH	DR.	CK.
6/24/06	A	ADDED "ROHS COMPLIANT" UPDATED MATERIAL NOTES	T.B.	B.S.	
10/07/06	B	REMOVED "ROHS COMPLIANT" UPDATED MATERIAL NOTES	T.B.	B.S.	
03/15/13	C	UPDATED TO ROHS 2 COMPLIANT	T.B.	B.S.	
04/05/13	D	UPDATED DIVIDING RIBS	T.B.	B.S.	




**NOTES:**

Plastic material - Polypropylene  
 Flammability Rating -UL94-HB, UL File NO. E216959  
 Temperature Range: -10°C to +100°C  
 Springs - Nickel Plated Spring Steel  
 Rivets - Brass, Nickel Plated  
 CONTACT RESISTANCE: UNDER 50mΩ FOR +/- CONTACTS PER  
 EIA-540J000  
 ROHS 2 COMPLIANT

**Mounting Instruction:**

Use 2-56 machine screws or eyelets 0.089" OD  
 by 0.15" flange stimpson GS-3 series or equivalent.  
 also adhesives and double sided tapes work well.

Tolerance (Except as noted)	 <b>Memory Protection Devices, Inc</b> 200 Broad Hollow Road, Farmingdale, New York 11735	Scale	Drawn By B.S.
			Approved By T.B.
decimal ±.5 (.020)	Title <b>THREE "AAA" CELL HOLDER</b>		
Fractional ± .8 (.030)		Date 04/05/13	Drawing Number BC3AAAL
Angular ± 3°			