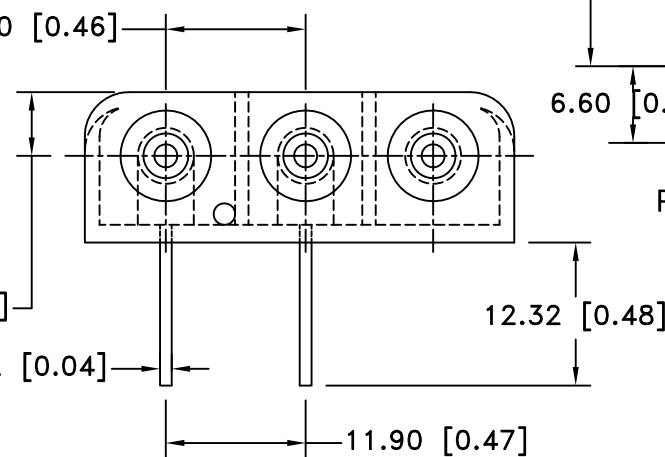
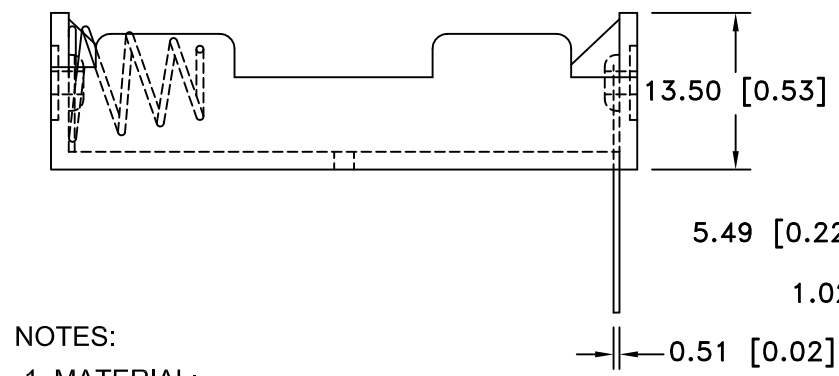
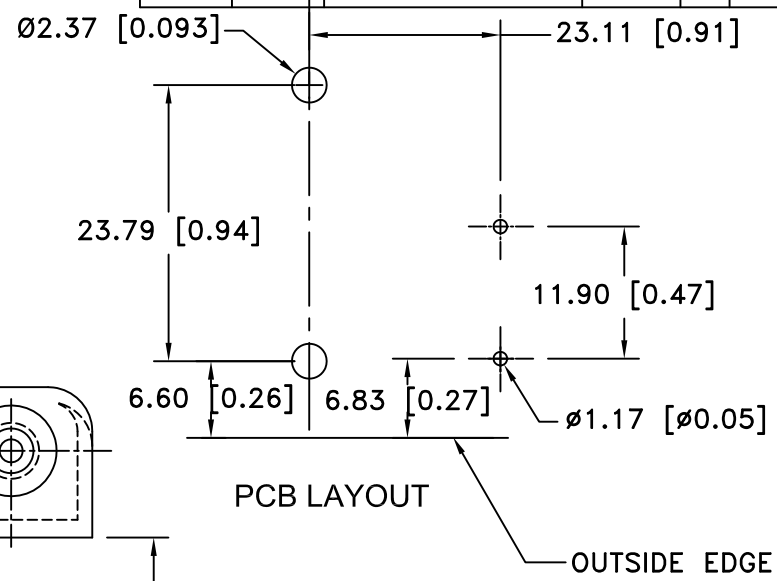
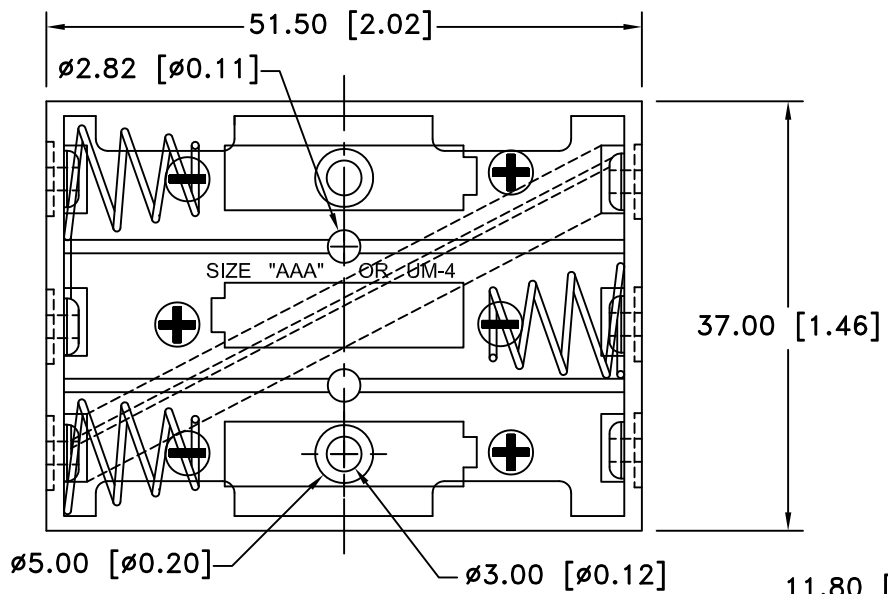



| Date | SYM | REVISION RECORD | AUTH | DR. | CK. |
|---------|-----|--|------|------|-----|
| 6/24/06 | A | ADDED "ROHS COMPLIANT" UPDATED MATERIAL NOTES | T.B. | B.S. | |
| 4/05/13 | B | UPDATED TO "ROHS 2 COMPLIANT" UPDATED DIVIDING RIBS | T.B. | B.S. | |
| | | | | | |
| | | | | | |



NOTES:
 1. MATERIAL:
 HOUSING : BLACK POLYPROPYLENE
 FLAMMABILITY RATING -UL94-HB, UL FILE NO. E216959
 TEMPERATURE RANGE: -10°C to +100°C
 RIVETS: BRASS, NICKLE PLATED.
 SPRING: SPRING STEEL, NICKLE PLATED.
 CONTACTS: SPRING STEEL, NICKLE PLATED.
 CONTACT RESISTANCE: UNDER 50mΩ FOR +/- CONTACTS PER
 EIA-540J000
 ROHS 2 COMPLIANT

MOUNTING INSTRUCTION:
 USE 2-56 MACHINE SCREWS OR EYELETS 0.089" OD
 BY 0.15" FLANGE STIMPSON GS-3 SERIES OR EQUIVALENT.
 ALSO ADHESIVES AND DOUBLE SIDED TAPES WORK WELL.

| | | | |
|--------------------------------|---|----------------------------|--|
| Tolerance (Except as noted) |  Memory Protection Devices, Inc 200 Broad Hollow Road, Farmingdale, New York 11735 | | |
| decimal ±.5 (.020) | Scale | Drawn By B.S. | |
| Fractional ± .8 (.030) | Title | THREE "AAA" CELL HOLDER | |
| Angular ± 3° | Date 4/05/13 | Drawing Number BC3AAAPC | |
| | | Approved By T.B. | |